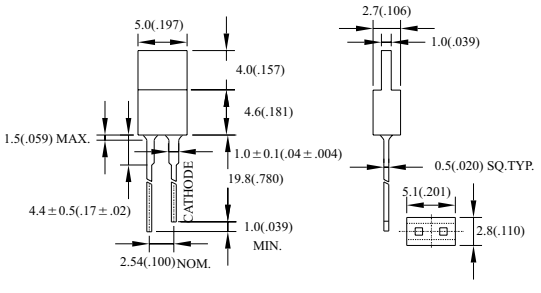
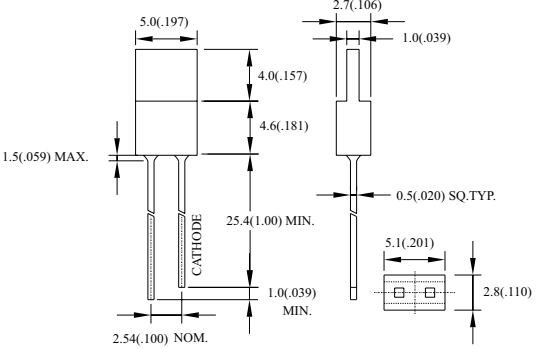
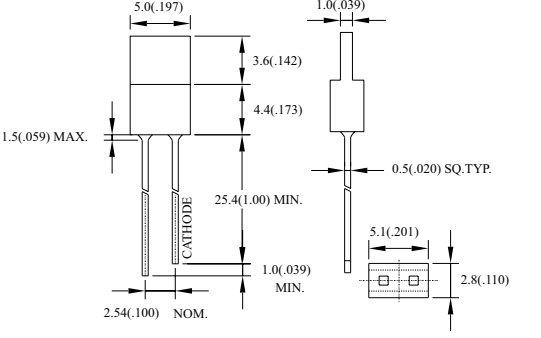
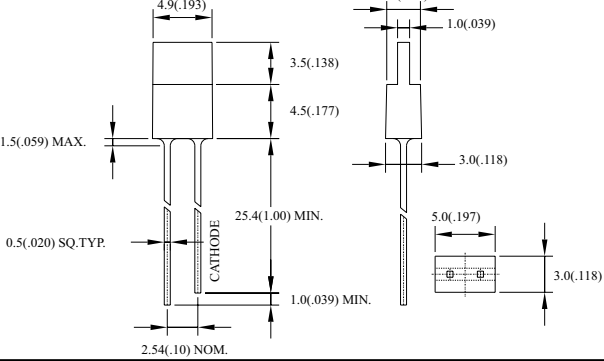
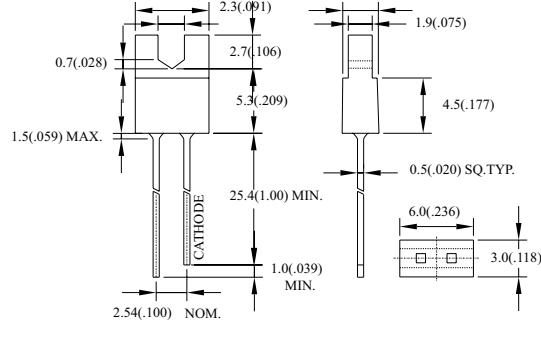
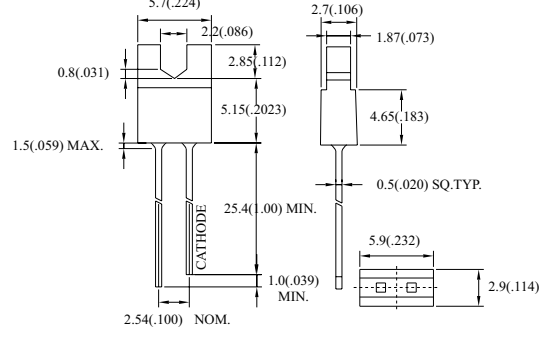
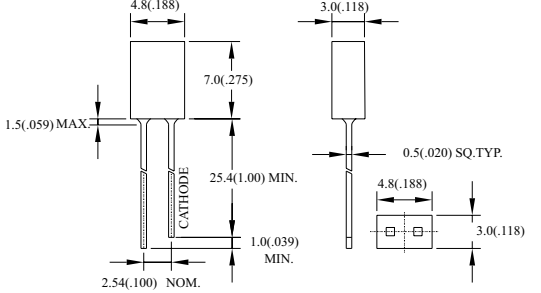
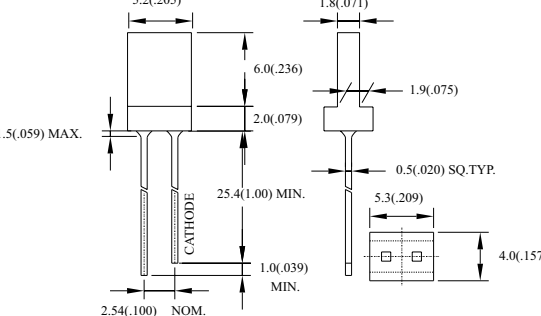




# STANDARD LED LAMPS(RECTANGULAR TYPES)

Package	Part No.	Chip		Lens Appearance	Absolute Maximum Ratings				Electro-optical Data(At 20mA)			Viewing Angle 2θ 1/2 (deg)	Drawing No.
		Material/ Emitted Color	Peak Wave Length λp (nm)		Δλ (nm)	Pd (mw)	If (mA)	Peak (mA)	Vf (V)		Iv (mcd)		
									Typ	Max	Typ.		
1.0x5.0x 8.6mm 0.8" Lead Rectangular	BL-R1115	GaAsP/GaAs/ Red	655	Red Diffused	40	80	40	200	1.7	2.0	0.4	120	L-089
	BL-R5115	GaP/GaP/ Bright Red	700		90	40	15	50	2.2	2.6	0.8		
	BL-R4515	GaAsP/GaP/ Hi-Eff Red	635		45	80	30	150	2.0	2.6	5.0		
	BL-R2115	GaP/GaP / Green	568	Green Diffused	30	80	30	150	2.2	2.6	5.0		
	BL-RX1115	GaAsP/GaP / Hi-Eff Green	568		30	80	30	150	2.2	2.6	8.0		
	BL-R3115	GaAsP/GaP/ Yellow	585	Yellow Diffused	35	80	30	150	2.1	2.6	7.0		
	BL-R4115	GaAsP/GaP / Orange	635	Orange Diffused	45	80	30	150	2.0	2.6	8.0		
1.0x5.0x 8.6mm 1.0" Lead Rectangular	BL-R1135	GaAsP/GaAs/Red	655	Red Diffused	40	80	40	200	1.7	2.0	0.8	120	L-090
	BL-R5135	GaP/GaP/ Bright Red	700		90	40	15	50	2.2	2.6	1.5		
	BL-R4535	GaAsP/GaP/ Hi-Eff Red	635		45	80	30	150	2.0	2.6	8.0		
	BL-R2135	GaP/GaP / Green	568	Green Diffused	30	80	30	150	2.2	2.6	8.0		
	BL-RX1135	GaAsP/GaP / Hi-Eff Green	568		30	80	30	150	2.2	2.6	10.0		
	BL-R3135	GaAsP/GaP/ Yellow	585	Yellow Diffused	35	80	30	150	2.1	2.6	7.0		
	BL-R4135	GaAsP/GaP / Orange	635	Orange Diffused	45	80	30	150	2.0	2.6	8.0		
1.0x5.0x 8.0mm 1.0" Lead Rectangular	BL-R1135A	GaAsP/GaAs/ Red	655	Red Diffused	40	80	40	200	1.7	2.0	0.8	120	L-091
	BL-R5135A	GaP/GaP/ Bright Red	700		90	40	15	50	2.2	2.6	1.5		
	BL-R4535A	GaAsP/GaP/ Hi-Eff Red	635		45	80	30	150	2.0	2.6	8.0		
	BL-R2135A	GaP/GaP / Green	568	Green Diffused	30	80	30	150	2.2	2.6	8.0		
	BL-RX1135A	GaAsP/GaP / Hi-Eff Green	568		30	80	30	150	2.2	2.6	10.0		
	BL-R3135A	GaAsP/GaP/ Yellow	585	Yellow Diffused	35	80	30	150	2.1	2.6	7.0		
	BL-R4135A	GaAsP/GaP / Orange	635	Orange Diffused	45	80	30	150	2.0	2.6	8.0		
1.0x4.9x 8.0mm 1.0" Lead Rectangular	BL-R1135B	GaAsP/GaAs/Red	655	Red Diffused	40	80	40	200	1.7	2.0	0.8	120	L-092
	BL-R5135B	GaP/GaP/ Bright Red	700		90	40	15	50	2.2	2.6	1.5		
	BL-R4535B	GaAsP/GaP/ Hi-Eff Red	635		45	80	30	150	2.0	2.6	8.0		
	BL-R2135B	GaP/GaP / Green	568	Green Diffused	30	80	30	150	2.2	2.6	8.0		
	BL-RX1135B	GaAsP/GaP / Hi-Eff Green	568		30	80	30	150	2.2	2.6	10.0		
	BL-R3135B	GaAsP/GaP/ Yellow	585	Yellow Diffused	35	80	30	150	2.1	2.6	7.0		
	BL-R4135B	GaAsP/GaP / Orange	635	Orange Diffused	45	80	30	150	2.0	2.6	8.0		
1.9x6.0x 8.0mm 1.0" Lead Rectangular	BL-R1136	GaAsP/GaAs/ Red	655	Red Diffused	40	80	40	200	1.7	2.0	0.4	120	L-093
	BL-R5136	GaP/GaP/ Bright Red	700		90	40	15	50	2.2	2.6	0.6		
	BL-R4536	GaAsP/GaP/ Hi-Eff Red	635		45	80	30	150	2.0	2.6	4.0		
	BL-R2136	GaP/GaP / Green	568	Green Diffused	30	80	30	150	2.2	2.6	4.0		
	BL-R3136	GaAsP/GaP/ Yellow	585		Yellow Diffused	35	80	30	150	2.1	2.6		
	BL-R4136	GaAsP/GaP/ Orange	635	Orange Diffused	25	80	30	150	2.0	2.6	4.0		
	BL-R9136	GaP/GaP/ Pure Green	555	Green Diffused	30	80	30	150	2.2	2.6	0.4		
187x5.7x 6.8mm 1.0" Lead Rectangular	BL-R1136A	GaAsP/GaAs/ Red	655	Red Diffused	40	80	40	200	1.7	2.0	0.4	120	L-094
	BL-R5136A	GaP/GaP/ Bright Red	700		90	40	15	50	2.2	2.6	0.6		
	BL-R4536A	GaAsP/GaP/ Hi-Eff Red	635		45	80	30	150	2.0	2.6	4.0		
	BL-R2136A	GaP/GaP/ Green	568	Green Diffused	30	80	30	150	2.2	2.6	4.0		
	BL-R3136A	GaAsP/GaP/ Yellow	585		Yellow Diffused	35	80	30	150	2.1	2.6		
	BL-R4136A	GaAsP/GaP / Orange	635	Orange Diffused	25	80	30	150	2.0	2.6	4.0		
	BL-R9136A	GaP/GaP/Pure Green	555	Green Diffused	30	80	30	150	2.2	2.6	0.4		
3.0x4.8x 7.0mm 1.0" Lead Rectangular	BL-R1137	GaAsP/GaAs/ Red	655	Red Diffused	40	80	40	200	1.7	2.0	0.4	120	L-095
	BL-R5137	GaP/GaP/ Bright Red	700		90	40	15	50	2.2	2.6	0.6		
	BL-R4537	GaAsP/GaP/ Hi-Eff Red	635		45	80	30	150	2.0	2.6	4.0		
	BL-R2137	GaP/GaP / Green	568	Green Diffused	30	80	30	150	2.2	2.6	4.0		
	BL-R3137	GaAsP/GaP/ Yellow	585		Yellow Diffused	35	80	30	150	2.1	2.6		
	BL-R4137	GaAsP/GaP/ Orange	635	Orange Diffused	25	80	30	150	2.0	2.6	4.0		
1.8x5.2 8.0mm 1.0" Lead Rectangular	BL-R1138	GaAsP/GaAs/ Red	655	Red Diffused	40	80	40	200	1.7	2.0	0.6	120	L-096
	BL-R5138	GaP/GaP/ Bright Red	700		90	40	15	50	2.2	2.6	1.0		
	BL-R4538	GaAsP/GaP/ Hi-Eff Red	635		45	80	30	150	2.0	2.6	7.0		
	BL-R2138	GaP/GaP / Green	568	Green Diffused	30	80	30	150	2.2	2.6	7.0		
	BL-R3138	GaAsP/GaP/ Yellow	585		Yellow Diffused	35	80	30	150	2.1	2.6		

Remark : 1.Hi-Eff Red / High-Efficiency Red.  
 2.Trans / Transparent.  
 3.2θ 1/2 The off-axis angle at which the luminous intensity is half the axial luminous intensity.

L-089 BL-Rxx15 Series	L-090 BL-Rxx35 Series
	
L-091 BL-Rxx35A Series	L-092 BL-Rxx35B Series
	
L-093 BL-Rxx36 Series	L-094 BL-Rxx36A Series
	
L-095 BL-Rxx37 Series	L-096 BL-Rxx38 Series
	

Notes : 1.All Dimensions are in millimeters (inches).  
2.Tolerance is  $\pm 0.25\text{mm}$  (.010").