

DATA SHEET

SA57004-XX

Low-noise 150 mA linear CMOS regulator

Product data
Supersedes data of 2001 Aug 01
File under Integrated Circuits, Standard Analog

2001 Dec 17

Low-noise 150 mA linear CMOS regulator

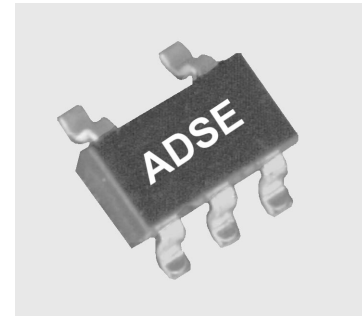
SA57004-XX

GENERAL DESCRIPTION

The SA57004 is a 150 mA, fixed output voltage regulator designed to provide low noise in battery powered and portable applications. The output voltage is preset to voltages in the range of 1.8 to 5.0 Volts.

Designed with CMOS process, the SA57004 achieves unequalled performance in specifications critical to battery-powered designs such as low supply-current, low power consumption, small size, fast dynamic response to line and load, precision output, and so on. Each of these regulators consists of an internal voltage reference, an error amplifier, resistors, a current limiting circuit and a chip enable circuit.

The SA57004 series are housed in the SOT23-5 5-lead package.



FEATURES

- Very low consumption current:
 - 1.5 μA typ. (when not loaded, excluding CE current),
 - 0.1 μA typ. (when off)
- High precision output voltage: $\pm 2\%$
- Output current capacity: 150 mA
- Good line regulation: 0.05%/V typ.
- Low temperature drift co-efficient to V_{OUT} : ± 100 ppm/ $^{\circ}\text{C}$
- Built-in current limit circuit: 60 mA typ.
- Wide operating temperature range: -30 to $+85$ $^{\circ}\text{C}$
- Wide preset output voltage range: 1.8 to 5.0 V

APPLICATIONS

- Cellular phones, cordless phones and 2-way radios
- Electronic notebooks, PDAs and palmtop computers
- Cameras, VCRs and camcorders
- PCMCIA cards
- Modems
- Battery-powered or hand-held instruments

SIMPLIFIED SYSTEM DIAGRAM

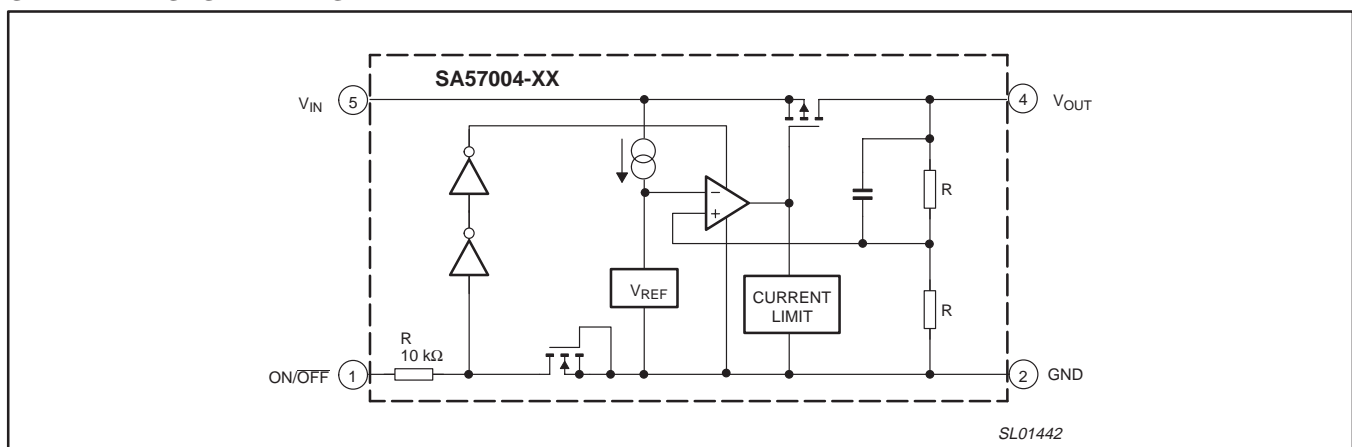


Figure 1. Simplified system diagram.

Low-noise 150 mA linear CMOS regulator

SA57004-XX

ORDERING INFORMATION

TYPE NUMBER	PACKAGE		TEMPERATURE RANGE
	NAME	DESCRIPTION	
SA57004-XXGW	SOT23-5, SOT25, SO5	plastic small outline package; 5 leads (see dimensional drawing)	-30 to +85 °C

NOTE:

The device has six voltage output options, indicated by the **XX** on the Type Number.

XX	VOLTAGE (Typical)
18	1.8 V
28	2.8 V
30	3.0 V
32	3.2 V
33	3.3 V
50	5.0 V

Part number marking

Each package is marked with a four letter code. The first three letters designate the product. The fourth letter, represented by 'x', is a date tracking code.

Part number	Marking
SA57004-18GW	A D N x
SA57004-28GW	A D P x
SA57004-30GW	A D R x
SA57004-32GW	A D S x
SA57004-33GW	A D T x
SA57004-50GW	A D U x

PIN CONFIGURATION

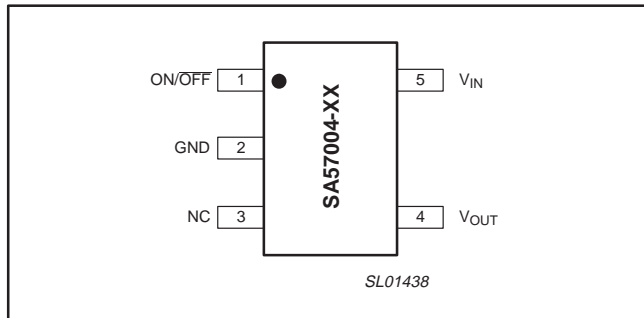


Figure 2. Pin configuration.

PIN DESCRIPTION

PIN	SYMBOL	DESCRIPTION
1	ON/OFF	On/Off control pin. Connect CE with V_{IN} if not used. CE = LOW, output OFF CE = HIGH, output ON
2	GND	Device ground.
3	NC	No connection.
4	V_{OUT}	Voltage output.
5	V_{IN}	Voltage input.

MAXIMUM RATINGS

SYMBOL	PARAMETER	MIN.	MAX.	UNIT
V_{IN}	Power supply voltage	-0.3	9.0	V
I_O	Output current	-	150	mA
T_{oper}	Operating temperature	-30	+85	°C
T_j	Junction temperature	-	+125	°C
$T_{j(max)}$	Maximum junction temperature	-	+150	°C
T_{stg}	Storage temperature	-40	+125	°C
P	Power dissipation	-	150	mW

Low-noise 150 mA linear CMOS regulator

SA57004-XX

ELECTRICAL CHARACTERISTICS $T_{amb} = 25\text{ }^{\circ}\text{C}$; $V_{IN} = V_{CE}$; unless otherwise specified.

SYMBOL	PARAMETER	CONDITIONS	PART #	MIN.	TYP.	MAX.	UNIT
I_{SS}	quiescent current		all	–	1.5	3.0	μA
$I_{standby}$	standby current		all	–	0.1	1.0	μA
$\Delta V_{OUT}/\Delta V_{IN}$	line regulation		all	0	0.05	0.2	%/V
V_{IN}	input voltage		all	–	–	8.0	V
$\Delta V_{OUT}/\Delta V_{OPT}$	V_{OUT} temperature coefficient		all	–	± 100	–	ppm/ $^{\circ}\text{C}$
I_{LIM}	short current		all	–	60	–	mA
I_{CE}	CE terminal current		all	–	0.1	1.0	μA
V_{CEH}	CE HIGH voltage		all	$V_{IN} - 1$	–	V_{IN}	V
V_{CEL}	CE LOW voltage		all	–	–	0.25	V
RR	Ripple rejection	$f = 1\text{ kHz}$; $V_{IN} = 5\text{ }V_{DC}$; $0.5\text{ }V_{p-p}$; $I_{OUT} = 10\text{ mA}$	all	–	40	–	dB
V_{OUT}	output voltage	$V_{IN} - V_{OUT} = 2.0\text{ V}$; $10\text{ }\mu\text{A} \leq I_{OUT} \leq 10\text{ mA}$	–18	1.76	1.8	1.84	V
			–28	2.74	2.8	2.86	V
			–30	2.94	3.0	3.06	V
			–32	3.14	3.2	3.26	V
			–33	3.23	3.3	3.37	V
			–50	4.9	5.0	5.1	V
I_{OUT}	output current	$V_{IN} - V_{OUT} = 2.0\text{ V}$	–18	35	–	–	mA
			–28	35	–	–	mA
			–30	50	–	–	mA
			–32	50	–	–	mA
			–33	50	–	–	mA
			–50	80	–	–	mA
$\Delta V_{OUT}/\Delta I_{OUT}$	load regulation	$V_{IN} - V_{OUT} = 2.0\text{ V}$; $10\text{ }\mu\text{A} \leq I_{OUT} \leq 10\text{ mA}$	–18	–	30	45	mV
			–28	–	30	45	mV
			–30	–	40	60	mV
			–32	–	40	60	mV
			–33	–	40	60	mV
			–50	–	60	90	mV
V_{DIFF}	input/output differential voltage	$I_{OUT} = 1.0\text{ mA}$	–18	–	60	90	mV
			–28	–	40	60	mV
			–30	–	40	60	mV
			–32	–	35	55	mV
			–33	–	35	55	mV
			–50	–	25	40	mV

Low-noise 150 mA linear CMOS regulator

SA57004-XX

TYPICAL PERFORMANCE CURVES

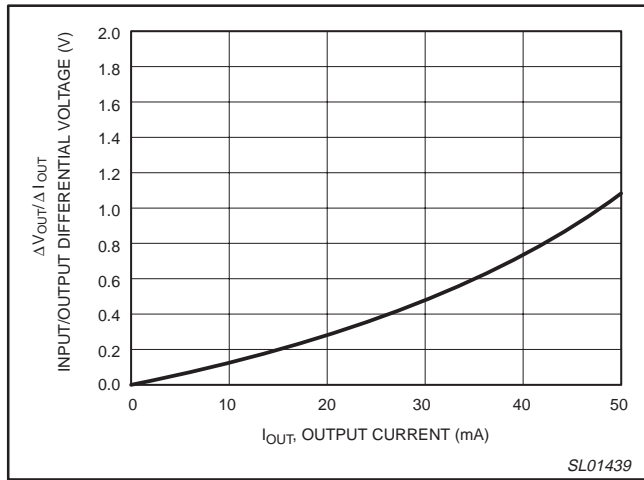


Figure 3. Input/output differential voltage.

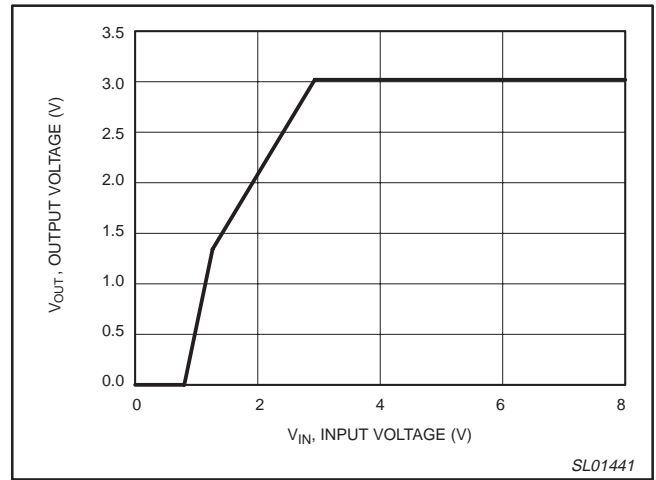


Figure 4. Line regulation.

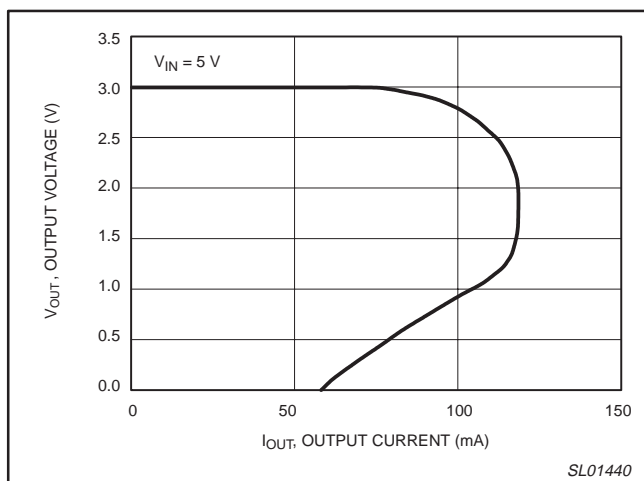


Figure 5. Load regulation.

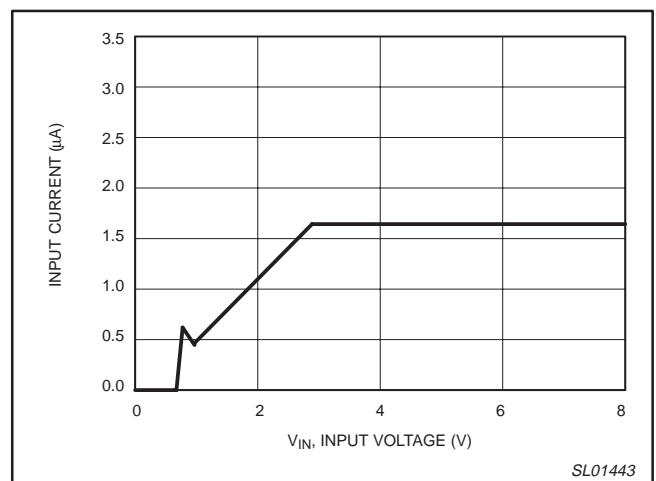


Figure 6. Input current.

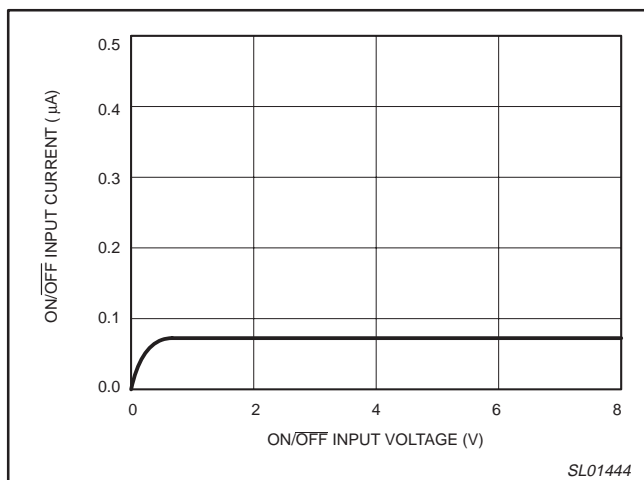


Figure 7. ON/OFF current versus ON/OFF input voltage.

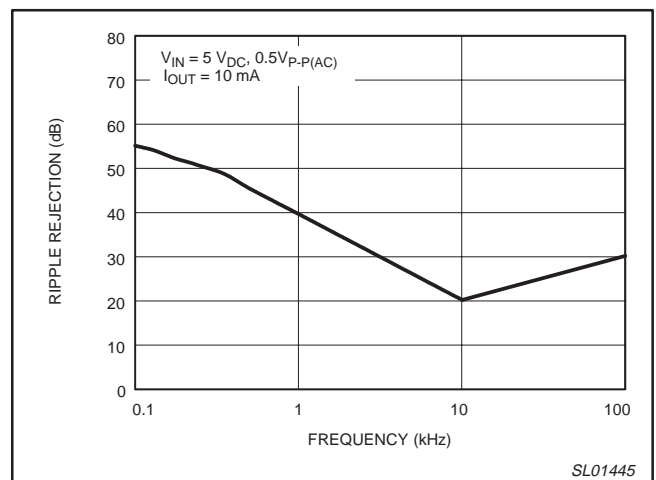


Figure 8. Ripple rejection.

Low-noise 150 mA linear CMOS regulator

SA57004-XX

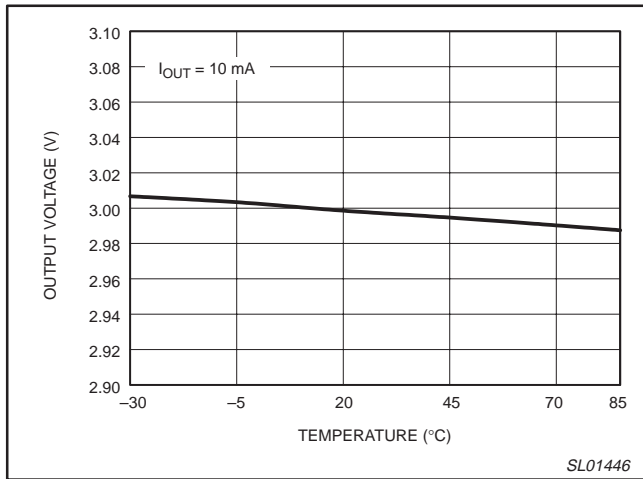


Figure 9. Typical output voltage versus temperature.

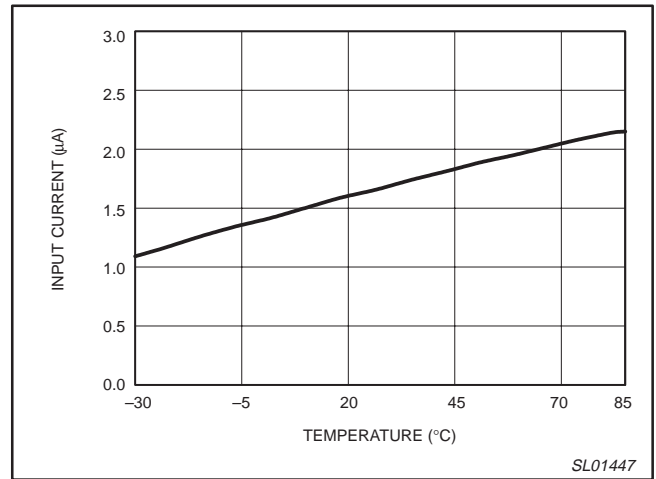


Figure 10. Input current versus temperature.

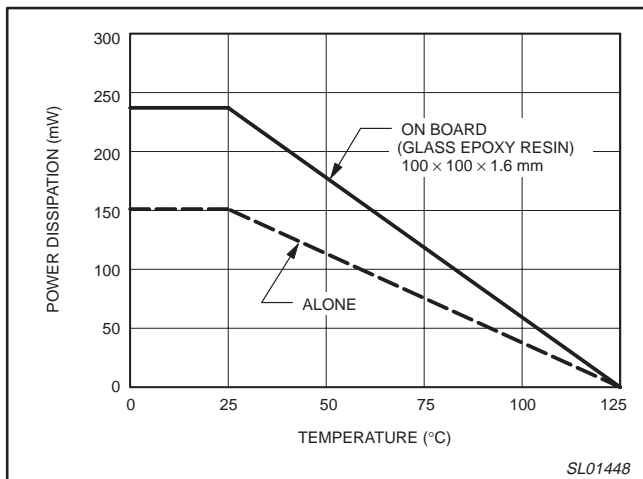


Figure 11. Power dissipation.

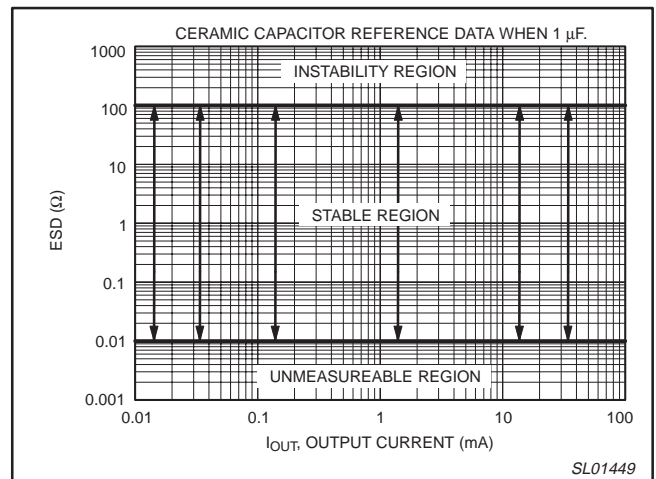


Figure 12. ESR stable region.

Low-noise 150 mA linear CMOS regulator

SA57004-XX

TEST CIRCUITS

In all cases, $C_{IN}, C_{OUT} \geq 1 \mu F$.

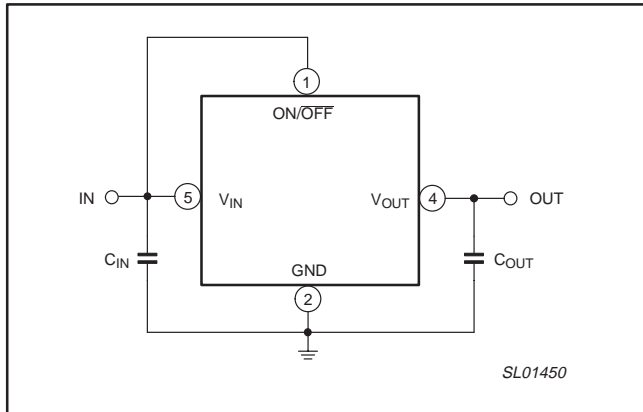


Figure 13. Basic test circuit.

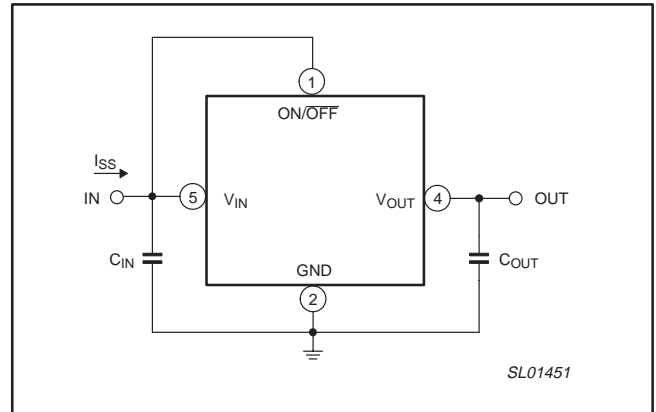


Figure 14. Supply current.

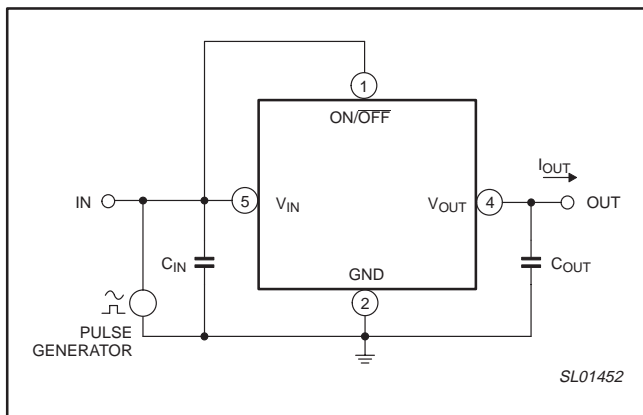


Figure 15. Ripple rejection (line transient response).

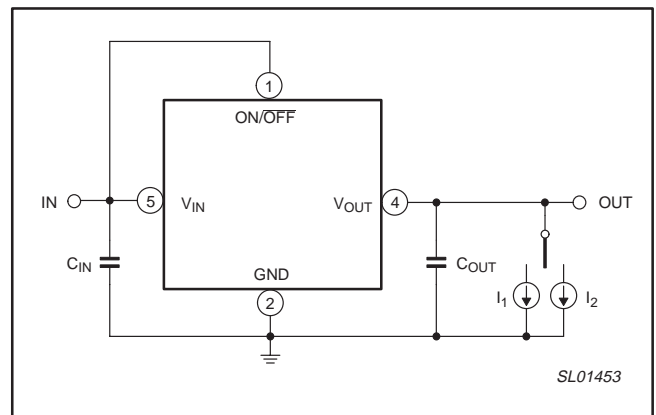


Figure 16. Load transient response.

Low-noise 150 mA linear CMOS regulator

SA57004-XX

TECHNICAL DISCUSSION

As illustrated in Figure 17, the SA57004-XX consists of a band-gap voltage reference, an error amplifier, P-channel pass transistor, current limit circuit and an internal feedback voltage divider. The output voltage is fed back through an internal resistor voltage divider connected to the V_{OUT} pin.

The reference is connected to the error amplifier's inverting input. The error amplifier compares the reference with the feedback voltage and amplifies the difference. If the feedback voltage is lower than the reference voltage, the pass transistor's gate is pulled lower,

which allows more current to pass to the output and increase the output voltage. On the other hand, if the feedback voltage is too high the pass transistor gate is pulled up, allowing less current to pass to the output, resulting a decrease in output voltage.

The current-limiter monitors and controls the pass-transistor's gate voltage, limiting the output current to its specified maximum value. Thus it can withstand a short-circuited output for an indefinite amount of time without damaging the part.

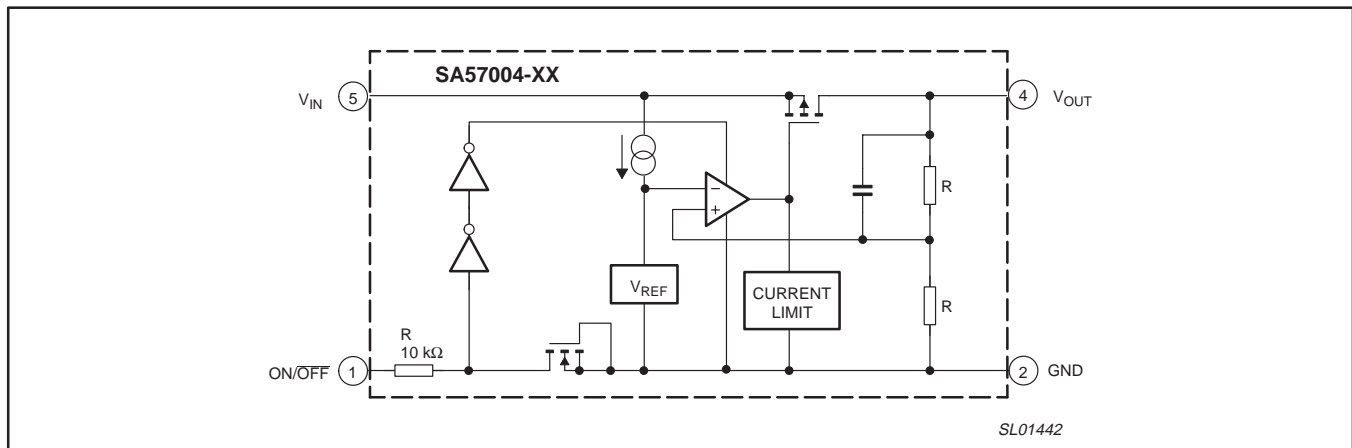


Figure 17. Functional diagram.

APPLICATION INFORMATION

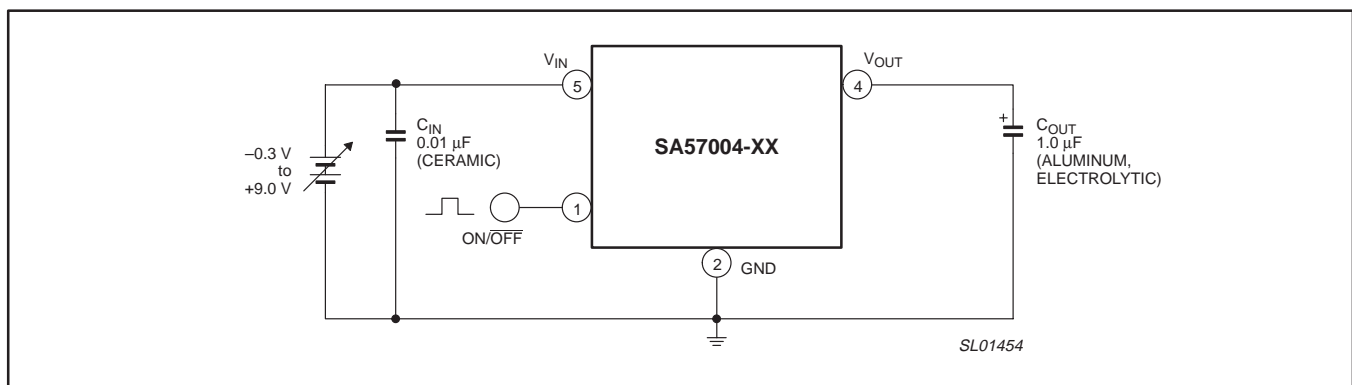


Figure 18. Typical application circuit.

The following points must be considered for good performance from these devices:

Input capacitor: An input capacitor of $\geq 1 \mu\text{F}$ is required between the SA57004-XX input and the ground (the amount of capacitance may be increased without limit).

This capacitor must be located as close as possible to V_{IN} or GND pin (not more than 1 cm) and returned to a clean analog ground. Any good quality ceramic, tantalum or film capacitor will work.

Output capacitor: Phase compensation is made for securing stable operation even if the load current varies. For this reason, an output capacitor with good frequency characteristics is needed. Set it as

close to the circuit as possible and make the wiring as short as possible.

The value of the output capacitance must be at least $1 \mu\text{F}$. Also it must have the ESR (Equivalent Series Resistance) value within the stable range shown in Figure 12, 'ESR stable region'.

ON/OFF (Chip Enable) pin: The ON/OFF pin must be actively terminated. If the function is not to be used, the pin should be tied to V_{IN}.

Line impedance of VDD and GND: The V_{IN} and GND lines should be sufficiently wide. Otherwise, when the impedance of these lines is high, there is a chance to pick up noise or malfunction.

Low-noise 150 mA linear CMOS regulator

SA57004-XX

PACKING METHOD

The SA57004-XX is packed in reels, as shown in Figure 19.

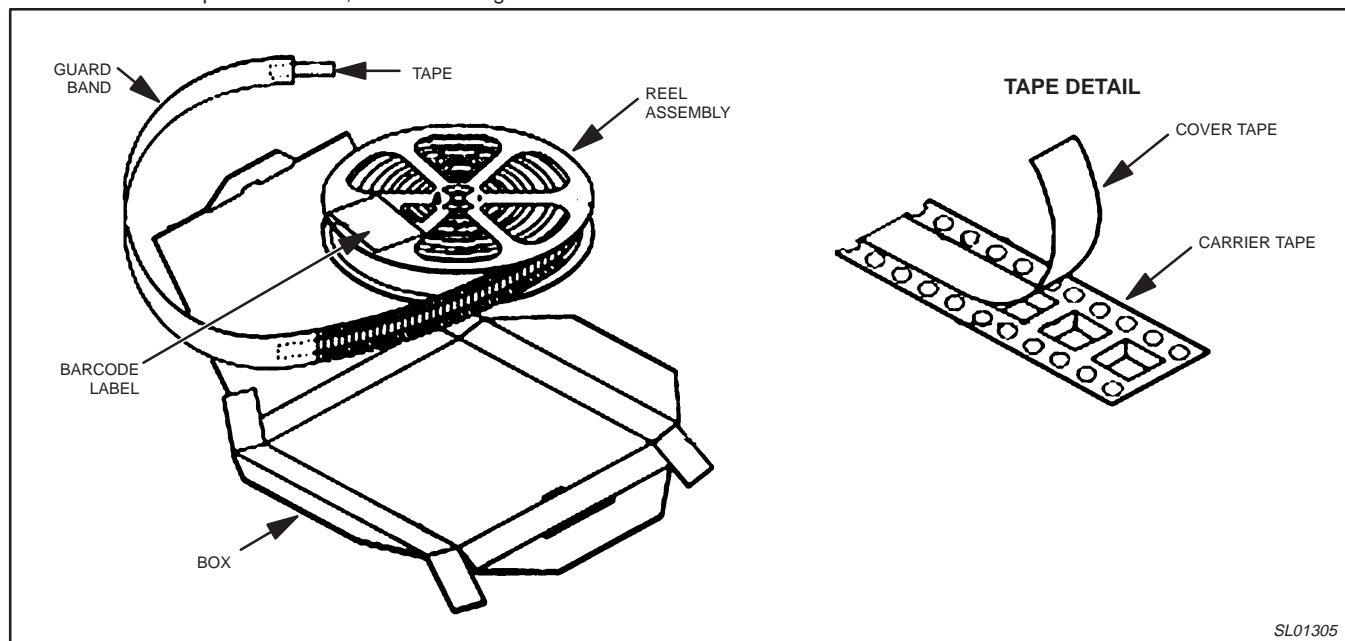
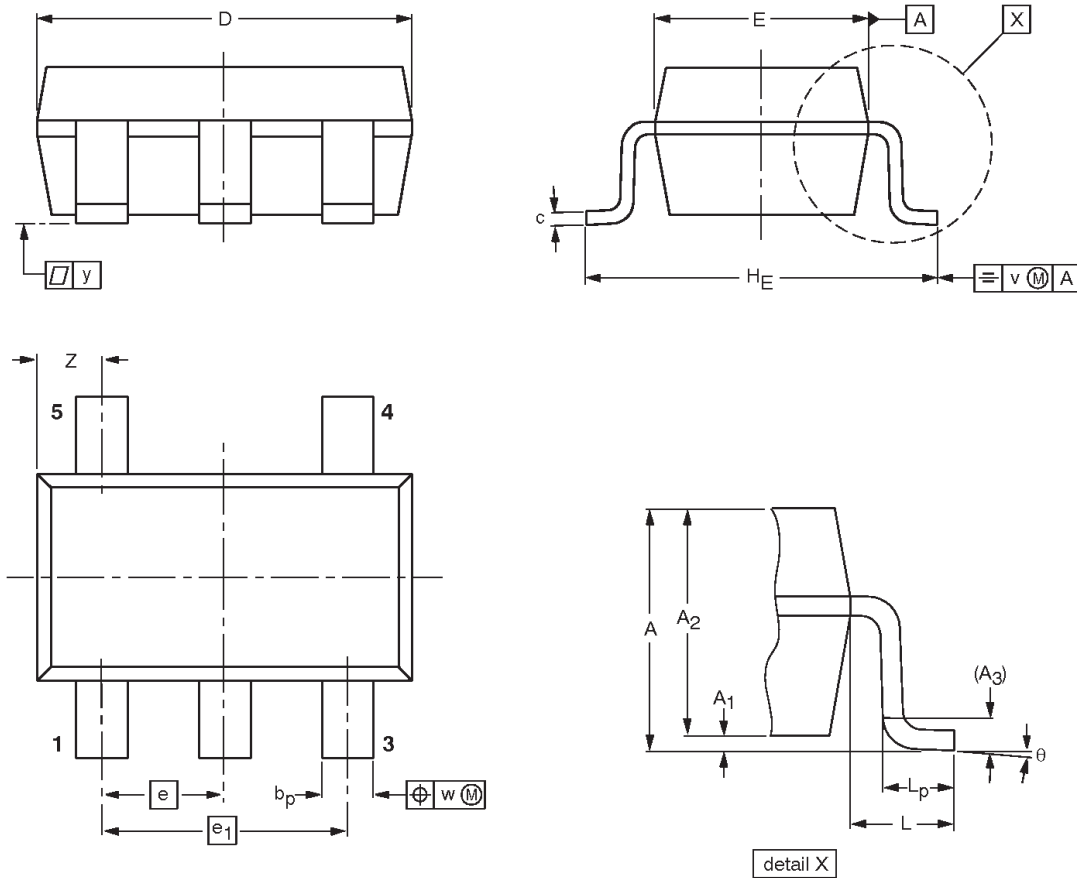


Figure 19. Tape and reel packing method

Low-noise 150 mA linear CMOS regulator

SA57004-XX

SOT23-5: plastic small outline package; 5 leads; body width 1.5 mm



DIMENSIONS (mm are the original dimensions)

UNIT	A max.	A ₁	A ₂	A ₃	b _p	c	D ⁽¹⁾	E ⁽¹⁾	e	e ₁	H _E	L	L _p			y	θ
mm	1.35	0.05 0.15	1.2 1.0	0.025	0.55 0.41	0.22 0.08	3.00 2.70	1.70 1.50	0.95	1.90	3.00 2.60	0.60	0.55 0.35			0.1	8° 0°

Note

1. Plastic or metal protrusions of 0.25 mm maximum per side are not included.

OUTLINE VERSION	REFERENCES			
	IEC	JEDEC	EIAJ	
		MO-178		

Low-noise 150 mA linear CMOS regulator

SA57004-XX

NOTES

Low-noise 150 mA linear CMOS regulator

SA57004-XX

Data sheet status

Data sheet status ^[1]	Product status ^[2]	Definitions
Objective data	Development	This data sheet contains data from the objective specification for product development. Philips Semiconductors reserves the right to change the specification in any manner without notice.
Preliminary data	Qualification	This data sheet contains data from the preliminary specification. Supplementary data will be published at a later date. Philips Semiconductors reserves the right to change the specification without notice, in order to improve the design and supply the best possible product.
Product data	Production	This data sheet contains data from the product specification. Philips Semiconductors reserves the right to make changes at any time in order to improve the design, manufacturing and supply. Changes will be communicated according to the Customer Product/Process Change Notification (CPCN) procedure SNW-SQ-650A.

[1] Please consult the most recently issued data sheet before initiating or completing a design.

[2] The product status of the device(s) described in this data sheet may have changed since this data sheet was published. The latest information is available on the Internet at URL <http://www.semiconductors.philips.com>.

Definitions

Short-form specification — The data in a short-form specification is extracted from a full data sheet with the same type number and title. For detailed information see the relevant data sheet or data handbook.

Limiting values definition — Limiting values given are in accordance with the Absolute Maximum Rating System (IEC 60134). Stress above one or more of the limiting values may cause permanent damage to the device. These are stress ratings only and operation of the device at these or at any other conditions above those given in the Characteristics sections of the specification is not implied. Exposure to limiting values for extended periods may affect device reliability.

Application information — Applications that are described herein for any of these products are for illustrative purposes only. Philips Semiconductors make no representation or warranty that such applications will be suitable for the specified use without further testing or modification.

Disclaimers

Life support — These products are not designed for use in life support appliances, devices or systems where malfunction of these products can reasonably be expected to result in personal injury. Philips Semiconductors customers using or selling these products for use in such applications do so at their own risk and agree to fully indemnify Philips Semiconductors for any damages resulting from such application.

Right to make changes — Philips Semiconductors reserves the right to make changes, without notice, in the products, including circuits, standard cells, and/or software, described or contained herein in order to improve design and/or performance. Philips Semiconductors assumes no responsibility or liability for the use of any of these products, conveys no license or title under any patent, copyright, or mask work right to these products, and makes no representations or warranties that these products are free from patent, copyright, or mask work right infringement, unless otherwise specified.

Philips Semiconductors
811 East Arques Avenue
P.O. Box 3409
Sunnyvale, California 94088-3409
Telephone 800-234-7381

© Copyright Philips Electronics North America Corporation 2002
All rights reserved. Printed in U.S.A.

Date of release: 01-02

Document order number:

9397 750 09272

Let's make things better.