



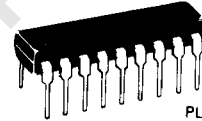
MOTOROLA

MCM2114

MOS

(N-CHANNEL, SILICON-GATE)

4096-BIT STATIC RANDOM ACCESS MEMORY



**P SUFFIX
PLASTIC PACKAGE
CASE 707**

4096-BIT STATIC RANDOM ACCESS MEMORY

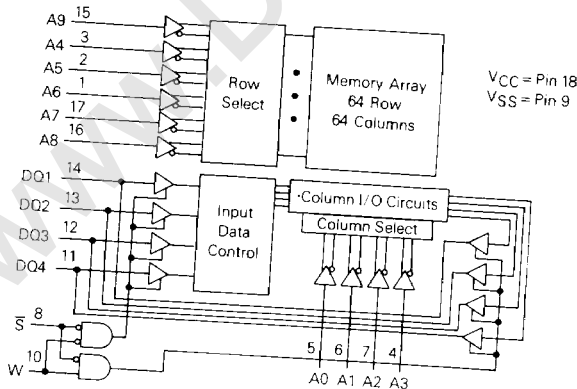
The MCM2114 is a 4096-bit random access memory fabricated with high density, high reliability N-channel silicon-gate technology. For ease of use, the device operates from a single power supply, is directly compatible with TTL, and requires no clocks or refreshing because of fully static operation. Data access is particularly simple, since address setup times are not required. The output data has the same polarity as the input data.

The MCM2114 is designed for memory applications where simple interfacing is the design objective. The MCM2114 is assembled in 18-pin dual-in-line packages with the industry standard pin-out. A separate chip select (\bar{S}) lead allows easy selection of an individual package when the three-state outputs are OR-tied.

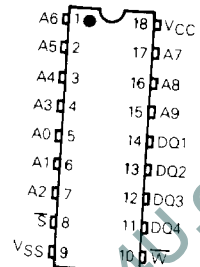
- Single +5 Volt Supply
- 1024 Words by 4-Bit Organization
- Fully Static: Cycle Time = Access Time
- No Clock or Timing Strobe Required
- Maximum Access Time
 - 200 ns — MCM2114-20
 - 250 ns — MCM2114-25
 - 300 ns — MCM2114-30
 - 450 ns — MCM2114-45
- Power Dissipation: 100 mA Maximum (Active)
- Common Data Input and Output
- Three-State Outputs for OR-Ties
- Industry Standard 18-Pin Configuration
- Fully TTL Compatible

SRAM

BLOCK DIAGRAM



PIN ASSIGNMENT



PIN NAMES

A0-A9	Address Input
\bar{W}	Write Enable
\bar{S}	Chip Select
DQ1-DQ4	Data Input/Output
VCC	Power (+5 V)
VSS	Ground

MCM2114

ABSOLUTE MAXIMUM RATINGS (See Note)

Rating	Value	Unit
Temperature Under Bias	-10 to +80	°C
Voltage on Any Pin With Respect to V _{SS}	-0.5 to +7.0	V
DC Output Current	5.0	mA
Power Dissipation	1.0	Watt
Operating Temperature Range	0 to +70	°C
Storage Temperature Range	-65 to +150	°C

This device contains circuitry to protect the inputs against damage due to high static voltages or electric fields; however, it is advised that normal precautions be taken to avoid application of any voltage higher than maximum rated voltages to this high-impedance circuit.

NOTE: Permanent device damage may occur if ABSOLUTE MAXIMUM RATINGS are exceeded. Functional operation should be restricted to RECOMMENDED OPERATING CONDITIONS. Exposure to higher than recommended voltages for extended periods of time could affect device reliability.

DC OPERATING CONDITIONS AND CHARACTERISTICS (Full operating voltage and temperature range unless otherwise noted.)

RECOMMENDED DC OPERATING CONDITIONS

Parameter	Symbol	Min	Typ	Max	Unit
Supply Voltage	V _{CC}	4.75	5.0	5.25	V
	V _{SS}	0	0	0	
Logic 1 Voltage, All Inputs	V _{IH}	2.0	-	6.0	V
Logic 0 Voltage, All Inputs	V _{IL}	-0.5	-	0.8	V

DC CHARACTERISTICS

Parameter	Symbol	MCM2114			Unit
		Min	Typ	Max	
Input Load Current (All Input Pins, V _{in} =0 to 5.5 V)	i _{LI}	-	-	10	µA
I/O Leakage Current (S=2.4 V, V _{DQ} =0.4 V to V _{CC})	I _{LO}	-	-	10	µA
Power Supply Current (V _{in} =5.5 V, I _{DQ} =0 mA, T _A =25°C)	I _{CC1}	-	80	95	mA
Power Supply Current (V _{in} =5.5 V, I _{DQ} =0 mA, T _A =0°C)	I _{CC2}	-	-	100	mA
Output Low Current (V _{OL} =0.4 V)	I _{OL}	2.1	6.0	-	mA
Output High Current (V _{OH} =2.4 V)	I _{OH}	-	-1.4	-1.0	mA

CAPACITANCE (f=1.0 MHz, T_A=25°C, periodically sampled rather than 100% tested)

Characteristic	Symbol	Max	Unit
Input Capacitance (V _{in} =0 V)	C _{in}	5.0	pF
Input/Output Capacitance (V _{DQ} =0 V)	C _{I/O}	5.0	pF

Capacitance measured with a Boonton Meter or effective capacitance calculated from the equation: C = I_D/ΔV.

AC OPERATING CONDITIONS AND CHARACTERISTICS

(Full operating voltage and temperature range unless otherwise noted.)

Input Pulse Levels..... 0.8 Volt and 2.4 Volts Input and Output Timing Levels..... 1.5 Volts
 Input Rise and Fall Times..... 10 ns Output Load..... 1 TTL Gate and C_L= 100 pF

READ (NOTE 1), WRITE (NOTE 2) CYCLES

Parameter	Symbol	MCM2114-20		MCM2114-25		MCM2114-30		MCM2114-45		Unit
		Min	Max	Min	Max	Min	Max	Min	Max	
Address Valid to Address Don't Care	t _{AVAX}	200	-	250	-	300	-	450	-	ns
Address Valid to Output Valid	t _{AVQV}	-	200	-	250	-	300	-	450	ns
Chip Select Low to Output Valid	t _{SLQV}	-	70	-	85	-	100	-	120	ns
Chip Select Low to Output Don't Care	t _{SLQX}	20	-	20	-	20	-	20	-	ns
Chip Select High to Output High Z	t _{SHQZ}	-	60	-	70	-	80	-	100	ns
Address Don't Care to Output Don't Care	t _{AXQX}	50	-	50	-	50	-	50	-	ns
Write Low to Write High	t _{WLWH}	120	-	135	-	150	-	200	-	ns
Write High to Address Don't Care	t _{WHAX}	0	-	0	-	0	-	0	-	ns
Write Low to Output High Z	t _{WLQZ}	-	60	-	70	-	80	-	100	ns
Data Valid to Write High	t _{DVWH}	120	-	135	-	150	-	200	-	ns
Write High to Data Don't Care	t _{WHDX}	0	-	0	-	0	-	0	-	ns

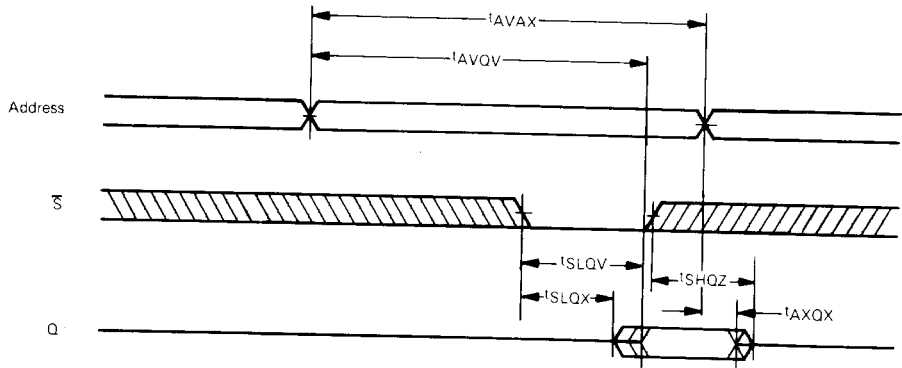
NOTES: 1. A Read occurs during the overlap of a low S and a high W.
 2. A Write occurs during the overlap of a low S and a low W.

SRAM

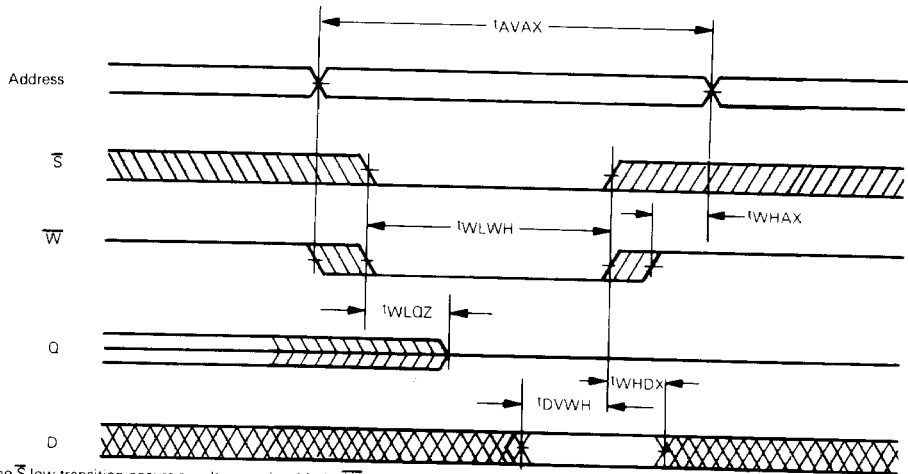
MCM2114

SRAM

READ CYCLE TIMING (\overline{W} HELD HIGH)



WRITE CYCLE TIMING (NOTE 3)

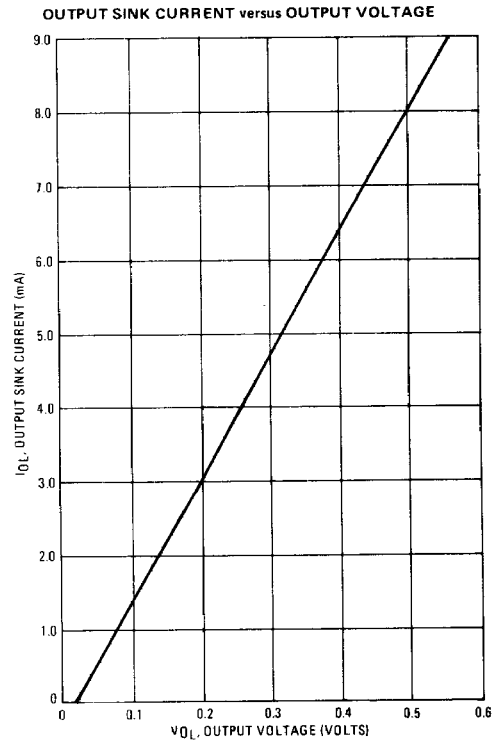
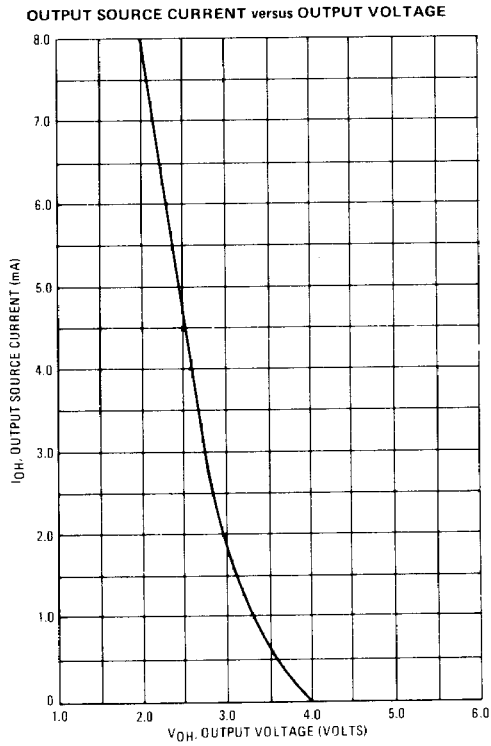
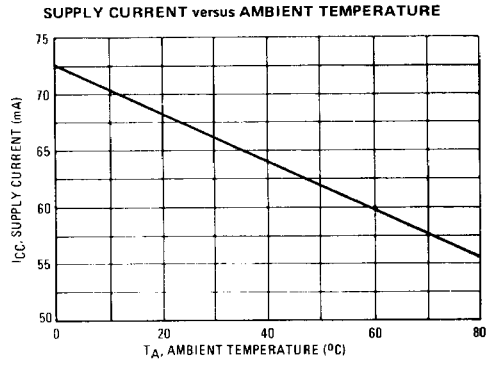
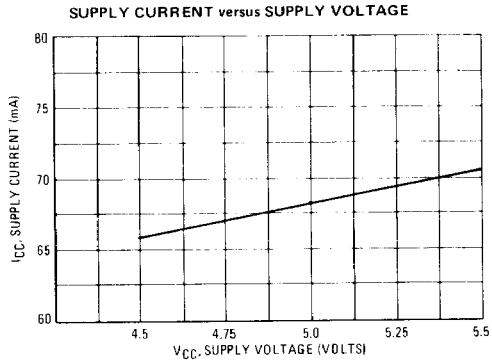


3. If the \overline{CS} low transition occurs simultaneously with the \overline{W} low transition, the output buffers remain in a high-impedance state.

WAVEFORMS

Waveform Symbol	Input	Output
	MUST BE VALID	WILL BE VALID
	CHANGE FROM H TO L	WILL CHANGE FROM H TO L
	CHANGE FROM L TO H	WILL CHANGE FROM L TO H
	DON'T CARE ANY CHANGE PERMITTED	CHANGING STATE UNKNOWN
		HIGH IMPEDANCE

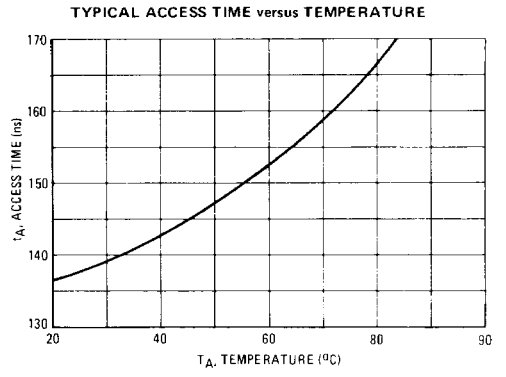
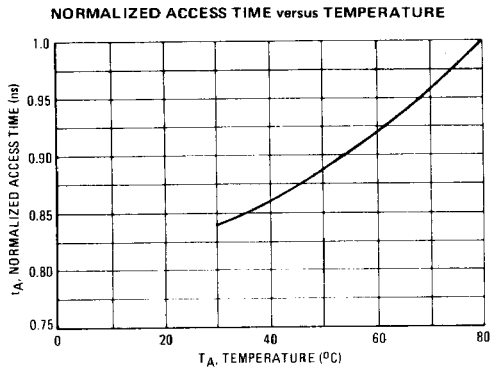
TYPICAL CHARACTERISTICS



SRAM

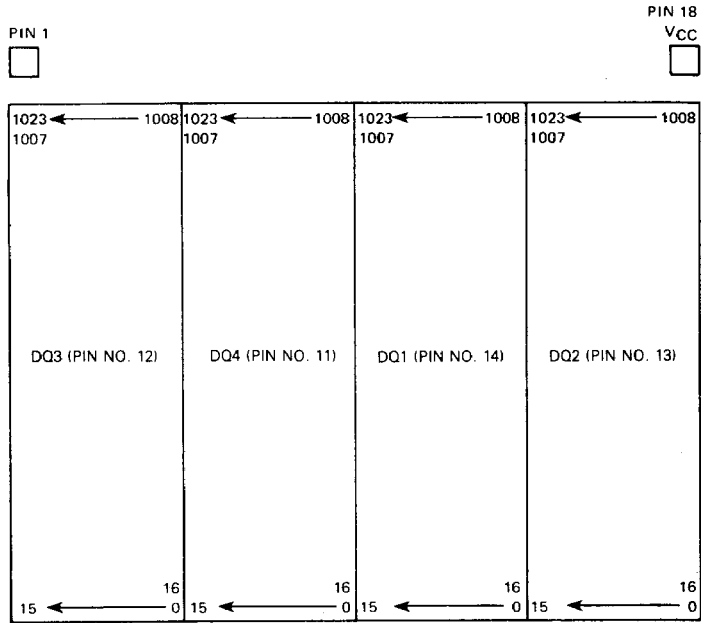
MCM2114

SRAM



MCM2114

MCM2114 BIT MAP



SRAM

To determine the precise location on the die of a word in memory, reassign address numbers to the address pins as in the table below. The bit locations can then be determined directly from the bit map.

<u>PIN NUMBER</u>	<u>REASSIGNED ADDRESS NUMBER</u>	<u>PIN NUMBER</u>	<u>REASSIGNED ADDRESS NUMBER</u>
1	A6	6	A1
2	A5	7	A2
3	A4	15	A9
4	A3	16	A8
5	A0	17	A7