

Description

- Surface mount circuit protector
- Compatible with reflow and wave solder
- Excellent environmental integrity
- One time positive disconnect
- Ampere rating marked and oriented facing up in carrier
- Solder-free design provides excellent temperature cycling
- Heat and shock tolerant

ELECTRICAL CHARACTERISTICS	
% of Amp Rating	Opening Time
100%	4 Hours Minimum
250%	10 Seconds Maximum
600%	1 millisecond typical

Agency Information

- UL Recognition Guide & File numbers: JDYX2 & E19180.
- CSA Certification Record No: 053787 C 000 & Class No: 1422 30.

Environmental Data

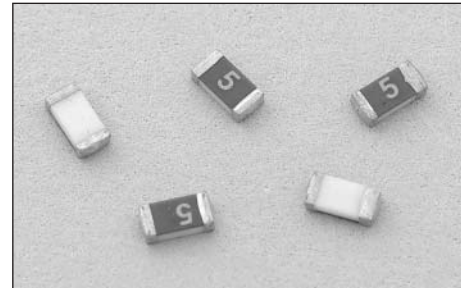
- Thermal Shock: MIL-STD-202, Method 107, Test Condition B (-65°C to 125°C)
- Vibration: MIL-STD-202, Method 204, Test Condition C (55 to 2000 Hz, 10G)
- Moisture Resistance: MIL-STD-202, Method 106, 10 day cycle
- Solderability: ANSI/J-STD-002, Test B

Soldering Method

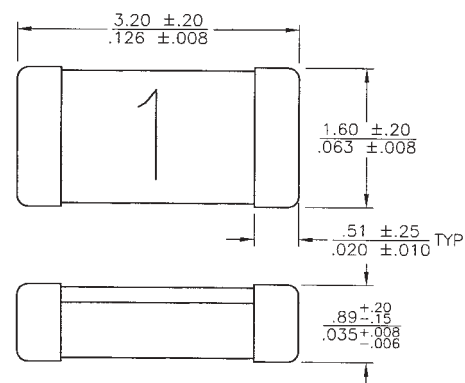
- Wave Solder: 260°C, 10 sec max.
- Infrared Reflow: 260°C, 30 sec max.

Ordering

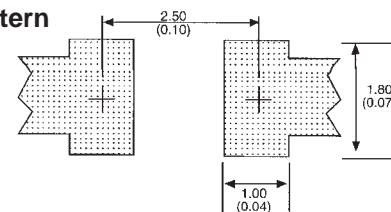
- Specify product code and packaging code



Dimensions mm/(inches)
Drawing Not to Scale



Land Pattern



SPECIFICATIONS

Product Code	Voltage Rating (DC)	Interrupting Rating* 24V DC	Resistance (ohms)** Typ.	Typical Melt I ^{††}	Typical Voltage Drop (V)‡
3216CP-250mA	24V	35A	4.50	0.000084	1.4
3216CP-375mA	24V	35A	1.80	0.0002	0.73
3216CP-500mA	24V	35A	1.15	0.0019	0.66
3216CP-750mA	24V	35A	0.75	0.00095	0.63
3216CP-1A	24V	35A	0.168	0.007	0.2
3216CP-1.5A	24V	35A	0.098	0.029	0.18
3216CP-2A	24V	35A	0.063	0.049	0.16
3216CP-2.5A	24V	35A	0.046	0.112	0.14
3216CP-3A	24V	35A	0.037	0.165	0.13
3216CP-4A	24V	35A	0.019	0.189	0.11
3216CP-4.5A	24V	35A	0.014	0.328	0.1
3216CP-5A	24V	35A	0.013	0.619	0.09

* DC Interrupting Rating (Measured at designated voltage, time constant of less than 50 microseconds, battery source)

** DC Cold Resistance (Measured at 10% of rated current)

† Typical Melting I^{††} (Measured with a battery bank at rated DC voltage, 10x-rated current, time constant of calibrated circuit less than 50 microseconds)

‡ Typical Voltage Drop (Measured at rated current after temperature stabilizes)

• It is recommended that fuses be mounted with glass (blue) side facing up.

• Device designed to carry rated current for four hours minimum. An operating current of 80% or less of rated current is recommended, with further derating required at elevated ambient temperatures.

