

CentralTM Semiconductor Corp.

145 Adams Ave., Hauppauge, NY 11788 USA
Phone (631) 435-1110 FAX (631) 435-1824

Manufacturers of World Class Discrete Semiconductors
www.centalsemi.com

MPQ3798
MPQ3799

PNP SILICON QUAD TRANSISTOR

TO-116 CASE

DESCRIPTION:

The CENTRAL SEMICONDUCTOR MPQ3798, MPQ3799 types are comprised of four independent Silicon PNP Transistors mounted in a 14 PIN DIP, designed for low level and low noise applications.

MAXIMUM RATINGS: ($T_A=25^\circ\text{C}$)

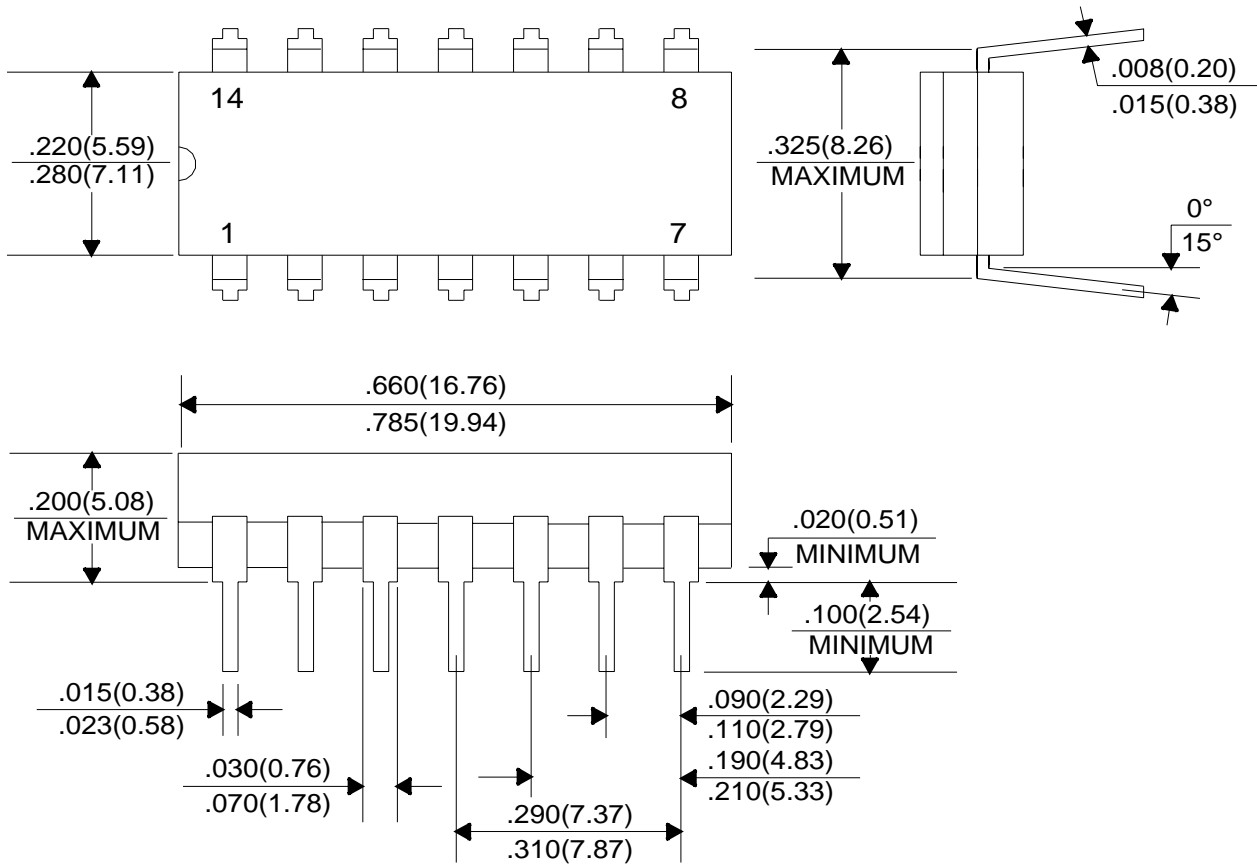
	SYMBOL	MPQ3798	MPQ3799	UNITS
Collector-Base Voltage	V_{CBO}	60	60	V
Collector-Emitter Voltage	V_{CEO}	40	60	V
Emitter-Base Voltage	V_{EBO}		5.0	V
Collector Current	I_C		50	mA
Power Dissipation (Each Transistor)	P_D		500	mW
Power Dissipation (Total Package)	P_D		900	mW
Operating and Storage Junction Temperature	T_J, T_{stg}		-65 to +150	$^\circ\text{C}$
Thermal Resistance (Total Package)	Θ_{JA}		139	$^\circ\text{C/W}$

ELECTRICAL CHARACTERISTICS: ($T_A=25^\circ\text{C}$ unless otherwise noted)

SYMBOL	TEST CONDITIONS	MPQ3798		MPQ3799		UNITS
		MIN	MAX	MIN	MAX	
I_{CBO}	$V_{CB}=50\text{V}$		10		10	nA
I_{EBO}	$V_{EB}=3.0\text{V}$		20		20	nA
BV_{CBO}	$I_C=10\mu\text{A}$	60		60		V
BV_{CEO}	$I_C=10\text{mA}$	40		60		V
BV_{EBO}	$I_E=10\mu\text{A}$	5.0		5.0		V
$V_{CE(SAT)}$	$I_C=100\mu\text{A}, I_B=10\mu\text{A}$		0.2		0.2	V
$V_{CE(SAT)}$	$I_C=1.0\text{mA}, I_B=100\mu\text{A}$		0.25		0.25	V
$V_{BE(SAT)}$	$I_C=100\mu\text{A}, I_B=10\mu\text{A}$		0.7		0.7	V
$V_{BE(SAT)}$	$I_C=1.0\text{mA}, I_B=100\mu\text{A}$		0.8		0.8	V
h_{FE}	$V_{CE}=5.0\text{V}, I_C=10\mu\text{A}$	100		225		
h_{FE}	$V_{CE}=5.0\text{V}, I_C=100\mu\text{A}$	150		300		
h_{FE}	$V_{CE}=5.0\text{V}, I_C=500\mu\text{A}$	150		300		
h_{FE}	$V_{CE}=5.0\text{V}, I_C=10\text{mA}$	125		250		
f_T	$V_{CE}=5.0\text{V}, I_C=1.0\text{mA}, f=100\text{MHz}$	60		60		MHz
C_{ob}	$V_{CB}=5.0\text{V}, I_E=0, f=1.0\text{MHz}$		4.0		4.0	pF
C_{ib}	$V_{EB}=0.5\text{V}, I_C=0, f=1.0\text{MHz}$		8.0		8.0	pF
NF	$V_{CE}=10\text{V}, I_C=100\mu\text{A}, R_S=3\text{k}\Omega,$ $f=10\text{Hz to } 15.7\text{kHz}$		2.5 TYP		1.5 TYP	dB

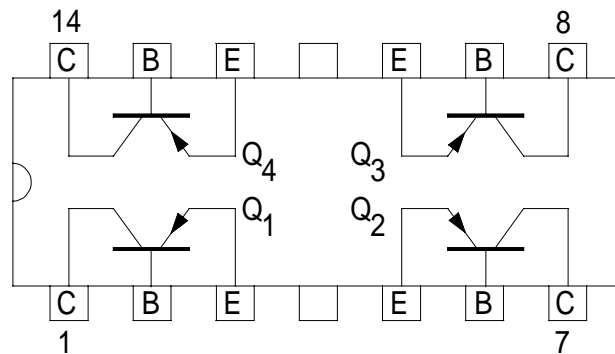
(SEE REVERSE SIDE)

TO-116 CASE - MECHANICAL OUTLINE



All Dimensions in Inches (mm).

PIN CONFIGURATION



Central™
Semiconductor Corp.

145 Adams Ave., Hauppauge, NY 11788 USA
Phone (631) 435-1110 FAX (631) 435-1824

Manufacturers of World Class Discrete Semiconductors

www.centralsemi.com