

SHINDENGEN

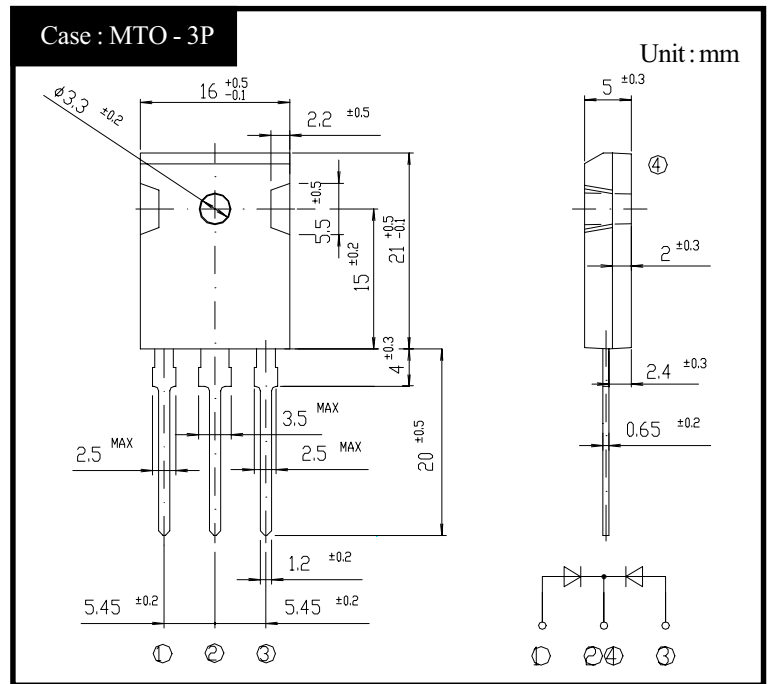
Schottky Rectifiers (SBD)

Dual

S60HC3

30V 60A

OUTLINE DIMENSIONS



RATINGS

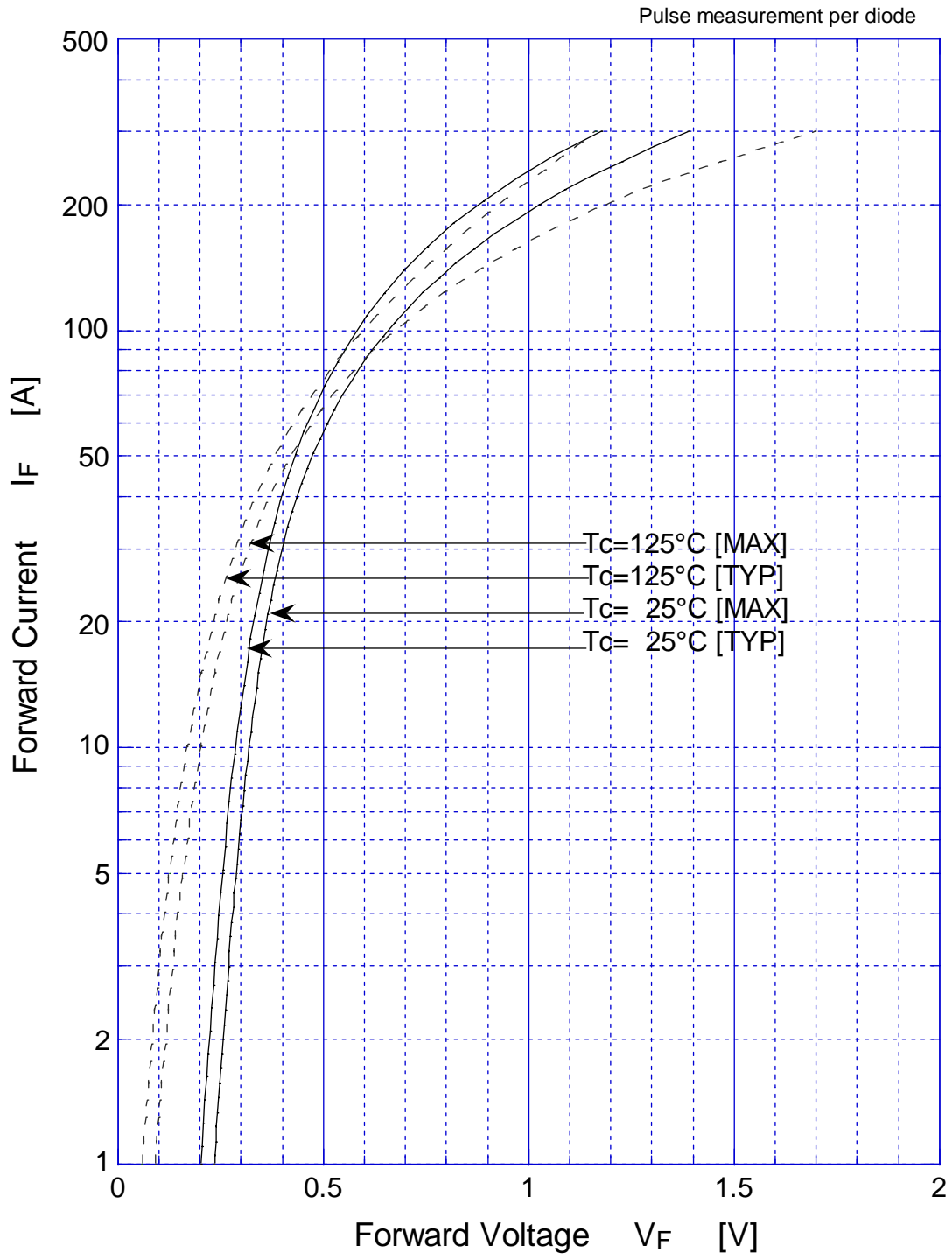
● Absolute Maximum Ratings (T_c=25°C, unless otherwise specified)

| Item | Symbol | Conditions | Ratings | Unit |
|-----------------------------------|------------------|--|-----------|------|
| Storage Temperature | T _{stg} | | -55 ~ 125 | °C |
| Operating Junction Temperature | T _j | | 125 | °C |
| Maximum Reverse Voltage | V _{RM} | | 30 | V |
| Average Rectified Forward Current | I _O | 50Hz sine wave, R-load, Rating for each diode I _O /2, T _c =104°C | 60 | A |
| Peak Surge Forward Current | I _{FSM} | 50Hz sine wave, Non-repetitive 1 cycle peak value, T _j =25°C | 550 | A |
| Mounting Torque | TOR | (Recommended torque : 0.5N·m) | 0.8 | N·m |

● Electrical Characteristics (T_c=25°C, unless otherwise specified)

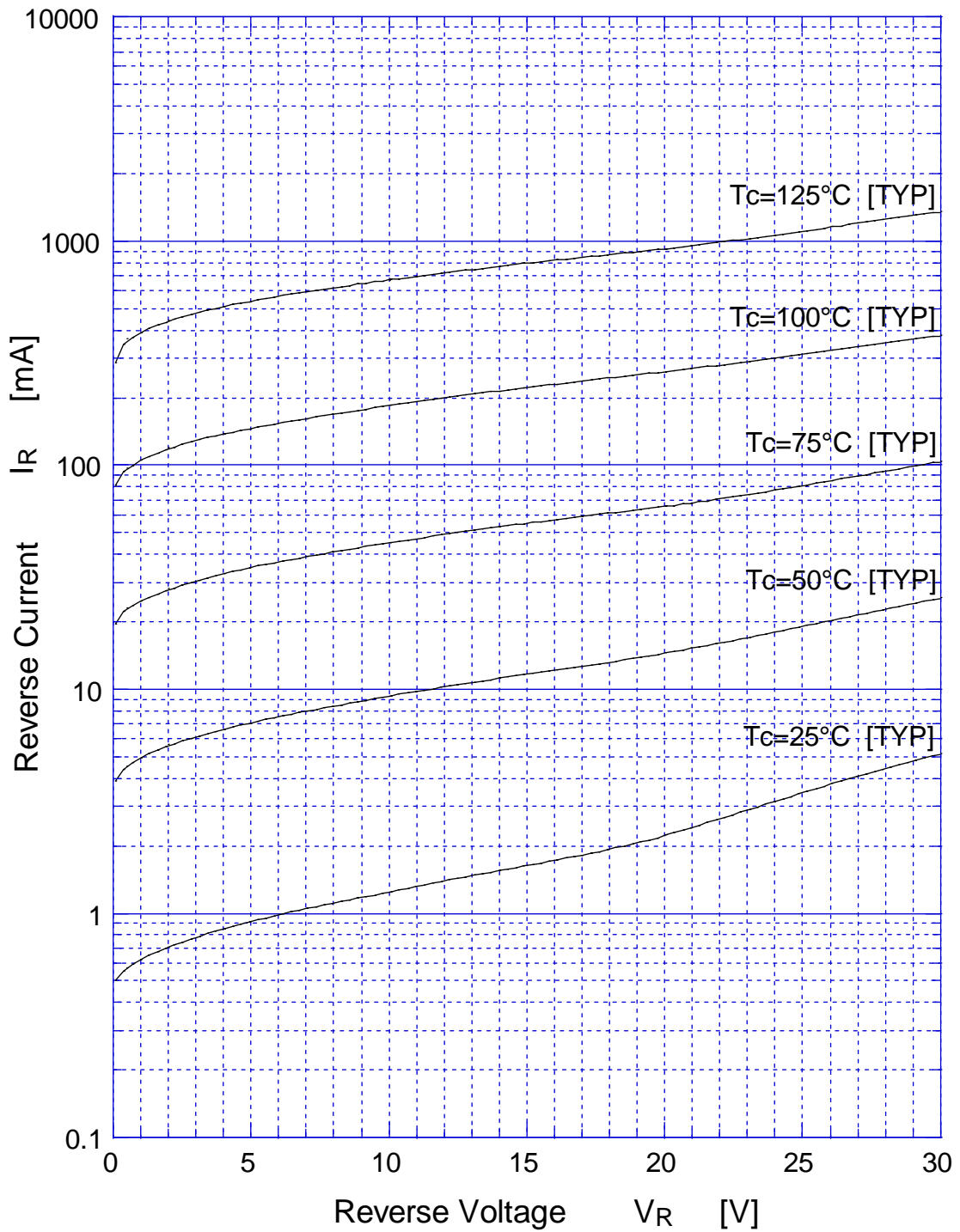
| Item | Symbol | Conditions | Ratings | Unit |
|----------------------|-----------------|---|----------|------|
| Forward Voltage | V _F | I _F =30A, Pulse measurement, Rating of per diode | Max 0.4 | V |
| Reverse Current | I _R | V _R =30V, Pulse measurement, Rating of per diode | Max 20 | mA |
| Junction Capacitance | C _j | f=1MHz, V _R =10V, Rating of per diode | Typ 1100 | pF |
| Thermal Resistance | θ _{jc} | junction to case | Max 0.5 | °C/W |

S60HC3 Forward Voltage

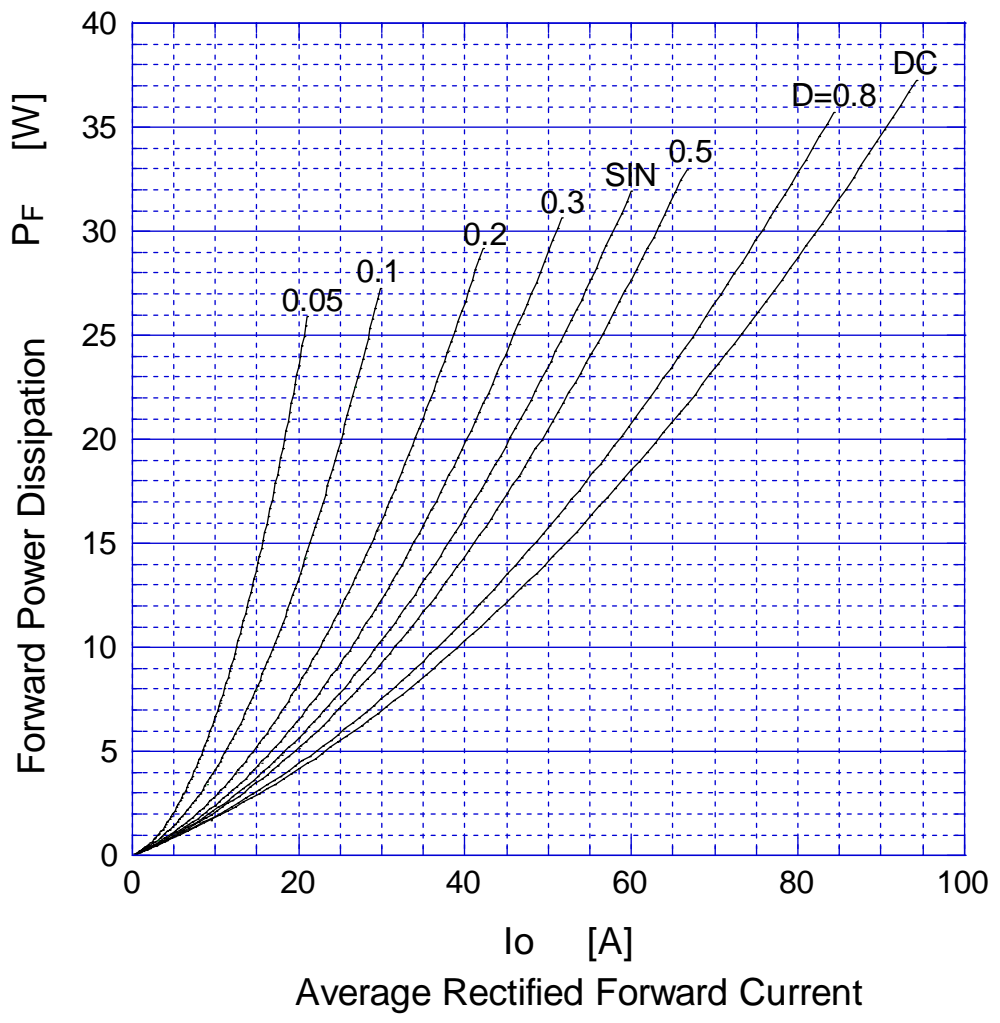


S60HC3 Reverse Current

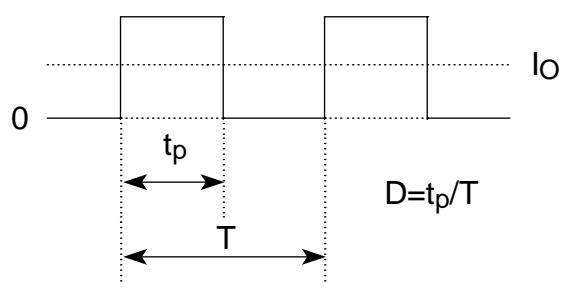
Pulse measurement per diode



S60HC3 Forward Power Dissipation

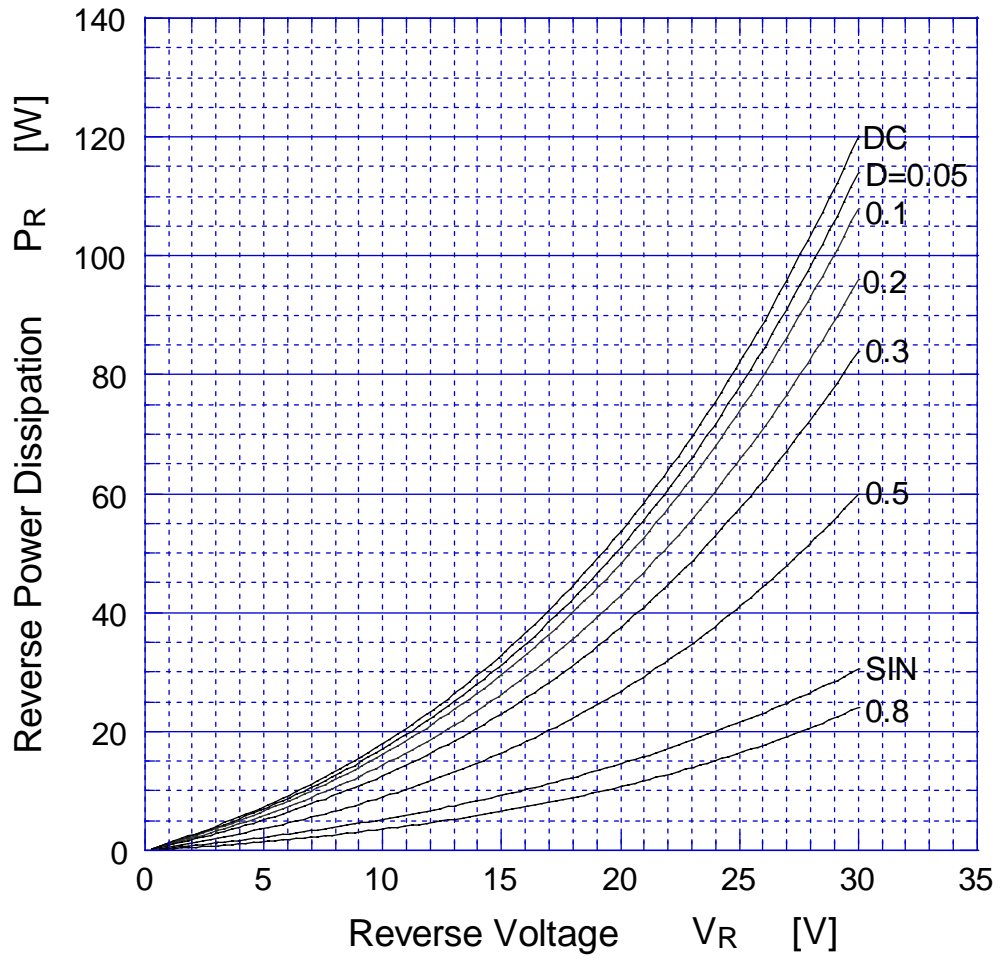


$T_j = 125^\circ\text{C}$

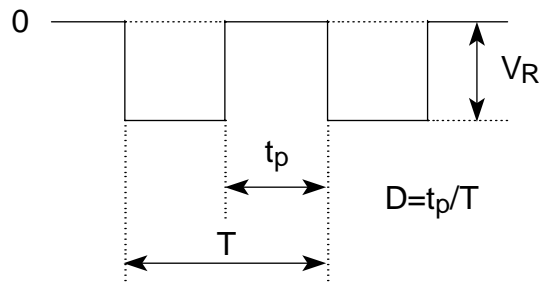


S60HC3

Reverse Power Dissipation

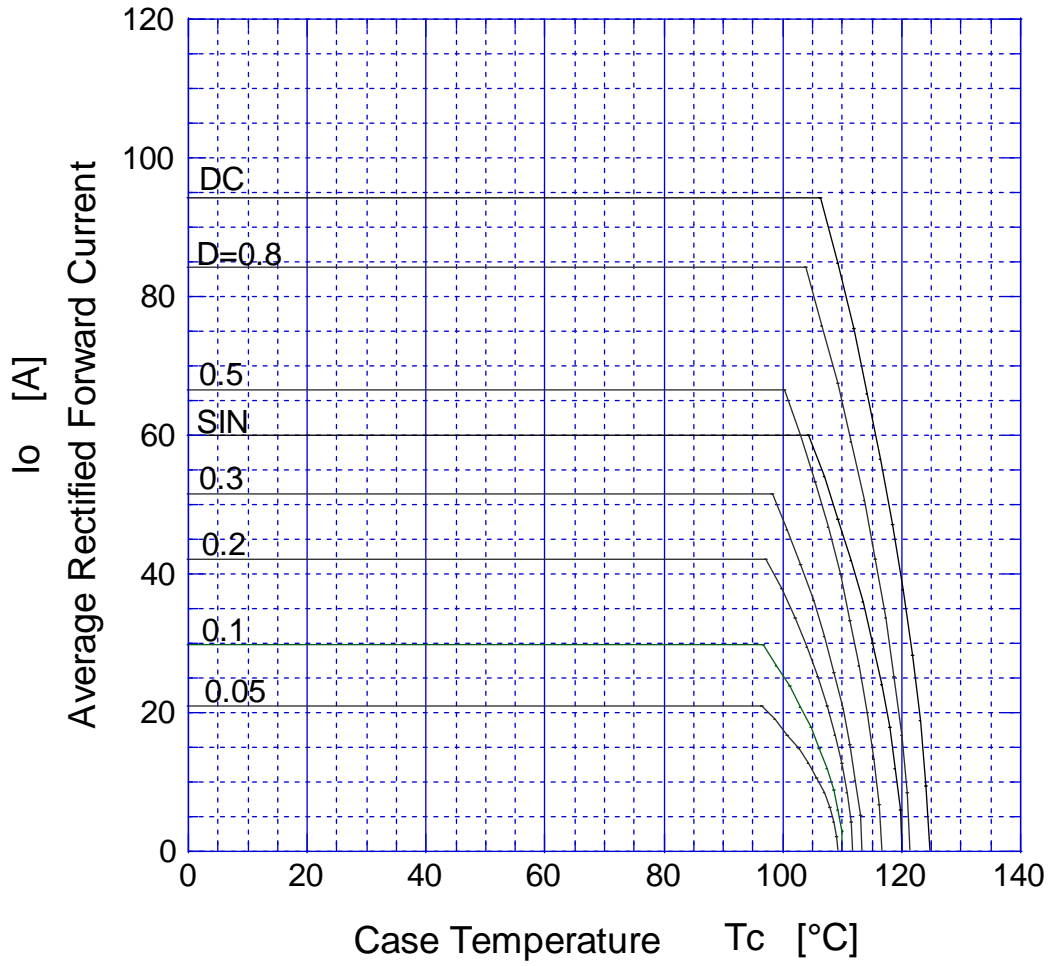


$T_j = 125^\circ\text{C}$

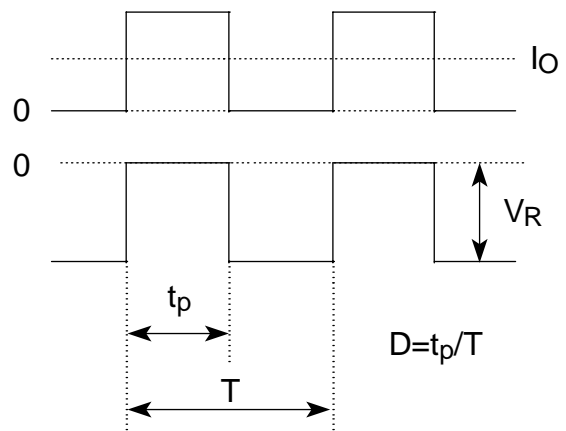


S60HC3

Derating Curve

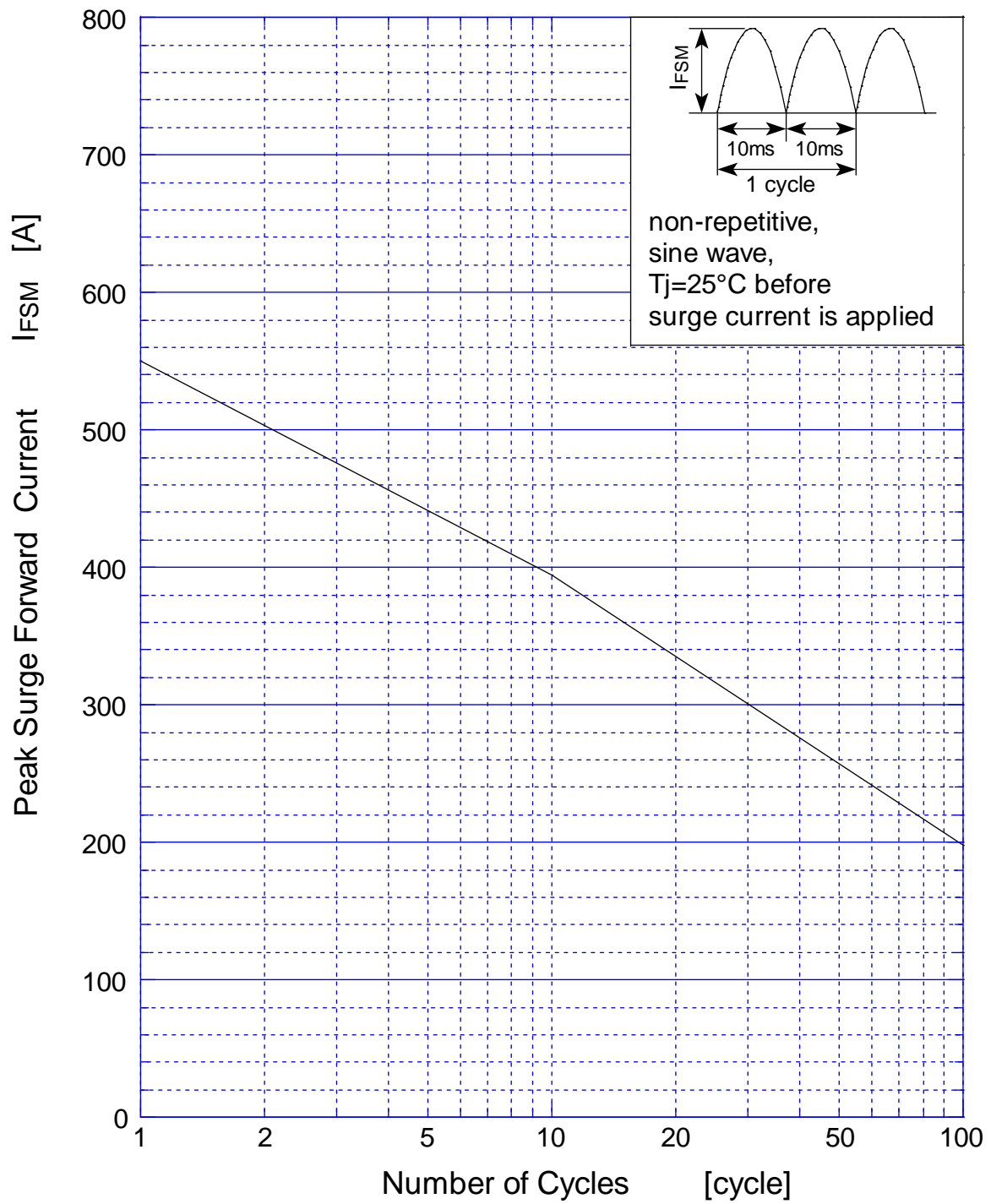


$V_R = 15V$



S60HC3

Peak Surge Forward Capability



S60HC3 Junction Capacitance

