

# SILICON RECTIFIER

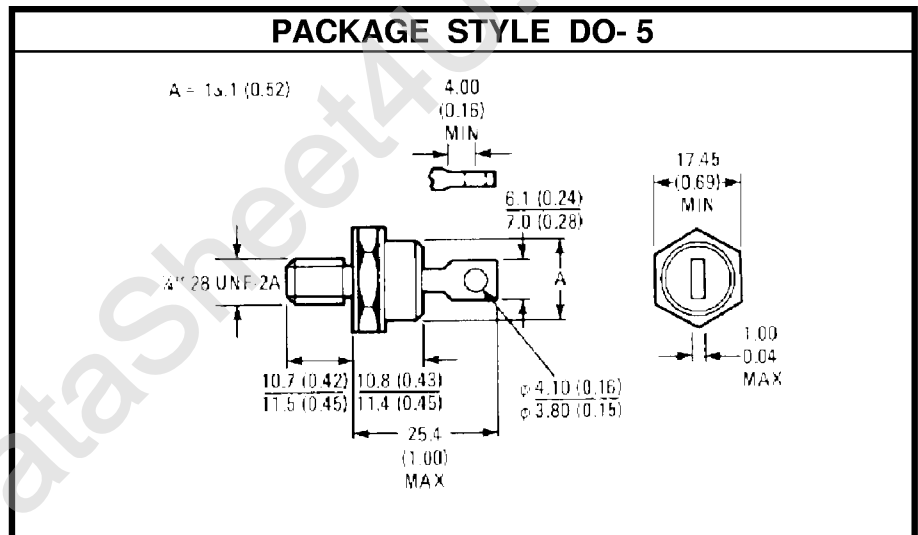
**DESCRIPTION:**

The **1N1198A/AR** is a Power Rectifier for General Purpose Power Supply Applications. Cathode Connected to Case.

- **1N1198A** = Anode to Stud
- **1n1198AR** = Cathode to Stud

**MAXIMUM RATINGS**

$I_F$	20 A (AVG) @ $T_C = 150\text{ }^\circ\text{C}$
$V_R$	600 V
$T_J$	-65 °C to +190 °C
$T_{STG}$	-65 °C to +190 °C
$\theta_{JC}$	1.5 °C/W


**CHARACTERISTICS**  $T_C = 25\text{ }^\circ\text{C}$ 

SYMBOL	TEST CONDITIONS	MINIMUM	TYPICAL	MAXIMUM	UNITS
$I_R$	$V_R = 600\text{ V}$ $T_C = 190\text{ }^\circ\text{C}$			1.0 5.0	mA
$V_F$	$I_F = 20\text{ A}$			2.0	V
$I_{FSM}$	ONE CYCLE @ 60 Hz			500	A