

Electrical Specifications @25°C

Part Number	Turn Ratio		Insertion Loss (dB MAX)	Return Loss (dB TYP)				Crosstalk (dB MIN)	CMRR 0.1-100 MHz (dB MIN)		CMDR dB	DCC UH MIN	Hipot Vrms FOR 1MINUTE
	TX	RX		2-30 MHz	40 MHz	50 MHz	60-80 MHz		Transmit	Receive			
LAN1105	1CT:1CT	1CT:1CT	-1.1	-18	-16	-14.5	-12	-35	-30	-30	-35	350	1500
LAN1106	1CT:1CT	1CT:1CT	-1.1	-18	-16	-14.5	-12	-35	-30	-30	-35	350	1500
LAN1153	1CT:1CT	1CT:1CT	-1.1	-18	-16	-14.5	-12	-35	-30	-30	-35	350	1500
LAN1160	1CT:1CT	1CT:1CT	-1.1	-18	-16	-14.5	-12	-35	-30	-30	-35	350	1500
LAN1162	1CT:1CT	1CT:1CT	-1.1	-18	-16	-14.5	-12	-35	-30	-30	-35	350	1500
LAN1110	1CT:1CT	1CT:1CT	-1.1	-18	-16	-14.5	-12	-35	-30	-30	-35	350	1500
LAN1115	1CT:1CT	1CT:1CT	-1.1	-16	-14.4	-13.1	-12	-35	-30	-30	-35	350	1500

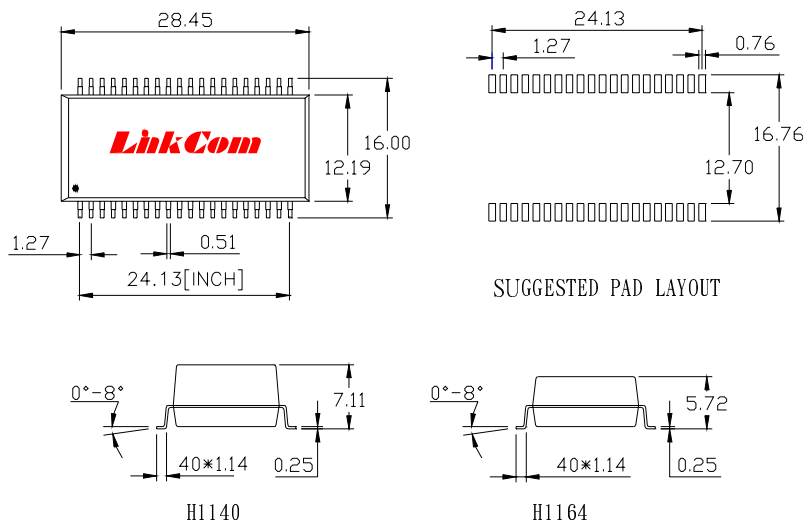
Operation Temperature 0° C - 70° C

FEATURES

- DESIGNED TO SUPPORT FOUR SINGLE OR DOUBLE STACKED RJ-45 CONNECTORS.
- MEETS ALL IEEE 802.3 STANDARDS
- ALL MODELS ARE DESIGNED TO USE WITH MULTIPLE 10/100 MBPS TRANSCEIVERS REQUIRING 1:1 TRANSFORMERS.
- SMD TRANSFER-MOLDED PACKAGE WITHSTANDS 235C PEAK TEMPERATURE PROFILE.
- ISO 9002 MANUFACTURING FACILITIES.

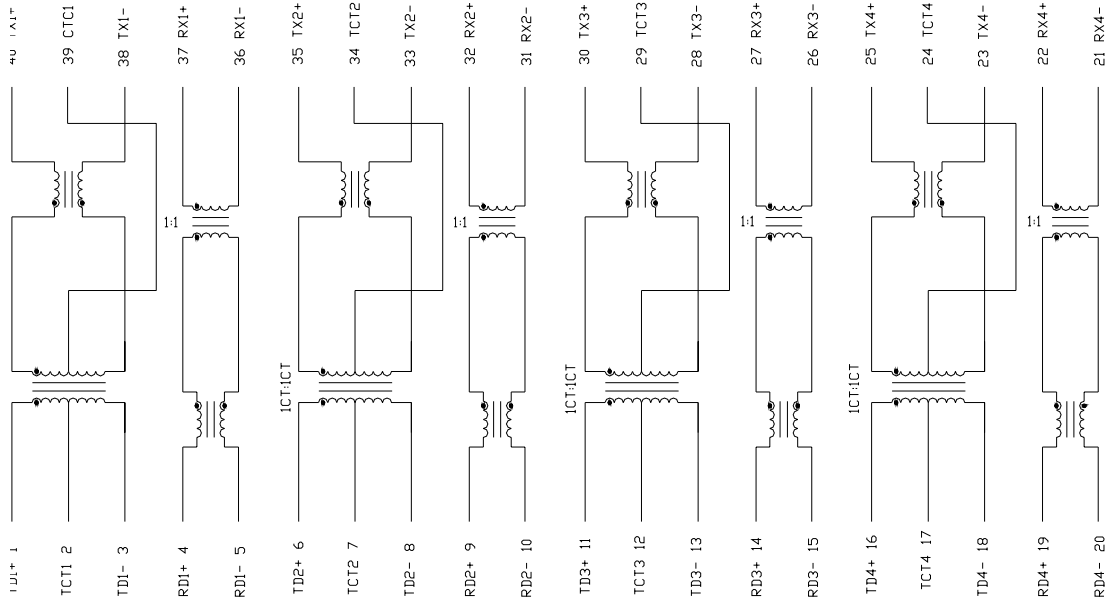


MECHANICAL

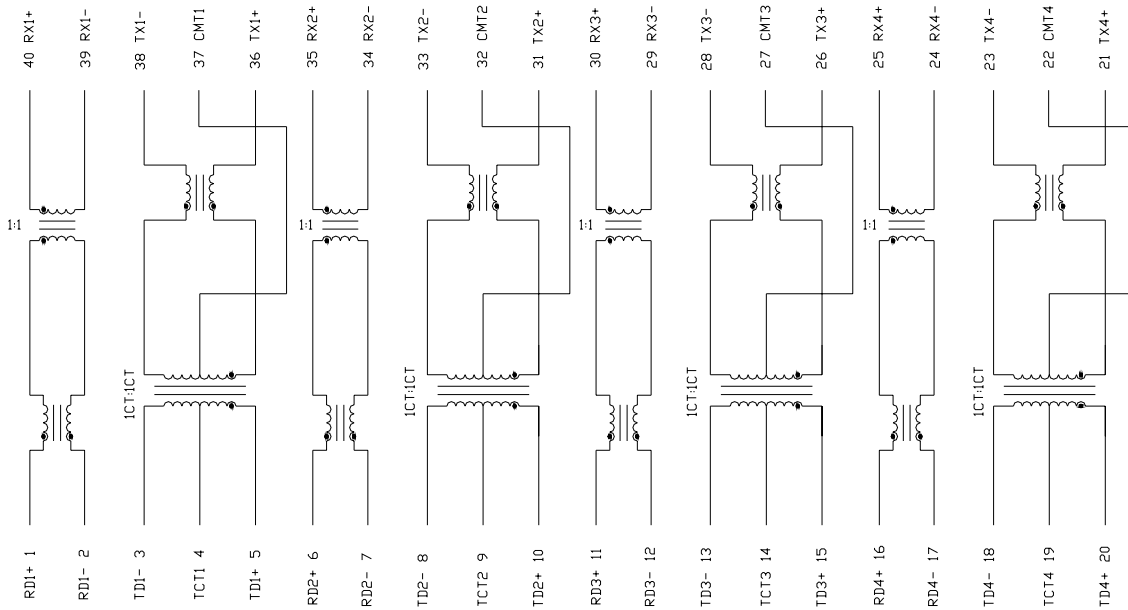


Dimensions:mm Unless otherwise specified, all tolerances are ±0.25

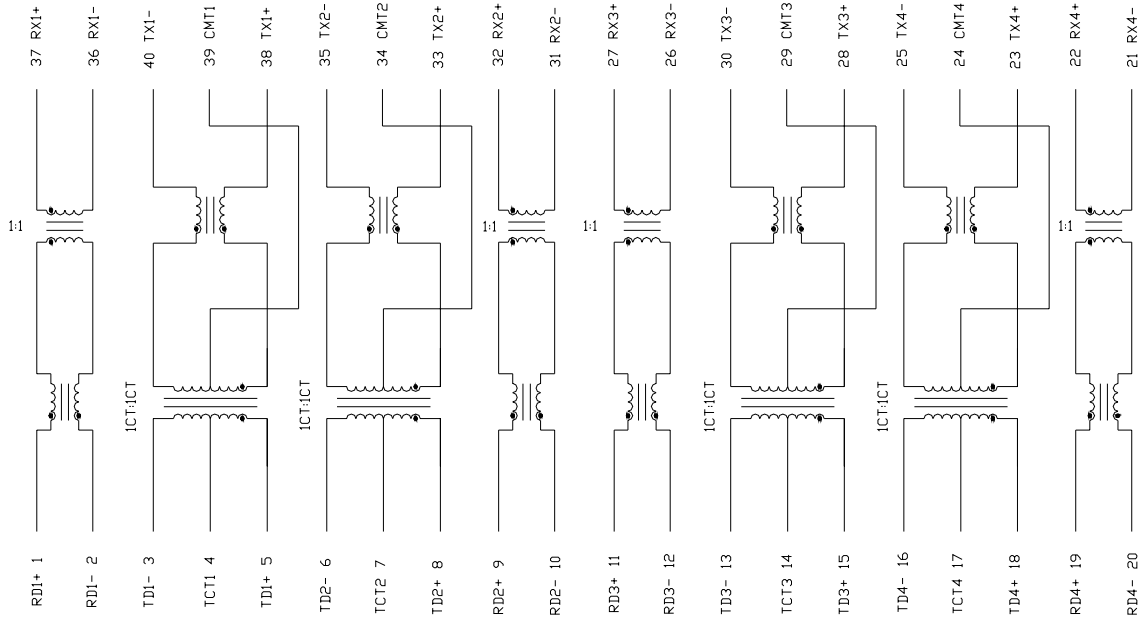
LAN1105



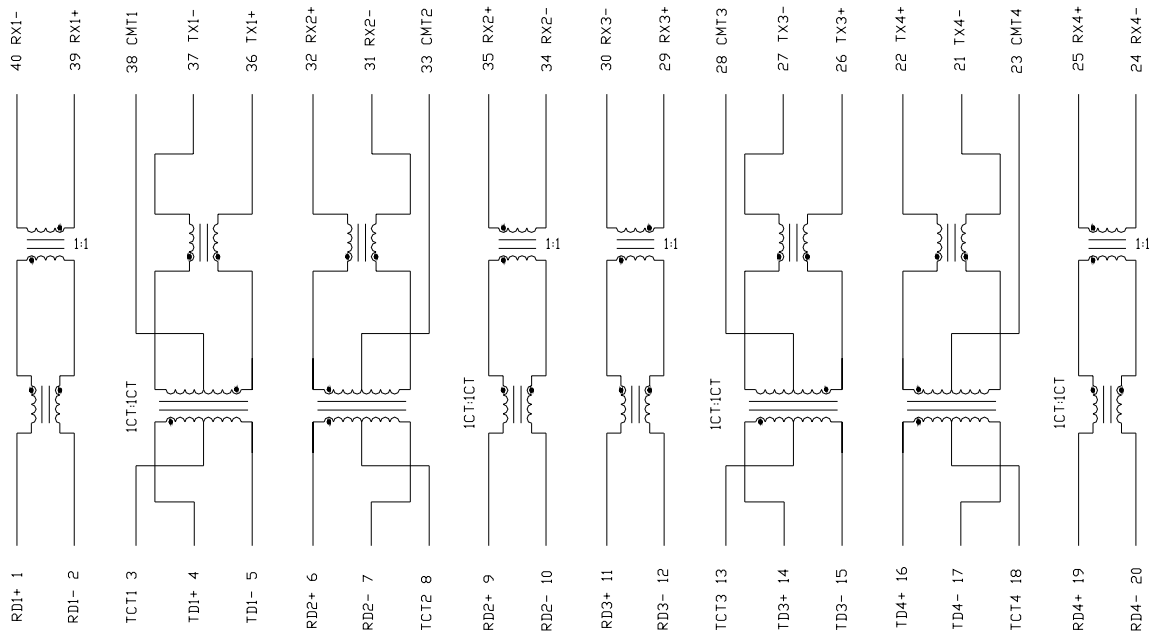
LAN1106



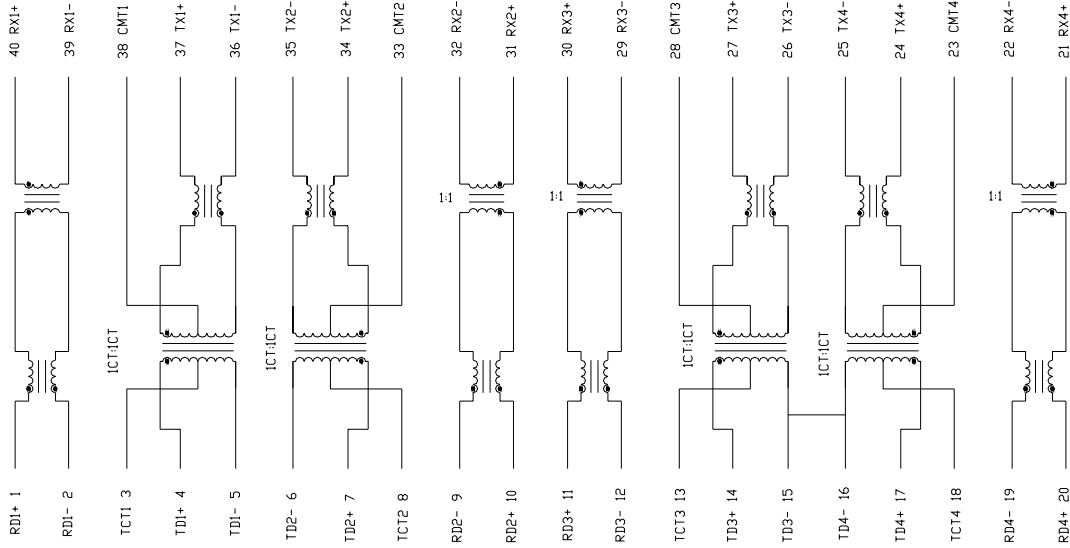
LAN1153



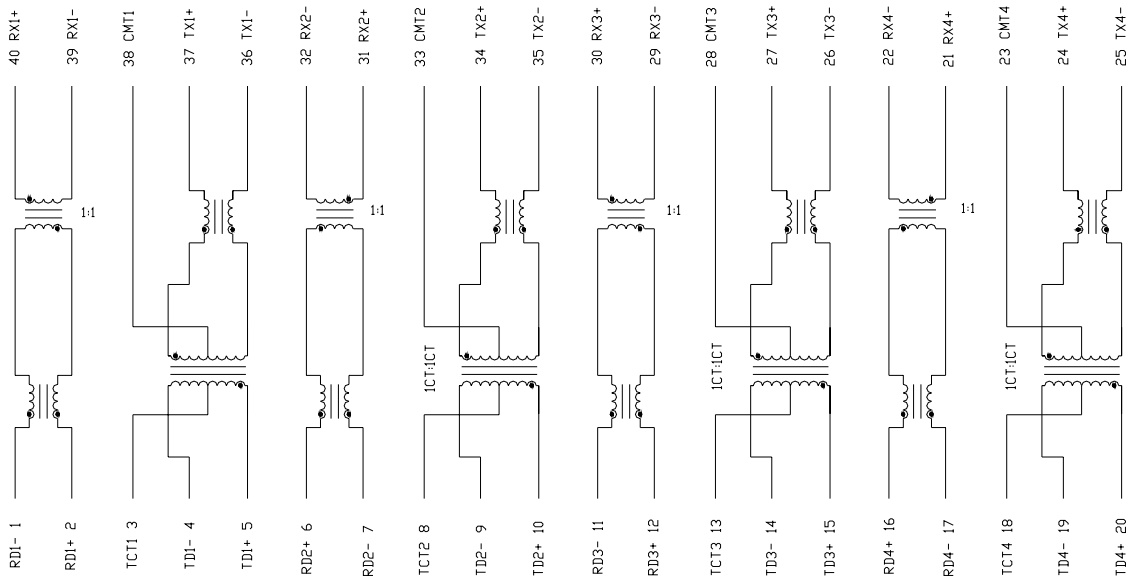
LAN1160



LAN1162



LAN1110



LAN1115

