

HYB18T512[400/800/160]AC-[3.7/5]
HYB18T512[400/800/160]AF-[3.7/5]

512-Mbit Double-Data-Rate-Two SDRAM

DDR2 SDRAM

Memory Products



N e v e r s t o p t h i n k i n g .

The information in this document is subject to change without notice.

Edition 2004-05

**Published by Infineon Technologies AG,
St.-Martin-Strasse 53,
81669 München, Germany**

**© Infineon Technologies AG 2004.
All Rights Reserved.**

Attention please!

The information herein is given to describe certain components and shall not be considered as a guarantee of characteristics.

Terms of delivery and rights to technical change reserved.

We hereby disclaim any and all warranties, including but not limited to warranties of non-infringement, regarding circuits, descriptions and charts stated herein.

Information

For further information on technology, delivery terms and conditions and prices please contact your nearest Infineon Technologies Office (www.infineon.com).

Warnings

Due to technical requirements components may contain dangerous substances. For information on the types in question please contact your nearest Infineon Technologies Office.

Infineon Technologies Components may only be used in life-support devices or systems with the express written approval of Infineon Technologies, if a failure of such components can reasonably be expected to cause the failure of that life-support device or system, or to affect the safety or effectiveness of that device or system. Life support devices or systems are intended to be implanted in the human body, or to support and/or maintain and sustain and/or protect human life. If they fail, it is reasonable to assume that the health of the user or other persons may be endangered.

HYB18T512[400/800/160]AC-[3.7/5]

HYB18T512[400/800/160]AF-[3.7/5]

512-Mbit Double-Data-Rate-Two SDRAM

DDR2 SDRAM

Memory Products



N e v e r s t o p t h i n k i n g .

Page	Subjects (major changes since last revision)
all	initial release

We Listen to Your Comments

Any information within this document that you feel is wrong, unclear or missing at all?
Your feedback will help us to continuously improve the quality of this document.
Please send your proposal (including a reference to this document) to:

techdoc.mp@infineon.com



Table of Contents		Page
1	Overview	7
1.1	Features	7
1.2	Description	7
1.3	Ordering Information	8
1.4	Pin Configuration	8
1.5	512Mbit DDR2 Addressing	16
1.6	Input/Output Functional Description	16
1.7	Block Diagrams	18
2	Functional Description	21
2.1	Simplified State Diagram	21
2.2	Basic Functionality	22
2.2.1	Power On and Initialization	22
2.2.2	Programming the Mode Register and Extended Mode Registers	23
2.2.2.1	DDR2 SDRAM Mode Register Set (MRS)	23
2.2.3	DDR2 SDRAM Extended Mode Register Set (EMRS(1))	25
2.2.4	EMRS(2)	27
2.2.5	EMRS(3)	27
2.3	Off-Chip Driver (OCD) Impedance Adjustment	28
2.4	On-Die Termination (ODT)	31
2.5	Bank Activate Command	35
2.6	Read and Write Commands and Access Modes	36
2.6.1	Posted CAS	37
2.6.2	Burst Mode Operation	38
2.6.3	Read Command	39
2.6.4	Write Command	42
2.6.5	Write Data Mask	45
2.6.6	Burst Interruption	46
2.7	Precharge Command	48
2.7.1	Read Operation Followed by a Precharge	48
2.7.2	Write followed by Precharge	51
2.8	Auto-Precharge Operation	52
2.8.1	Read with Auto-Precharge	52
2.8.2	Write with Auto-Precharge	55
2.8.3	Read or Write to Precharge Command Spacing Summary	56
2.8.4	Concurrent Auto-Precharge	57
2.9	Refresh	57
2.9.1	Auto-Refresh Command	57
2.9.2	Self-Refresh Command	58
2.10	Power-Down	59
2.11	Other Commands	63
2.11.1	No Operation Command	63
2.11.2	Deselect Command	63
2.12	Input Clock Frequency Change	63
2.13	Asynchronous CKE Low Reset Event	64
3	Truth Tables	65
4	Operating Conditions	67
5	AC & DC Operating Conditions	68
5.1	DC Operating Conditions	68
5.2	DC & AC Logic Input Levels	69
5.3	Output Buffer	71
5.4	Default Output V-I Characteristics	72
5.4.1	Calibrated Output Driver V-I Characteristics	74
5.5	Input / Output Capacitance	75
5.6	Power & Ground Clamp V-I Characteristics	76

	Table of Contents	Page
6	I_{DD} Specifications and Conditions	77
6.1	I_{DD} Test Conditions	79
6.2	On Die Termination (ODT) Current	79
7	Electrical Characteristics & AC Timing - Absolute Specification	80
8	Reference Loads, Setup & Hold Timing Definition and Slew Rate Derating	83
8.1	Reference Load for Timing Measurements	83
8.2	Slewrate Measurements	83
8.2.1	Output Slewrate	83
8.2.2	Input Slewrate - Differential signals	83
8.2.3	Input Slewrate - Single ended signals	83
8.3	Input and Data Setup and Hold Time	84
8.3.1	Timing Definition for Input Setup (t_{IS}) and Hold Time (t_{IH})	84
8.3.2	Timing Definition for Data Setup (t_{DS}) and Hold Time (t_{DH})	84
8.3.3	Slew Rate Definition for Input and Data Setup and Hold Times	85
8.4	Overshoot and Undershoot Specification	91
9	Package Dimensions	93
10	DDR2 Component Nomenclature	95

1 Overview

This chapter gives an overview of the 512-Mbit Double-Data-Rate-Two SDRAM product family and describes its main characteristics.

1.1 Features

The 512-Mbit Double-Data-Rate-Two SDRAM offers the following key features:

- 1.8 V \pm 0.1 V Power Supply
- 1.8 V \pm 0.1 V (SSTL_18) compatible I/O
- DRAM organisations with 4, 8 and 16 data in/outputs
- Double Data Rate architecture: two data transfers per clock cycle, four internal banks for concurrent operation
- CAS Latency: 3, 4 and 5
- Burst Length: 4 and 8
- Differential clock inputs (CK and $\overline{\text{CK}}$)
- Bi-directional, differential data strobes (DQS and $\overline{\text{DQS}}$) are transmitted / received with data. Edge aligned with read data and center-aligned with write data.
- DLL aligns DQ and DQS transitions with clock
- $\overline{\text{DQS}}$ can be disabled for single-ended data strobe operation
- Commands entered on each positive clock edge, data and data mask are referenced to both edges of DQS
- Data masks (DM) for write data
- Posted CAS by programmable additive latency for better command and data bus efficiency
- Off-Chip-Driver impedance adjustment (OCD) and On-Die-Termination (ODT) for better signal quality.
- Auto-Precharge operation for read and write bursts
- Auto-Refresh, Self-Refresh and power saving Power-Down modes
- Average Refresh Period 7.8 μs at a T_{CASE} lower than 85 °C, 3.9 μs between 85 °C and 95 °C
- Normal and Weak Strength Data-Output Drivers
- 1K page size for $\times 4$ & $\times 8$, 2K page size for $\times 16$
- Packages:
P-TFBGA-60-6 for $\times 4$ & $\times 8$ components
P-TFBGA-84-1 for $\times 16$ components

Table 1 High Performance

Product Type Speed Code			–3.7	–5	Units
Speed Grade			DDR2–533 4–4–4	DDR2–400 3–3–3	—
max. Clock Frequency	@CL5	f_{CK5}	266	200	MHz
	@CL4	f_{CK4}	266	200	MHz
	@CL3	f_{CK3}	200	200	MHz
min. RAS-CAS-Delay		t_{RCD}	15	15	ns
min. Row Precharge Time		t_{RP}	15	15	ns
min. Row Active Time		t_{RAS}	45	40	ns
min. Row Cycle Time		t_{RC}	60	55	ns

1.2 Description

The 512-Mb DDR2 DRAM is a high-speed Double-Data-Rate-2 CMOS Synchronous DRAM device containing 536,870,912 bits and internally configured as a quad-bank DRAM. The 512-Mb device is organized as either 32 Mbit \times 4 I/O \times 4 bank, 16 Mbit \times 8 I/O \times 4 bank or 8 Mbit \times 16 I/O \times 4 bank chip. These synchronous devices achieve high speed transfer rates starting at 400 Mb/sec/pin for general applications. See [Table 1](#) for performance figures.

The device is designed to comply with all DDR2 DRAM key features:

1. posted CAS with additive latency,
2. write latency = read latency - 1,
3. normal and weak strength data-output driver,
4. Off-Chip Driver (OCD) impedance adjustment and
5. an On-Die Termination (ODT) function.

All of the control and address inputs are synchronized with a pair of externally supplied differential clocks. Inputs are latched at the cross point of differential clocks (CK rising and $\overline{\text{CK}}$ falling). All I/Os are synchronized with a single ended DQS or differential DQS- $\overline{\text{DQS}}$ pair in a source synchronous fashion.

A 16-bit address bus for ×4 and ×8 organised components and a 15-bit address bus for ×16 components is used to convey row, column and bank address information in a RAS-CAS multiplexing style. The DDR2 device operates with a 1.8 V ± 0.1 V power supply. An Auto-Refresh and Self-Refresh mode is

provided along with various power-saving power-down modes.

The functionality described and the timing specifications included in this data sheet are for the DLL Enabled mode of operation.

The DDR2 SDRAM is available in P-TFBGA package.

1.3 Ordering Information

Table 2 Ordering information

Part Number	Org.	Speed	CAS-RCD-RP Latencies	Clock (MHz)	CAS-RCD-RP Latencies	Clock (MHz)	Package
HYB18T512400AC-5	x4	DDR2-400	3-3-3	200	—	—	P-TFBGA-60-6
HYB18T512800AC-5	x8						P-TFBGA-84-1
HYB18T512160AC-5	x16						P-TFBGA-84-1
HYB18T512400AC-3.7	x4	DDR2-533	4-4-4	266	3-3-3	200	P-TFBGA-60-6
HYB18T512800AC-3.7	x8						P-TFBGA-84-1
HYB18T512160AC-3.7	x16						P-TFBGA-84-1

green
Product

HYB18T512400AF-5	x4	DDR2-400	3-3-3	200	—	—	P-TFBGA-60-6
HYB18T512800AF-5	x8						P-TFBGA-84-1
HYB18T512160AF-5	x16						P-TFBGA-84-1
HYB18T512400AF-3.7	x4	DDR2-533	4-4-4	266	3-3-3	200	P-TFBGA-60-6
HYB18T512800AF-3.7	x8						P-TFBGA-84-1
HYB18T512160AF-3.7	x16						P-TFBGA-84-1

Note: For product nomenclature see [Chapter 10](#) of this data sheet

1.4 Pin Configuration

The pin configuration of a DDR2 SDRAM is listed by function in [Table 3](#). The abbreviations used in the Pin#/Buffer Type columns are explained in [Table 4](#) and [Table 5](#) respectively. The pin numbering for the FBGA package is depicted in [Figure 1](#) for ×4, [Figure 2](#) for ×8 and [Figure 3](#) for ×16.

Table 3 Pin Configuration of DDR SDRAM

Ball#/Pin#	Name	Pin Type	Buffer Type	Function
Clock Signals ×4/×8 organizations				
E8	CK	I	SSTL	Clock Signal
F8	$\overline{\text{CK}}$	I	SSTL	Complementary Clock Signal
F2	CKE	I	SSTL	Clock Enable Rank
Clock Signals ×16 organization				
J8	CK	I	SSTL	Clock Signal
K8	$\overline{\text{CK}}$	I	SSTL	Complementary Clock Signal
K2	CKE	I	SSTL	Clock Enable Rank
Control Signals ×4/×8 organizations				
F7	$\overline{\text{RAS}}$	I	SSTL	Row Address Strobe
G7	$\overline{\text{CAS}}$	I	SSTL	Column Address Strobe
F3	$\overline{\text{WE}}$	I	SSTL	Write Enable
G8	$\overline{\text{CS}}$	I	SSTL	Chip Select
Control Signals ×16 organization				
K7	$\overline{\text{RAS}}$	I	SSTL	Row Address Strobe
L7	$\overline{\text{CAS}}$	I	SSTL	Column Address Strobe
K3	$\overline{\text{WE}}$	I	SSTL	Write Enable
L8	$\overline{\text{CS}}$	I	SSTL	Chip Select
Address Signals ×4/×8 organizations				
G2	BA0	I	SSTL	Bank Address Bus 1:0
G3	BA1	I	SSTL	
H8	A0	I	SSTL	Address Signal 12:0
H3	A1	I	SSTL	
H7	A2	I	SSTL	
J2	A3	I	SSTL	
J8	A4	I	SSTL	
J3	A5	I	SSTL	
J7	A6	I	SSTL	
K2	A7	I	SSTL	
K8	A8	I	SSTL	
K3	A9	I	SSTL	
H2	A10	I	SSTL	
	AP	I	SSTL	
K7	A11	I	SSTL	
L2	A12	I	SSTL	
L8	A13	I	SSTL	Address Signal 13

Table 3 Pin Configuration of DDR SDRAM

Ball#/Pin#	Name	Pin Type	Buffer Type	Function
Address Signals ×16 organization				
L2	BA0	I	SSTL	Bank Address Bus 1:0
L3	BA1	I	SSTL	
L1	NC	–	–	
M8	A0	I	SSTL	Address Signal 12:0
M3	A1	I	SSTL	
M7	A2	I	SSTL	
N2	A3	I	SSTL	
N8	A4	I	SSTL	
N3	A5	I	SSTL	
N7	A6	I	SSTL	
P2	A7	I	SSTL	
P8	A8	I	SSTL	
P3	A9	I	SSTL	
M2	A10	I	SSTL	
	AP	I	SSTL	
P7	A11	I	SSTL	
R2	A12	I	SSTL	
Data Signals ×4×8 organizations				
C8	DQ0	I/O	SSTL	Data Signal 0
C2	DQ1	I/O	SSTL	Data Signal 1
D7	DQ2	I/O	SSTL	Data Signal 2
D3	DQ3	I/O	SSTL	Data Signal 3
Data Signals ×8 organization				
D1	DQ4	I/O	SSTL	Data Signal 4
D9	DQ5	I/O	SSTL	Data Signal 5
B1	DQ6	I/O	SSTL	Data Signal 6
B9	DQ7	I/O	SSTL	Data Signal 7
Data Signals ×16 organization				
G8	DQ0	I/O	SSTL	Data Signal 0
G2	DQ1	I/O	SSTL	Data Signal 1
H7	DQ2	I/O	SSTL	Data Signal 2
H3	DQ3	I/O	SSTL	Data Signal 3
H1	DQ4	I/O	SSTL	Data Signal 4
H9	DQ5	I/O	SSTL	Data Signal 5
F1	DQ6	I/O	SSTL	Data Signal 6
F9	DQ7	I/O	SSTL	Data Signal 7
C8	DQ8	I/O	SSTL	Data Signal 8
C2	DQ9	I/O	SSTL	Data Signal 9
D7	DQ10	I/O	SSTL	Data Signal 10

Table 3 Pin Configuration of DDR SDRAM

Ball#/Pin#	Name	Pin Type	Buffer Type	Function
D3	DQ11	I/O	SSTL	Data Signal 11
D1	DQ12	I/O	SSTL	Data Signal 12
D9	DQ13	I/O	SSTL	Data Signal 13
B1	DQ14	I/O	SSTL	Data Signal 14
B9	DQ15	I/O	SSTL	Data Signal 15
Data Strobe ×4/×8 organisations				
B7	DQS	I/O	SSTL	Data Strobe
A8	$\overline{\text{DQS}}$	I/O	SSTL	Data Strobe
Data Strobe ×8 organisations				
B3	RDQS	I/O	SSTL	Mode Register Select
A2	$\overline{\text{RDQS}}$	I/O	SSTL	Data Strobe
Data Strobe ×16 organization				
B7	UDQS	I/O	SSTL	Data Strobe Upper Byte
A8	$\overline{\text{UDQS}}$	I/O	SSTL	Data Strobe Upper Byte
F7	LDQS	I/O	SSTL	Data Strobe Lower Byte
E8	$\overline{\text{LDQS}}$	I/O	SSTL	Data Strobe Lower Byte
Data Mask ×4/×8 organizations				
B3	DM	I	SSTL	Data Mask
Data Mask ×16 organization				
B3	UDM	I	SSTL	Data Mask Upper Byte
F3	LDM	I	SSTL	Data Mask Lower Byte
Power Supplies ×4/×8/×16 organizations				
A9,C1,C3,C7, C9	V_{DDQ}	PWR	–	I/O Driver Power Supply
A1	V_{DD}	PWR	–	Power Supply
A7,B2,B8,D2, D8	V_{SSQ}	PWR	–	Power Supply
A3,E3	V_{SS}	PWR	–	Power Supply
Power Supplies ×4/×8 organizations				
E2	V_{REF}	AI	–	I/O Reference Voltage
E1	V_{DDL}	PWR	–	Power Supply
E9,H9,L1	V_{DD}	PWR	–	Power Supply
E7	V_{SSDL}	PWR	–	Power Supply
J1,K9	V_{SS}	PWR	–	Power Supply
Power Supplies ×16 organization				
J2	V_{REF}	AI	–	I/O Reference Voltage
E9, G1, G3, G7, G9	V_{DDQ}	PWR	–	I/O Driver Power Supply
J1	V_{DDL}	PWR	–	Power Supply

Table 3 Pin Configuration of DDR SDRAM

Ball#/Pin#	Name	Pin Type	Buffer Type	Function
E1, J9, M9, R1	V _{DD}	PWR	–	Power Supply
E7, F2, F8, H2, H8	V _{SSQ}	PWR	–	Power Supply
J7	V _{SDDL}	PWR	–	Power Supply
J3, N1, P9	V _{SS}	PWR	–	Power Supply
Not Connected ×4/×8 organizations				
L3, L7, G1	NC	NC	–	Not Connected
Not Connected ×4 organization				
A2, B1, B9, D1, D9	NC	NC	–	Not Connected
Not Connected ×16 organization				
A2, E2, L1, R3, R7, R8	NC	NC	–	Not Connected
Other Pins ×4/×8 organizations				
F9	ODT	–	–	On-Die Termination Control
Other Pins ×16 organization				
K9	ODT	–	–	On-Die Termination Control

Table 4 Abbreviations for Pin Type

Abbreviation	Description
I	Standard input-only pin. Digital levels.
O	Output. Digital levels.
I/O	I/O is a bidirectional input/output signal.
AI	Input. Analog levels.
PWR	Power
GND	Ground
NC	Not Connected

Table 5 Abbreviations for Buffer Type

Abbreviation	Description
SSTL	Serial Stub Terminated Logic (SSTL_18)
LV-CMOS	Low Voltage CMOS
CMOS	CMOS Levels
OD	Open Drain. The corresponding pin has 2 operational states, active low and tristate, and allows multiple devices to share as a wire-OR.

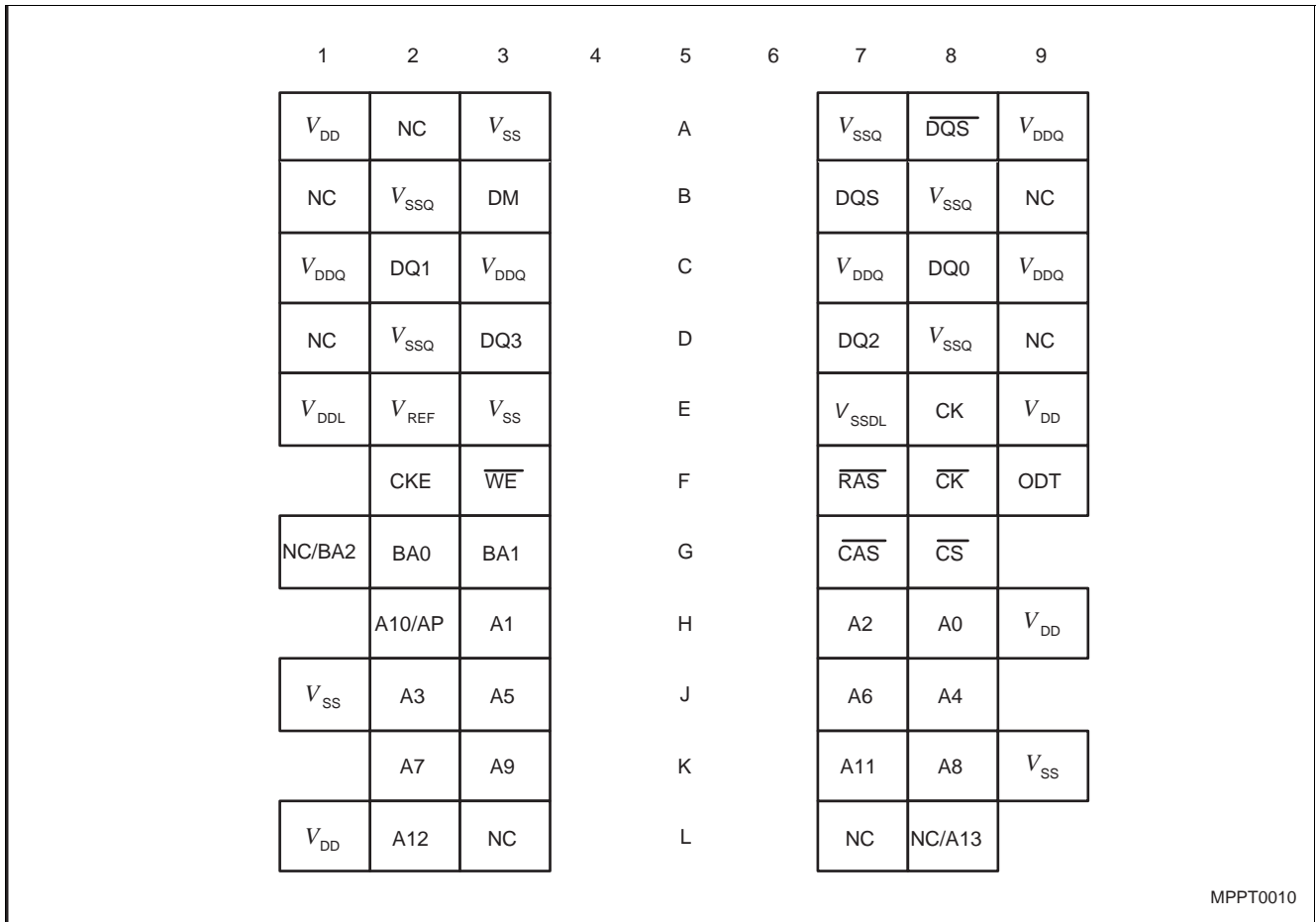


Figure 1 Pin Configuration P-TFBGA-60 (×4) Top View, see the balls through the package

Notes

1. V_{DDL} and V_{SSDL} are power and ground for the DLL. They are isolated on the device from V_{DD} , V_{DDQ} , V_{SS} and V_{SSQ} .
2. Ball position G1 is Not Connected and will be used for BA2 on 1-Gbit memory densities and higher
3. Ball position L8 is A13 for 512-Mbit and higher and is Not Connected on 256-Mbit

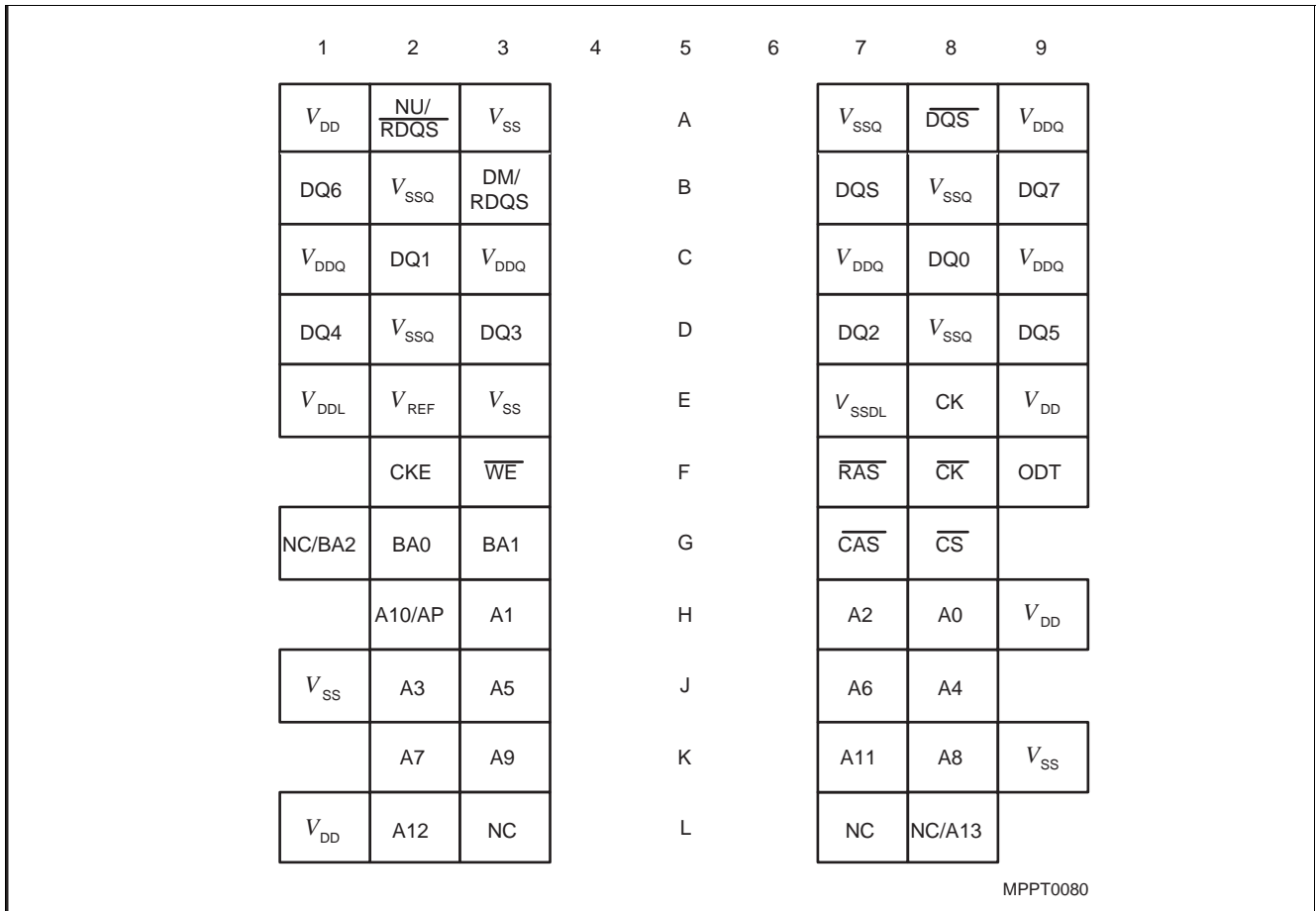


Figure 2 Pin Configuration P-TFBGA-60 (x8) Top View, see the balls through the package

Notes

1. $\overline{RDQS} / \overline{RDQS}$ are enabled by EMRS(1) command.
2. If $\overline{RDQS} / \overline{RDQS}$ is enabled, the DM function is disabled
3. When enabled, \overline{RDQS} & \overline{RDQS} are used as strobe signals during reads.
4. V_{DDL} and V_{SSDL} are power and ground for the DLL. They are isolated on the device from V_{DD} , V_{DDQ} , V_{SS} and V_{SSQ} .
5. Ball position G1 is Not Connected and will be used for BA2 on 1-Gbit memory densities and higher
6. Ball position L8 is A13 for 512-Mbit and higher and is Not Connected on 256-Mbit

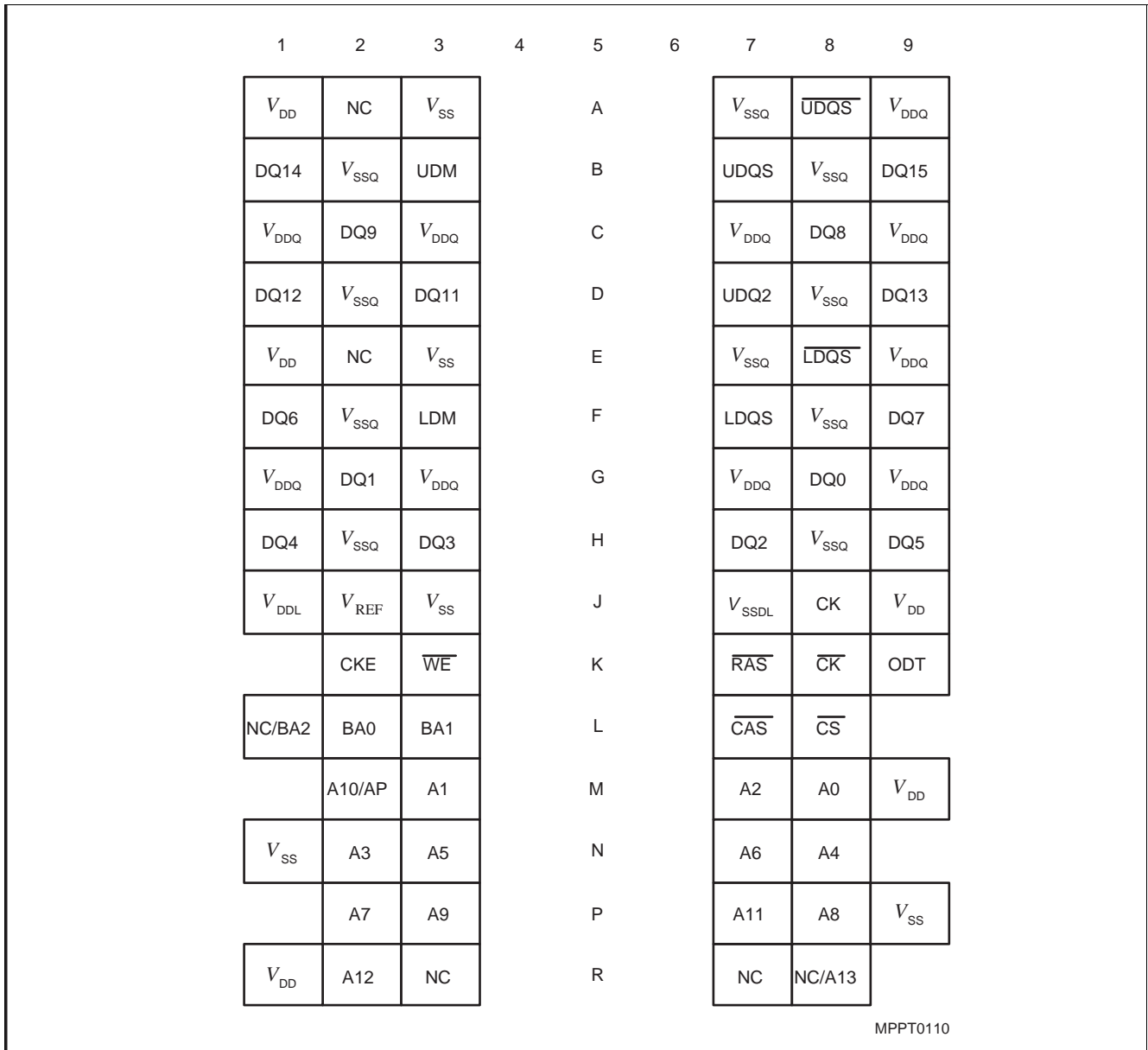


Figure 3 Pin Configuration P-TFBGA-84 (×16) Top View, see the balls through the package

Notes

1. $\overline{UDQS}/UDQS$ is data strobe for upper byte, $\overline{LDQS}/LDQS$ is data strobe for lower byte
2. UDM is the data mask signal for the upper byte $UDQ[7:0]$, LDM is the data mask signal for the lower byte $LDQ[7:0]$
3. Ball position L1 will be used for BA2 on 1-Gbit memory densities and higher

1.5 512Mbit DDR2 Addressing

Table 6 512 Mbit DDR2 Addressing

Configuration	128 Mb x 4	64 Mb x 8	32 Mb x 16	Note
Number of Banks	4	4	4	
Bank Address	BA[1:0]	BA[1:0]	BA[1:0]	
Auto-Precharge	A10 / AP	A10 / AP	A10 / AP	
Row Address	A[13:0]	A[13:0]	A[12:0]	
Column Address	A11, A[9:0]	A[9:0]	A[9:0]	
Number of Column Address Bits	11	10	10	1)
Number of I/Os	4	8	16	2)
Page Size [Bytes]	1024 (1K)	1024 (1K)	2048 (2K)	3)

1) Referred to as 'colbits'

2) Referred to as 'org'

3) $PageSize = 2^{colbits} \times \frac{org}{8}$ [Bytes]

1.6 Input/Output Functional Description

Table 7 Input/Output Functional Description

Symbol	Type	Function
CK, \overline{CK}	Input	Clock: CK and \overline{CK} are differential clock inputs. All address and control inputs are sampled on the crossing of the positive edge of CK and negative edge of \overline{CK} . Output (read) data is referenced to the crossing of CK and \overline{CK} (both directions of crossing).
CKE	Input	Clock Enable: CKE high activates and CKE low deactivates internal clock signals and device input buffers and output drivers. Taking CKE low provides Precharge Power-Down and Self-Refresh operation (all banks idle), or Active Power-Down (row Active in any bank). CKE is synchronous for power down entry and exit and for self-refresh entry. Input buffers excluding CKE are disabled during self-refresh. CKE is used asynchronously to detect self-refresh exit condition. Self-refresh termination itself is synchronous. After V_{REF} has become stable during power-on and initialisation sequence, it must be maintained for proper operation of the CKE receiver. For proper self-refresh entry and exit, V_{REF} must be maintained to this input. CKE must be maintained high throughout read and write accesses. Input buffers, excluding CK, \overline{CK} , ODT and CKE are disabled during power-down.
\overline{CS}	Input	Chip Select: All commands are masked when \overline{CS} is registered high. \overline{CS} provides for external rank selection on systems with multiple ranks. \overline{CS} is considered part of the command code.
ODT	Input	On Die Termination: ODT (registered high) enables termination resistance internal to the DDR2 SDRAM. When enabled, ODT is only applied to each DQ, DQS, \overline{DQS} and DM signal for $\times 4$ and DQ, DQS, \overline{DQS} , RDQS, \overline{RDQS} and DM for $\times 8$ configurations. For $\times 16$ configuration ODT is applied to each DQ, UDQS, \overline{UDQS} , LDQS, \overline{LDQS} , UDM and LDM signal. The ODT pin will be ignored if the EMRS(1) is programmed to disable ODT.
\overline{RAS} , \overline{CAS} , \overline{WE}	Input	Command Inputs: \overline{RAS} , \overline{CAS} and \overline{WE} (along with \overline{CS}) define the command being entered

Table 7 Input/Output Functional Description

Symbol	Type	Function
DM, LDM, UDM	Input	Input Data Mask: DM is an input mask signal for write data. Input data is masked when DM is sampled high coincident with that input data during a Write access. DM is sampled on both edges of DQS. Although DM pins are input only, the DM loading matches the DQ and DQS loading. LDM and UDM are the input mask signals for ×16 components and control the lower or upper bytes. For ×8 components the data mask function is disabled, when RDQS / $\overline{\text{RDQS}}$ are enabled by EMRS(1) command.
BA[1:0]	Input	Bank Address Inputs: BA[1:0] define to which bank an Activate, Read, Write or Precharge command is being applied. BA[1:0] also determines if the mode register or extended mode register is to be accessed during a MRS or EMRS(1) cycle.
A[13:0]	Input	Address Inputs: Provides the row address for Activate commands and the column address and Auto-Precharge bit A10 (=AP) for Read/Write commands to select one location out of the memory array in the respective bank. A10 (=AP) is sampled during a Precharge command to determine whether the Precharge applies to one bank (A10=low) or all banks (A10=high). If only one bank is to be precharged, the bank is selected by BA[1:0]. The address inputs also provide the op-code during Mode Register Set commands. Row address A13 is used on ×4 and ×8 components only.
DQx	Input/ Output	Data Inputs/Output: Bi-directional data bus. DQ[0:3] for ×4 components, DQ[0:7] for ×8 components, DQ[0:15] for ×16 components.
DQS, ($\overline{\text{DQS}}$) LDQS, ($\overline{\text{LDQS}}$), UDQS, ($\overline{\text{UDQS}}$)	Input/ Output	Data Strobe: output with read data, input with write data. Edge aligned with read data, centered with write data. For the ×16, LDQS corresponds to the data on LDQ[7:0]; UDQS corresponds to the data on UDQ[7:0]. The data strobes DQS, LDQS, UDQS may be used in single ended mode or paired with the optional complementary signals $\overline{\text{DQS}}$, $\overline{\text{LDQS}}$, $\overline{\text{UDQS}}$ to provide differential pair signaling to the system during both reads and writes. An EMRS(1) control bit enables or disables the complementary data strobe signals.
RDQS, ($\overline{\text{RDQS}}$)	Input/ Output	Read Data Strobe: For the ×8 components a RDQS, $\overline{\text{RDQS}}$ pair can be enabled via the EMRS(1) for read timing. RDQS, $\overline{\text{RDQS}}$ is not supported on ×4 and ×16 components. RDQS, $\overline{\text{RDQS}}$ are edge-aligned with read data. If RDQS, $\overline{\text{RDQS}}$ is enabled, the DM function is disabled on ×8 components.
NC	—	No Connect: no internal electrical connection is present
V _{DDQ}	Supply	DQ Power Supply: 1.8 V ± 0.1 V
V _{SSQ}	Supply	DQ Ground
V _{DDL}	Supply	DLL Power Supply: 1.8 V ± 0.1 V
V _{SSDL}	Supply	DLL Ground
V _{DD}	Supply	Power Supply: 1.8 V ± 0.1 V
V _{SS}	Supply	Ground
V _{REF}	Supply	Reference Voltage
(BA2), A[15:14]	—	BA2, A[15:14] are additional address pins for future generation DRAMs and are not connected on this component.

1.7 Block Diagrams

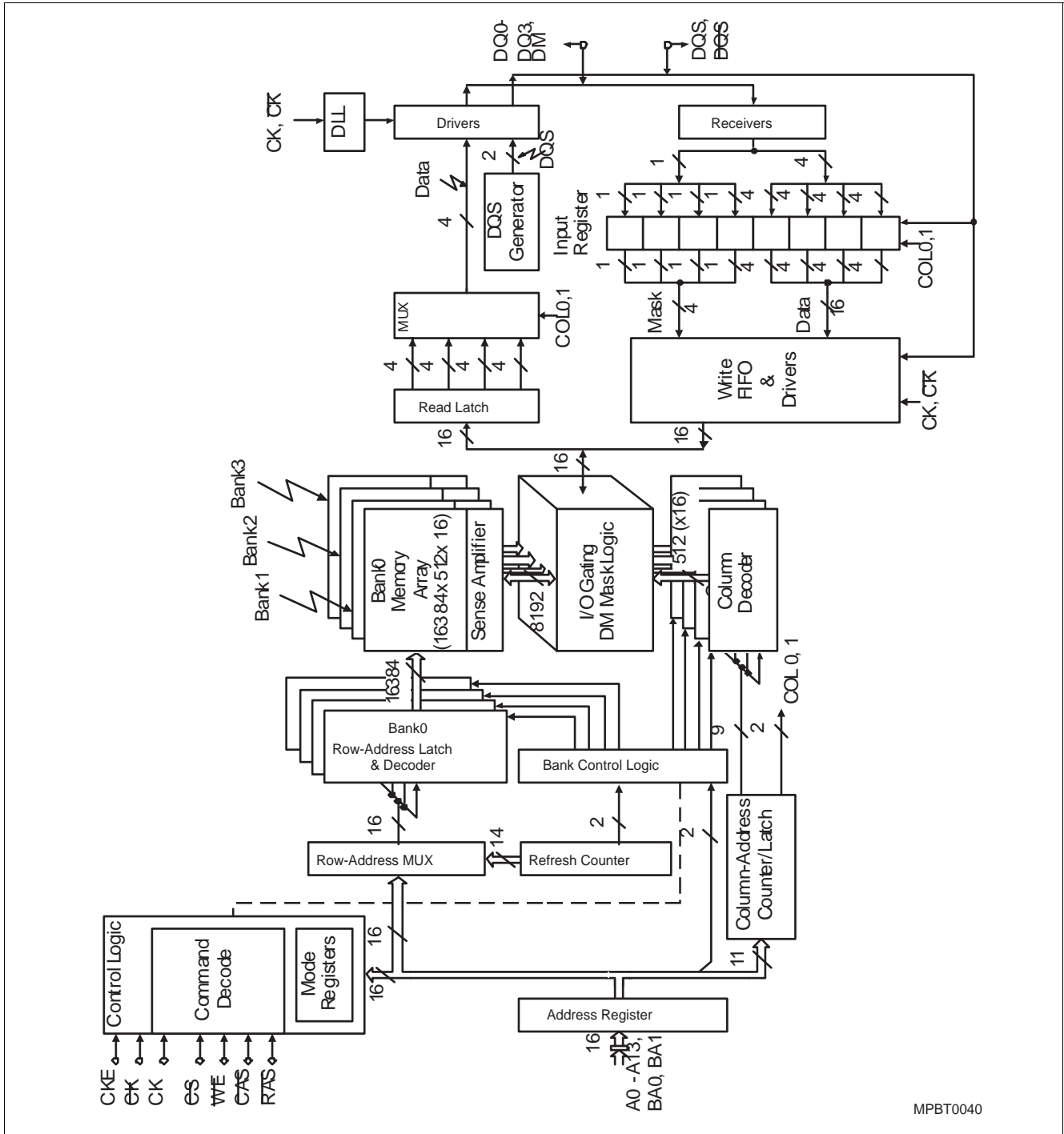


Figure 4 Block Diagram 32 Mbit × 4 I/O × 4 Internal Memory Banks

Notes

1. 64Mbit x 4 Organisation with 14 Row, 2 Bank and 11 Column External Addresses
2. This Functional Block Diagram is intended to facilitate user understanding of the operation of the

device; it does not represent an actual circuit implementation.

3. DM is a unidirectional signal (input only), but is internally loaded to match the load of the bidirectional DQ and DQS signals.

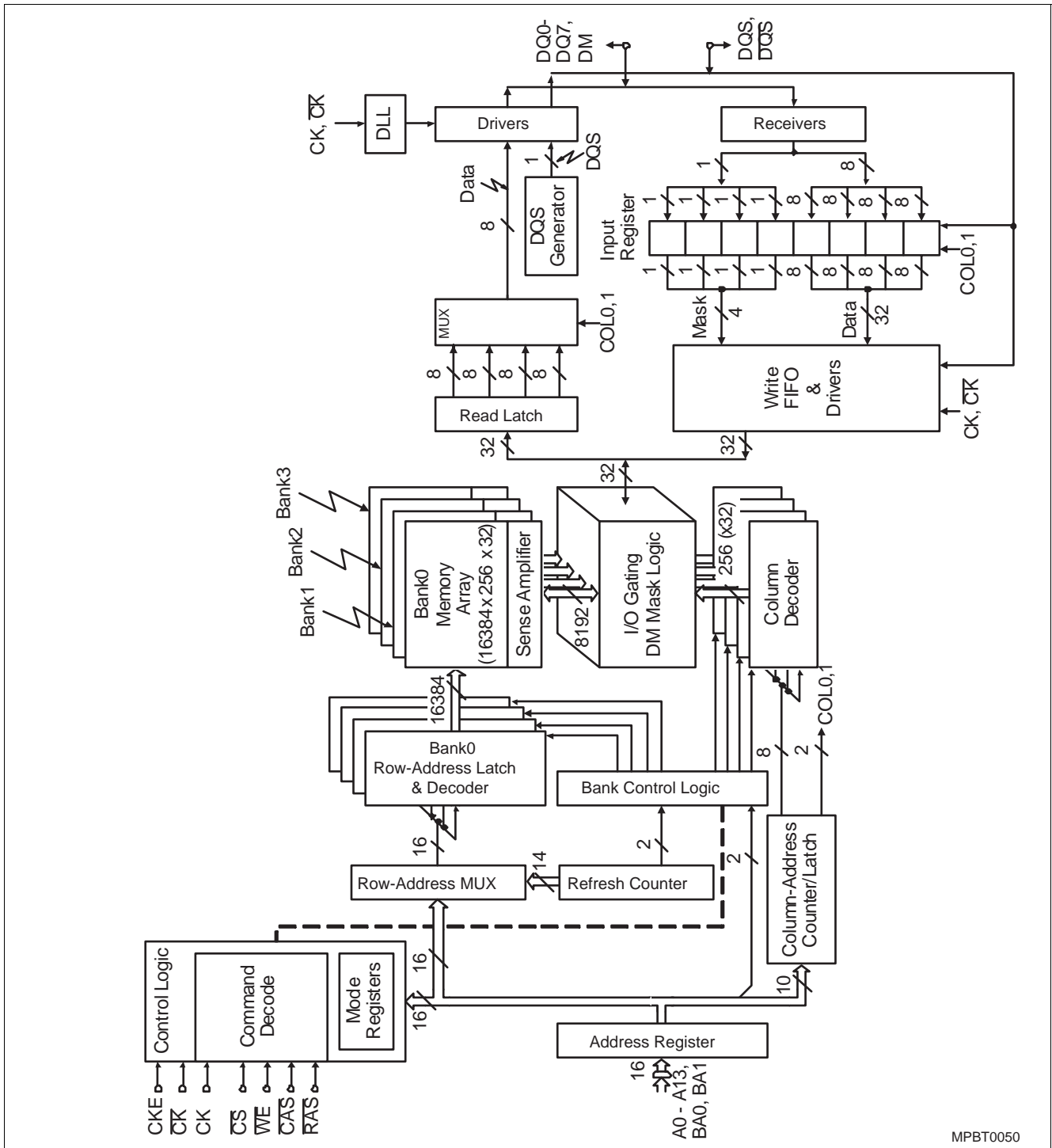


Figure 5 Block Diagram 16 Mbit x 8 I/O x 4 Internal Memory Banks

Notes

1. 64Mb x 8 Organisation with 14 Row, 2 Bank and 10 Column External Addresses
2. This Functional Block Diagram is intended to facilitate user understanding of the operation of the

device; it does not represent an actual circuit implementation.

3. DM is a unidirectional signal (input only), but is internally loaded to match the load of the bidirectional DQ and DQS signals.

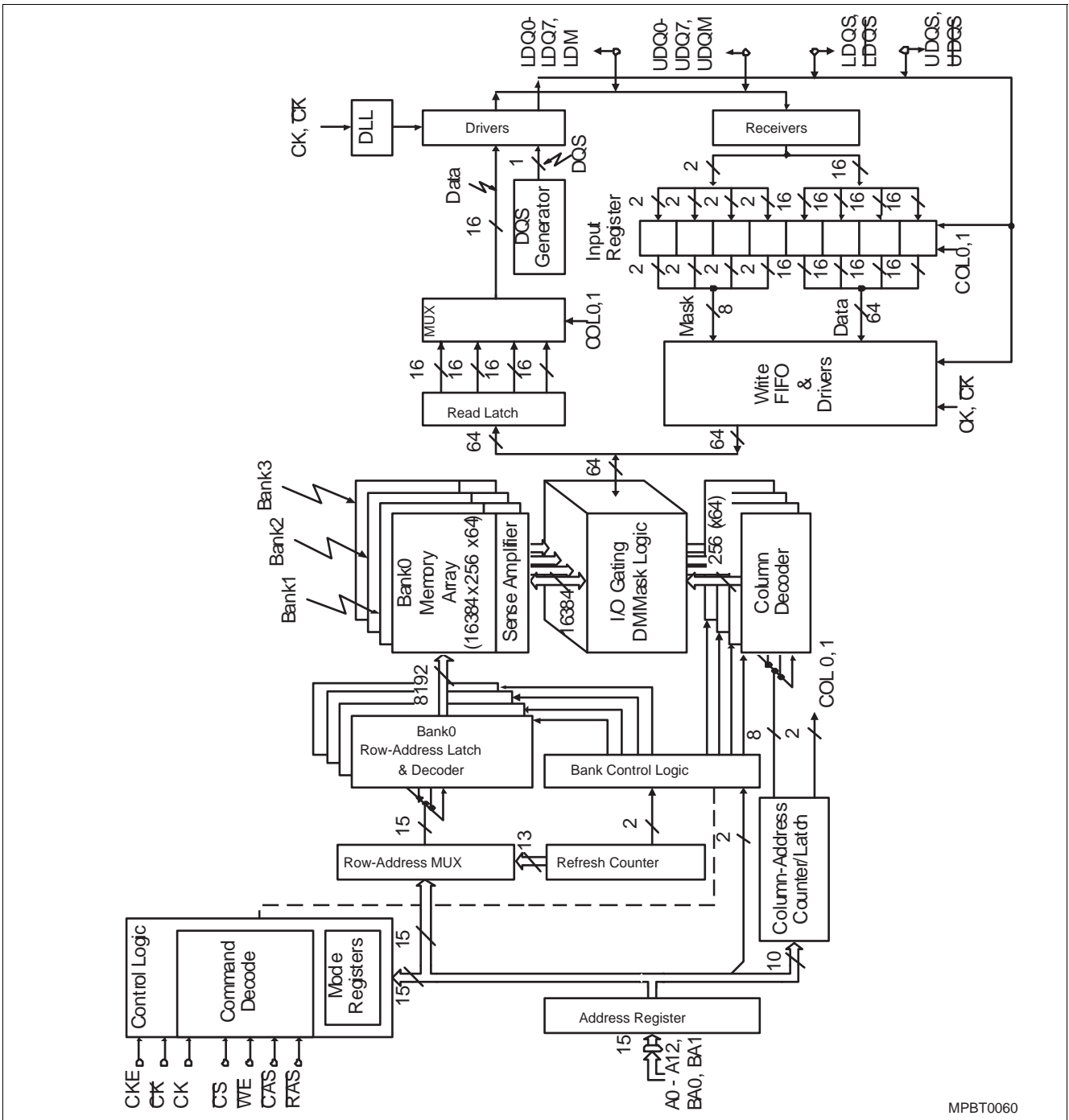


Figure 6 Block Diagram 8 Mbit \times 16 I/O \times 4 Internal Memory Banks

Notes

1. 32 Mb \times 16 Organisation with 13 Row, 2 Bank and 10 Column External Addresses
2. This Functional Block Diagram is intended to facilitate user understanding of the operation of the

device; it does not represent an actual circuit implementation.

3. LDM, UDM is a unidirectional signal (input only), but is internally loaded to match the load of the bidirectional LDQS and UDQS signals.

2 Functional Description

2.1 Simplified State Diagram

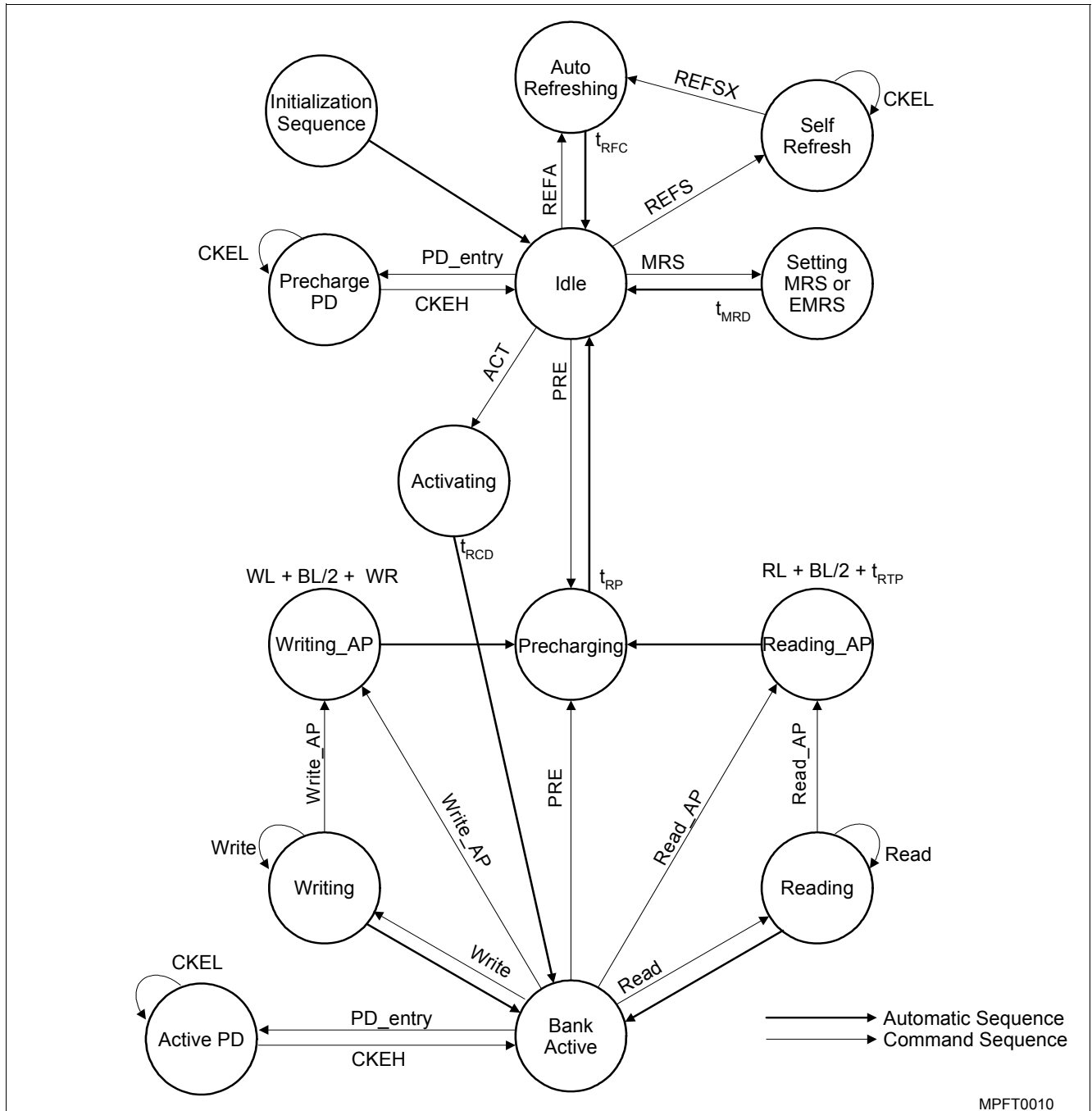


Figure 7 Simplified State Diagram

Note: This Simplified State Diagram is intended to provide a floorplan of the possible state transitions and the commands to control them. In particular situations involving more than one

bank, enabling / disabling on-die termination, Power-Down entry / exit - among other things - are not captured in full detail.

2.2 Basic Functionality

Read and write accesses to the DDR2 SDRAM are burst oriented; accesses start at a selected location and continue for the burst length of four or eight in a programmed sequence.

Accesses begin with the registration of an Activate command, which is followed by a Read or Write command. The address bits registered coincident with the activate command are used to select the bank and row to be accessed. BA[1:0] select the bank, A[13:0]

select the row for $\times 4$ and $\times 8$ components, A[12:0] select the row for $\times 16$ components.

The address bits registered coincident with the Read or Write command are used to select the starting column location for the burst access and to determine if the Auto-Precharge command is to be issued.

Prior to normal operation, the DDR2 SDRAM must be initialized. The following sections provide detailed information covering device initialization, register definition, command description and device operation.

2.2.1 Power On and Initialization

DDR2 SDRAM's must be powered up and initialized in a predefined manner. Operational procedures other than those specified may result in undefined operation.

Power-up and Initialization Sequence

The following sequence is required for POWER UP and Initialization.

1. Apply power and attempt to maintain CKE below $0.2 \times V_{DDQ}$ and ODT at a low state (all other inputs may be undefined). To guarantee ODT off, V_{REF} must be valid and a low level must be applied to the ODT pin. Maximum power up interval for V_{DD} / V_{DDQ} is specified as 10.0 ms. The power interval is defined as the amount of time it takes for V_{DD} / V_{DDQ} to power-up from 0 V to $1.8 \text{ V} \pm 100 \text{ mV}$. At least one of these two sets of conditions must be met:
 - V_{DD} , V_{DDL} and V_{DDQ} are driven from a single power converter output, AND
 - V_{TT} is limited to 0.95 V max, AND
 - V_{ref} tracks $V_{DDQ}/2$
 or
 - Apply V_{DD} before or at the same time as V_{DDL} .
 - Apply V_{DDL} before or at the same time as V_{DDQ} .
 - Apply V_{DDQ} before or at the same time as V_{TT} & V_{ref} .
2. Start clock (CK, \overline{CK}) and maintain stable power and clock condition for a minimum of 200 μs .
3. Apply NOP or Deselect commands and take CKE high.
4. Wait minimum of 400 ns, then issue a Precharge-all command.
5. Issue EMRS(2) command. To issue EMRS(2) command, provide "low" to BA0 and "high" to BA1.
6. Issue EMRS(3) command. To issue EMRS(3) command, provide "high" to BA[1:0].
7. Issue EMRS(1) to enable DLL. To issue "DLL Enable" command, provide "low" to A0 and "high" to BA0 and "low" to BA1 and A13.
8. Issue a MRS command for "DLL reset". To issue DLL reset command, provide "high" to A8 and "low" to BA[1:0] and A13.
9. Issue Precharge-all command.
10. Issue 2 or more Auto-refresh commands.
11. Issue a MRS command with low on A8 to initialize device operation (i.e. to program operating parameters without resetting the DLL.)
12. At least 200 clocks after step 8, execute Off Chip Driver impedance adjustment (OCD Calibration). If OCD calibration is not used, EMRS OCD Default command ($A9 = A8 = A7 = 1$) followed by EMRS OCD Calibration Mode Exit command ($A9 = A8 = A7 = 0$) must be issued with other operating parameters of EMRS(1).
13. The DDR2 SDRAM is now ready for normal operation.

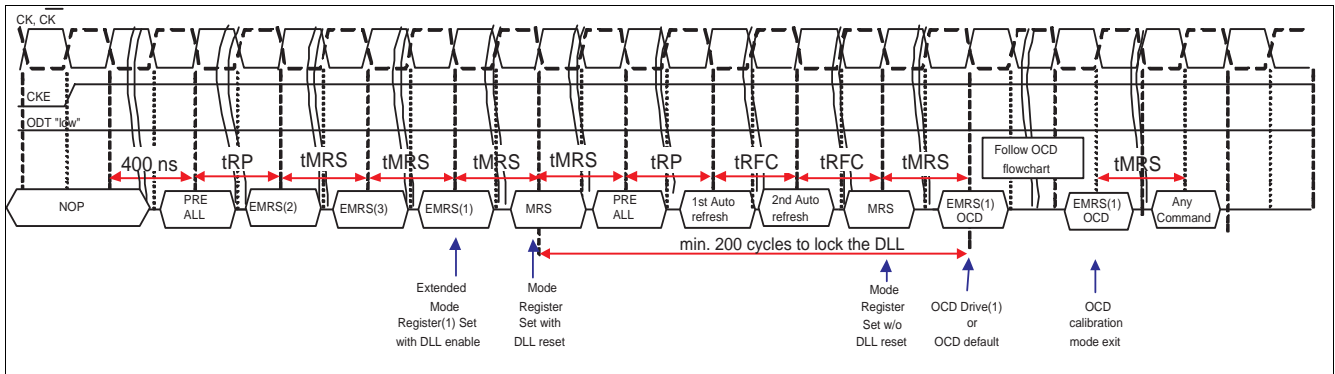


Figure 8 Initialization Sequence after Power Up

2.2.2 Programming the Mode Register and Extended Mode Registers

For application flexibility, burst length, burst type, $\overline{\text{CAS}}$ latency, DLL reset function, write recovery time (t_{WR}) are user defined variables and must be programmed with a Mode Register Set (MRS) command.

Additionally, DLL disable function, additive $\overline{\text{CAS}}$ latency, driver impedance, On Die Termination (ODT), single-ended strobe and Off Chip Driver impedance adjustment (OCD) are also user defined variables and must be programmed with an Extended Mode Register Set (EMRS) command.

Contents of the Mode Register (MRS) or Extended Mode Registers (EMRS(#)) can be altered by re-executing the MRS and EMRS Commands. If the user chooses to modify only a subset of the MRS or EMRS variables, all variables must be redefined when the MRS or EMRS commands are issued.

Also any programming of EMRS(2) or EMRS(3) must be followed by programming of MRS and EMRS(1). After initial power up, all MRS and EMRS Commands

must be issued before read or write cycles may begin. All banks must be in a precharged state and CKE must be high at least one cycle before the Mode Register Set Command can be issued. Either MRS or EMRS Commands are activated by the low signals of $\overline{\text{CS}}$, $\overline{\text{RAS}}$, $\overline{\text{CAS}}$ and $\overline{\text{WE}}$ at the positive edge of the clock.

When both bank addresses BA[1:0] are low, the DDR2 SDRAM enables the MRS command. When the bank addresses BA0 is high and BA1 is low, the DDR2 SDRAM enables the EMRS(1) command.

The address input data during this cycle defines the parameters to be set as shown in the MRS and EMRS table. A new command may be issued after the mode register set command cycle time (t_{MRD}).

MRS, EMRS and DLL Reset do not affect array contents, which means reinitialization including those can be executed any time after power-up without affecting array contents.

2.2.2.1 DDR2 SDRAM Mode Register Set (MRS)

The mode register stores the data for controlling the various operating modes of DDR2 SDRAM. It programs $\overline{\text{CAS}}$ latency, burst length, burst sequence, test mode, DLL reset, Write Recovery (WR) and various vendor specific options to make DDR2 SDRAM useful for various applications.

The default value of the mode register is not defined, therefore the mode register must be written after power-up for proper operation. The mode register is written by asserting low on $\overline{\text{CS}}$, $\overline{\text{RAS}}$, $\overline{\text{CAS}}$, $\overline{\text{WE}}$, BA[1:0], while controlling the state of address pins A[13:0]. The DDR2 SDRAM should be in all bank precharged (idle) mode with CKE already high prior to writing into the mode register. The mode register set command cycle time (t_{MRD}) is required to complete the write operation to the mode register. The mode register contents can be changed using the same command

and clock cycle requirements during normal operation as long as all banks are in the precharged state. The mode register is divided into various fields depending on functionality.

Burst length is defined by A[2:0] with options of 4 and 8 bit burst length. Burst address sequence type is defined by A3 and $\overline{\text{CAS}}$ latency is defined by A[6:4]. A7 is used for test mode and must be set to low for normal MRS operation. A8 is used for DLL reset. A[11:9] are used for write recovery time (t_{WR}) definition for Auto-Precharge mode. With address bit A12 two Power-Down modes can be selected, a "standard mode" and a "low-power" Power-Down mode, where the DLL is disabled. Address bit A13 and all "higher" address bits have to be set to "low" for compatibility with other DDR2 memory products with higher memory densities.

MR

Mode Register Definition

(BA[1:0] = 00_B)

BA1	BA0	A13	A12	A11	A10	A9	A8	A7	A6	A5	A4	A3	A2	A1	A0
0	0	0 ¹⁾	PD	WR			DLL	TM		CL			BT	BL	
reg. addr			w	w			w	w		w			w	w	

1) A13 is only available for ×4 and ×8 configuration.

Field	Bits	Type ¹⁾	Description
BL	[2:0]	w	Burst Length Number of sequential bits per DQ related to one read/write command. 010 4 011 8
BT	3	w	Burst Type See Table 12 for internal address sequence of low order address bits; see Chapter 2.6.2 . 0 Sequential 1 Interleaved
CL	[6:4]	w	CAS Latency Number of clock cycles from read command to first data valid window; see Chapter 2.6.1 . <i>Note: All other bit combinations are RESERVED.</i> 010 2 ²⁾ 011 3 100 4 101 5
TM	7	w	Test Mode 0 Normal mode 1 Vendor specific test mode
DLL	8	w	DLL Reset Reset of DLL is required after application of a stable clock; see . 0 No 1 Yes
WR	[11:9]	w	Write Recovery Number of clock cycles for write recovery during auto-precharge. WR in clock cycles is calculated by dividing t_{WR} (in ns) by t_{CK} (in ns) and rounding up to the next integer: $WR[cycles] \geq t_{WR}(ns) / t_{CK}(ns)$ The mode register must be programmed to fulfill the minimum requirement for the analogue t_{WR} timing. WR_{min} is determined by $t_{CK,max}$ and WR_{max} is determined by $t_{CK,min}$. <i>Note: All other bit combinations are RESERVED.</i> 001 2 010 3 011 4 100 5 101 6
PD	12	w	Active Power-Down Mode Select 0 Fast exit (use t_{XARD}) 1 Slow exit (use t_{XARDS})

1) w = write only register bits

2) CAS Latency 2 is optional for Jedec compliant devices. This option is implemented in this device but is neither tested nor guaranteed.

2.2.3 DDR2 SDRAM Extended Mode Register Set (EMRS(1))

The Extended Mode Register EMRS(1) stores the data for enabling or disabling the DLL, output driver strength, additive latency, OCD program, ODT, \overline{DQS} and output buffers disable, RQDS and \overline{RDQS} enable. The default value of the extended mode register EMRS(1) is not defined, therefore the extended mode register must be written after power-up for proper operation. The extended mode register is written by asserting low on CS, RAS, CAS, WE, BA1 and high on

BA0, while controlling the state of the address pins. The DDR2 SDRAM should be in all bank precharge with CKE already high prior to writing into the extended mode register. The mode register set command cycle time (t_{MRD}) must be satisfied to complete the write operation to the EMRS(1). Mode register contents can be changed using the same command and clock cycle requirements during normal operation as long as all banks are in precharge state.

EMR(1)

Extended Mode Register Definition (BA[1:0] = 01_B)

BA1	BA0	A13	A12	A11	A10	A9	A8	A7	A6	A5	A4	A3	A2	A1	A0
0	1	0 ¹⁾	Q	RDQS	\overline{DQS}	OCD Program			Rtt		AL		Rtt	DIC	DLL
reg. addr			OFF	w	w		w		w		w		w	w	w

1) A13 is only available for $\times 4$ and $\times 8$ configuration.

Field	Bits	Type ¹⁾	Description
DLL	0	w	DLL Enable The DLL must be enabled for normal operation. See . 0 Enable 1 Disable
DIC	1	w	Off-chip Driver Impedance Control 0 Normal (Driver Size = 100%) 1 Weak (Driver Size = 60%)
R _{TT}	2,6	w	Nominal Termination Resistance of ODT <i>Note: All other bit combinations are RESERVED.</i> 00 ∞ (ODT disabled) 10 75 Ohm 01 150 Ohm
AL	[5:3]	w	Additive Latency The additive latency must be programmed into the device to delay all read and write commands; see Chapter 2.5 . <i>Note: All other bit combinations are RESERVED.</i> 000 0 001 1 010 2 011 3 100 4

Field	Bits	Type ¹⁾	Description (cont'd)
OCD Program	[9:7]	w	Off-Chip Driver Calibration Program Every calibration mode command should be followed by “OCD calibration mode exit” before any other command will be issued; see Chapter 2.3 . 000 OCD calibration mode exit, maintain setting 001 Drive 1 010 Drive 0 100 Adjust mode Note: When Adjust Mode is issued, AL from previously set value must be applied. 111 OCD calibration default Note: After setting to default, OCD mode needs to be exited by setting A[9:7] to 000.
DQS	10	w	Complement Query Strobe (DQS, $\overline{\text{RDQS}}$ Output) If enabled the complement query strobe (DQS output) is driven high one clock cycle before valid query data (DQ) is driven onto the data bus; see Chapter 2.6.3 . 0 Enable 1 Disable
RDQS	11	w	Read Data Strobe Output (RDQS, $\overline{\text{RDQS}}$) 0 Disable 1 Enable
Qoff	12	w	Output Disable Disabling the DRAM outputs (DQ, DQS, $\overline{\text{DQS}}$, RDQS, $\overline{\text{RDQS}}$) allows users to measure I_{DD} during Read operations without including the output buffer current. 0 Output buffers enabled 1 Output buffers disabled

1) w = write only register bits

A0 is used for DLL enable or disable. A1 is used for enabling half-strength data-output driver. A2 and A6 enables ODT (On-Die termination) and sets the Rtt value. A[5:3] are used for additive latency settings and A[9:7] enables the OCD impedance adjustment mode. A10 enables or disables the differential DQS and RDQS signals, A11 disables or enables RDQS. Address bit A12 have to be set to “low” for normal

operation. With A12 set to “high” the SDRAM outputs are disabled and in Hi-Z. “High” on BA0 and “low” for BA1 have to be set to access the EMRS(1). A13 and all “higher” address bits have to be set to “low” for compatibility with other DDR2 memory products with higher memory densities. Refer to [Mode Register Definition \(BA\[1:0\] = 00_B\)](#).

Single-ended and Differential Data Strobe Signals

[Table 8](#) lists all possible combinations for DQS, $\overline{\text{DQS}}$, RDQS, $\overline{\text{RDQS}}$ which can be programmed by A[11:10] address bits in EMRS. RDQS and $\overline{\text{RDQS}}$ are available in $\times 8$ components only.

If RDQS is enabled in $\times 8$ components, the DM function is disabled. RDQS is active for reads and don't care for writes.

Table 8 Single-ended and Differential Data Strobe Signals

EMRS(1)		Strobe Function Matrix				Signaling
A11 (RDQS Enable)	A10 ($\overline{\text{DQS}}$ Enable)	RDQS/DM	RDQS	DQS	$\overline{\text{DQS}}$	
0 (Disable)	0 (Enable)	DM	Hi-Z	DQS	$\overline{\text{DQS}}$	differential DQS signals
0 (Disable)	1 (Disable)	DM	Hi-Z	DQS	Hi-Z	single-ended DQS signals
1 (Enable)	0 (Enable)	RDQS	$\overline{\text{RDQS}}$	DQS	$\overline{\text{DQS}}$	differential DQS signals
1 (Enable)	1 (Disable)	RDQS	Hi-Z	DQS	Hi-Z	single-ended DQS signals

DLL Enable/Disable

The DLL must be enabled for normal operation. DLL enable is required during power up initialization, and upon returning to normal operation after having the DLL disabled. The DLL is automatically disabled when entering Self-Refresh operation and is automatically re-enabled upon exit of Self-Refresh operation. Any time

the DLL is enabled (and subsequently reset), 200 clock cycles must occur before a Read command can be issued to allow time for the internal clock to be synchronized with the external clock. Failing to wait for synchronization to occur may result in a violation of the t_{AC} or t_{DQSK} parameters.

Output Disable (Qoff)

Under normal operation, the DRAM outputs are enabled during Read operation for driving data (Qoff bit in the EMRS(1) is set to 0). When the Qoff bit is set to 1, the DRAM outputs will be disabled. Disabling the

DRAM outputs allows users to measure IDD currents during Read operations, without including the output buffer current.

2.2.4 EMRS(2)

The Extended Mode Registers EMRS(2) and EMRS(3) are reserved for future use and must be programmed when setting the mode register during initialization.

The extended mode register(2) controls refresh related features. The default value of the extended mode register(2) is not defined, therefore the extended mode register(2) must be written after Power-up for proper operation.

The extended mode register EMRS(2) is written by asserting low on \overline{CS} , \overline{RAS} , \overline{CAS} , \overline{WE} , BA0 and high on

BA1, while controlling the states of the address pins. The DDR2 SDRAM should be in all bank precharge with CKE already high prior to writing into the extended mode register(2). The mode register set command cycle time (t_{MRD}) must be satisfied to complete the write operation to the extended mode register(2). Mode register contents can be changed using the same command and clock cycle requirements during normal operation as long as all banks are in precharge state.

EMRS(2) Programming

Extended Mode Register Definition

(BA[1:0] = 01_B)

BA1	BA0	A13	A12	A11	A10	A9	A8	A7	A6	A5	A4	A3	A2	A1	A0
1	0														
reg.addr															

1) A13 is only available for ×4 and ×8 configuration.

2) Must be programmed to “0”

2.2.5 EMRS(3)

The Extended Mode Register EMRS(3) is reserved for future use and all bits except BA0 and BA1 must be

programmed to 0 when setting the mode register during initialization.

EMRS(3) Programming

Extended Mode Register Definition

(BA[1:0] = 01_B)

BA1	BA0	A13	A12	A11	A10	A9	A8	A7	A6	A5	A4	A3	A2	A1	A0
1	1														
reg. addr															

1) A13 is only available for ×4 and ×8 configuration.

2) Must be programmed to “0”

2.3 Off-Chip Driver (OCD) Impedance Adjustment

DDR2 SDRAM supports driver calibration feature and the flow chart below is an example of the sequence. Every calibration mode command should be followed by "OCD calibration mode exit" before any other

command being issued. MRS should be set before entering OCD impedance adjustment and On Die Termination (ODT) should be carefully controlled depending on system environment.

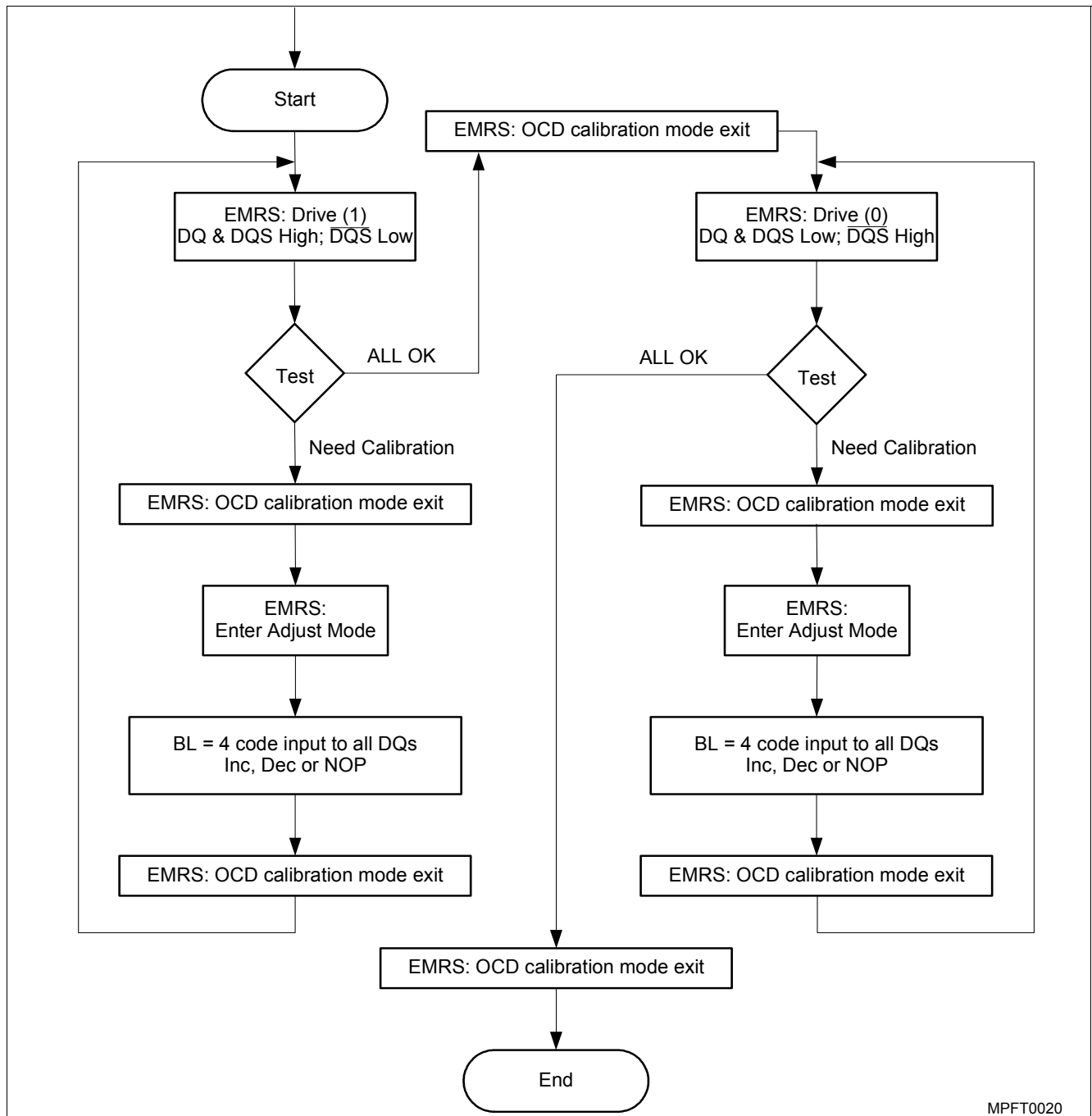


Figure 9 OCD Impedance Adjustment Flow Chart

Note

1. MRS should be set before entering OCD impedance adjustment and ODT should be carefully controlled depending on system environment

Extended Mode Register Set for OCD impedance adjustment

OCD impedance adjustment can be done using the following EMRS(1) mode. In drive mode all outputs are driven out by DDR2 SDRAM and drive of RDQS is dependent on EMRS(1) bit enabling RDQS operation. In Drive(1) mode, all DQ, DQS (and RDQS) signals are driven high and all \overline{DQS} (and \overline{RDQS}) signals are driven low. In Drive(0) mode, all DQ, DQS (and RDQS) signals are driven low and all \overline{DQS} (and \overline{RDQS}) signals are driven high. In adjust mode, BL = 4 of operation code data must be used. In case of OCD calibration default, output driver characteristics have a nominal impedance value of 18 Ohms during nominal temperature and

voltage conditions. Output driver characteristics for OCD calibration default are specified in [Table 10](#). OCD applies only to normal full strength output drive setting defined by EMRS(1) and if half strength is set, OCD default output driver characteristics are not applicable. When OCD calibration adjust mode is used, OCD default output driver characteristics are not applicable. After OCD calibration is completed or driver strength is set to default, subsequent EMRS(1) commands not intended to adjust OCD characteristics must specify A[9:7] as '000' in order to maintain the default or calibrated value.

Table 9 Output driver characteristics for OCD calibration

A9	A8	A7	Operation
0	0	0	OCD calibration mode exit
0	0	1	Drive(1) DQ, DQS, (RDQS) high and \overline{DQS} (\overline{RDQS}) low
0	1	0	Drive(0) DQ, DQS, (RDQS) low and DQS (RDQS) high
1	0	0	Adjust mode
1	1	1	OCD calibration default

OCD impedance adjust

To adjust output driver impedance, controllers must issue the ADJUST EMRS(1) command along with a 4 bit burst code to DDR2 SDRAM as in [Table 10](#). For this operation, Burst Length has to be set to BL = 4 via MRS command before activating OCD and controllers must drive the burst code to all DQs at the same time. DT0 in [Table 10](#) means all DQ bits at bit time 0, DT1 at bit time 1, and so forth. The driver output impedance is adjusted for all DDR2 SDRAM DQs simultaneously and

after OCD calibration, all DQs of a given DDR2 SDRAM will be adjusted to the same driver strength setting. The maximum step count for adjustment is 16 and when the limit is reached, further increment or decrement code has no effect. The default setting may be any step within the maximum step count range. When Adjust mode command is issued, AL from previously set value must be applied.

Table 10 Off- Chip-Driver Adjust Program

4 bit burst code inputs to all DQs				Operation	
D _{T0}	D _{T1}	D _{T2}	D _{T3}	Pull-up driver strength	Pull-down driver strength
0	0	0	0	NOP (no operation)	NOP (no operation)
0	0	0	1	Increase by 1 step	NOP
0	0	1	0	Decrease by 1 step	NOP
0	1	0	0	NOP	Increase by 1 step
1	0	0	0	NOP	Decrease by 1 step
0	1	0	1	Increase by 1 step	Increase by 1 step
0	1	1	0	Decrease by 1 step	Increase by 1 step
1	0	0	1	Increase by 1 step	Decrease by 1 step
1	0	1	0	Decrease by 1 step	Decrease by 1 step
Other Combinations				Reserved	

Functional Description

For proper operation of adjust mode, $WL = RL - 1 = AL + CL - 1$ clocks and t_{DS} / t_{DH} should be met as **Figure 10**. Input data pattern for adjustment, DT[0:3] is

fixed and not affected by MRS addressing mode (i.e. sequential or interleave).

Burst length of 4 have to be programmed in the MRS for OCD impedance adjustment.

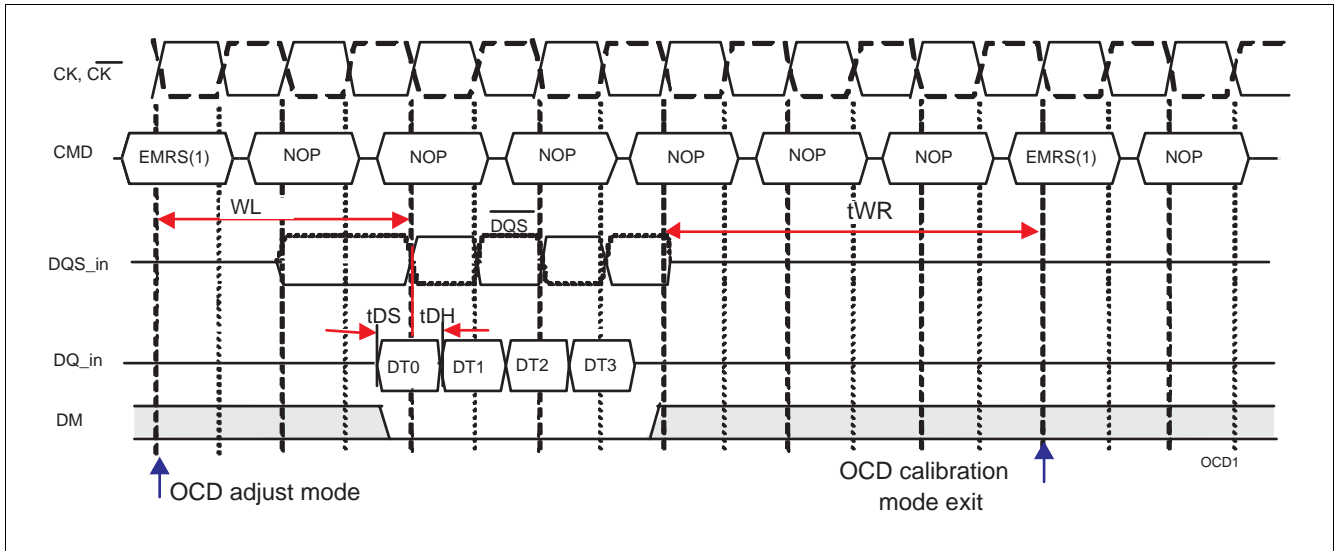


Figure 10 Timing Diagram Adjust Mode

Drive Mode

Drive mode, both Drive(1) and Drive(0), is used for controllers to measure DDR2 SDRAM Driver impedance before OCD impedance adjustment. In this mode, all outputs are driven out t_{OIT} after “enter drive

mode” command and all output drivers are turned-off t_{OIT} after “OCD calibration mode exit” command. See **Figure 11**.

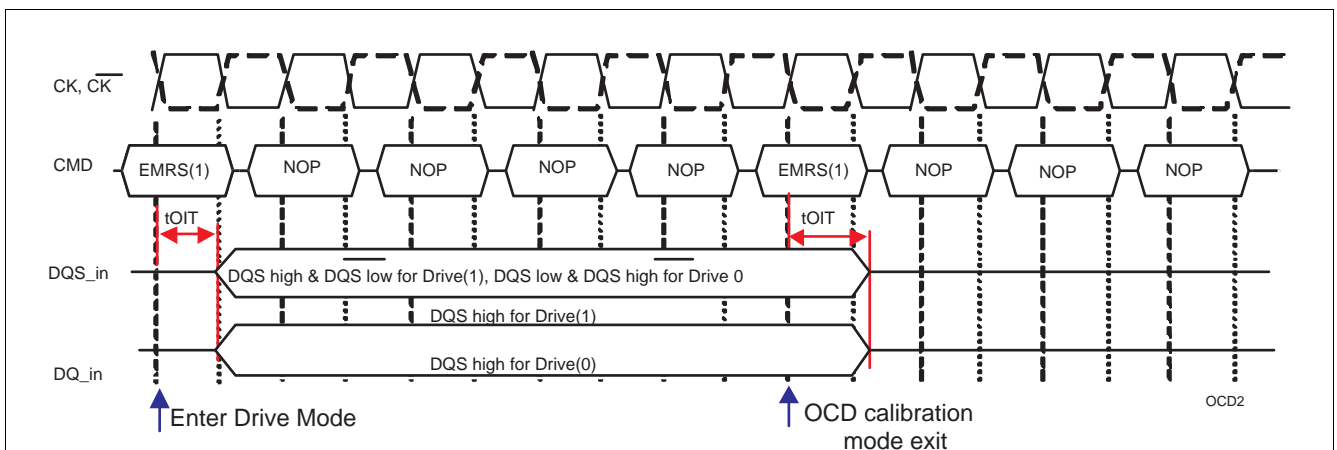


Figure 11 Timing Diagram Drive Mode

2.4 On-Die Termination (ODT)

On-Die Termination (ODT) is a new feature on DDR2 components that allows a DRAM to turn on/off termination resistance for each DQ, DQS, \overline{DQS} , DM for $\times 4$ and DQ, DQS, \overline{DQS} , DM, RDQS (DM/RDQS share the same pin), \overline{RDQS} for $\times 8$ configuration via the ODT control pin. \overline{DQS} is terminated only when enabled in the EMRS(1) by address bit A10 = 0. For $\times 8$ configuration \overline{RDQS} is only terminated, when enabled in the EMRS(1) by address bits A10 = 0 and A11 = 1.

For $\times 16$ configuration ODT is applied to each DQ, UDQS, \overline{UDQS} , LDQS, \overline{LDQS} , UDM and LDM signal via

the ODT control pin. \overline{UDQS} and \overline{LDQS} are terminated only when enabled in the EMRS(1) by address bit A10 = 0.

The ODT feature is designed to improve signal integrity of the memory channel by allowing the DRAM controller to independently turn on/off termination resistance for any or all DRAM devices.

The ODT function can be used for all active and standby modes. ODT is turned off and not supported in Self-Refresh mode.

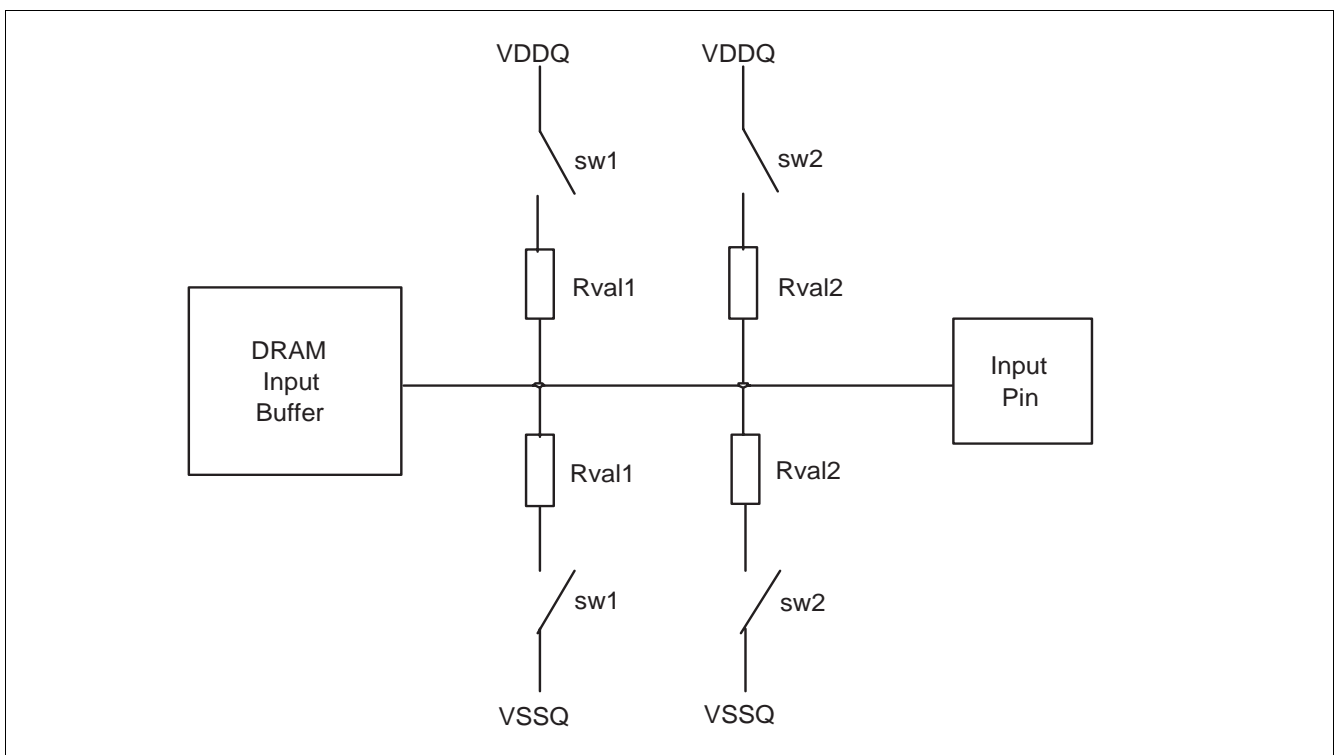


Figure 12 Functional Representation of ODT

Switch sw1 or sw2 is enabled by the ODT pin. Selection between sw1 or sw2 is determined by "Rtt (nominal)" in EMRS(1) address bits A6 & A2.

Target $R_{tt} = 0.5 \times R_{val1}$ or $0.5 \times R_{val2}$.

The ODT pin will be ignored if the Extended Mode Register (EMRS(1)) is programmed to disable ODT.

ODT Truth Tables

The ODT Truth Table shows which of the input pins are terminated depending on the state of address bit A10 and A11 in the EMRS(1) for all three device

organisations (×4, ×8 and ×16). To activate termination of any of these pins, the ODT function has to be enabled in the EMRS(1) by address bits A6 and A2.

Table 11 ODT Truth Table

Input Pin	EMRS(1) Address Bit A10	EMRS(1) Address Bit A11
×4 components		
DQ[3:0]	X	X
DQS	X	X
$\overline{\text{DQS}}$	0	X
DM	X	X
×8 components		
DQ[7:0]	X	X
DQS	X	X
$\overline{\text{DQS}}$	0	X
RDQS	X	1
$\overline{\text{RDQS}}$	0	1
DM	X	0
×16 components		
DQ[15:0]	X	X
LDQS	X	X
$\overline{\text{LDQS}}$	0	X
UDQS	X	X
$\overline{\text{UDQS}}$	0	X
LDM	X	X
UDM	X	X

Note: X = don't care; 0 = bit set to low; 1 = bit set to high

ODT timing modes

Depending on the operating mode synchronous or asynchronous ODT timings apply. Synchronous timings (t_{AOND} , t_{AOFD} , t_{AON} and t_{AOF}) apply for all modes, when the on-die DLL is enabled.

These modes are:

- Active Mode
- Standby Mode
- Fast Exit Active Power Down Mode (with MRS bit A12 is set to "0")

Asynchronous ODT timings (t_{AOFPD} , t_{AONPD}) apply when the on-die DLL is disabled.

These modes are:

- Slow Exit Active Power Down Mode (with MRS bit A12 is set to "1")
- Precharge Power Down Mode

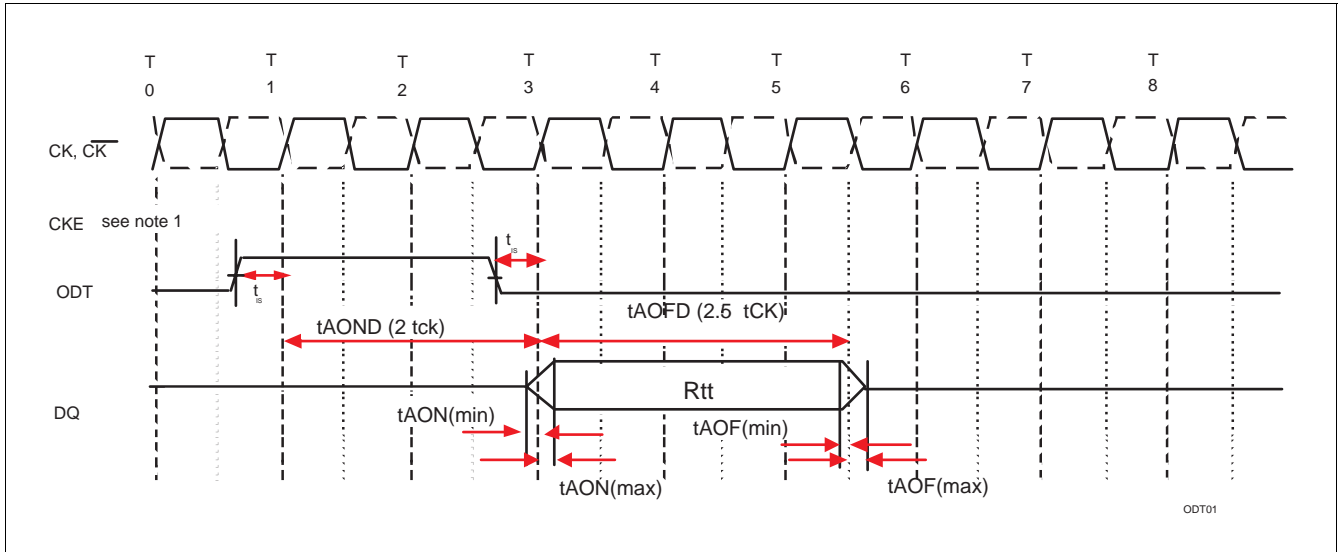


Figure 13 ODT Timing for Active and Standby (Idle) Modes

Note:

1. Synchronous ODT timings apply for Active Mode and Standby Mode with CKE "high" and for the "Fast Exit" Active Power Down Mode (MRS bit A12 set to "0"). In all these modes the on-die DLL is enabled.
2. ODT turn-on time ($t_{AON,min}$) is when the device leaves high impedance and ODT resistance begins to turn on. ODT turn on time max. ($t_{AON,max}$) is when the ODT resistance is fully on. Both are measured from t_{AOND} .
3. ODT turn off time min. ($t_{AOF,min}$) is when the device starts to turn off the ODT resistance. ODT turn off time max. ($t_{AOF,max}$) is when the bus is in high impedance. Both are measured from t_{AOFD} .

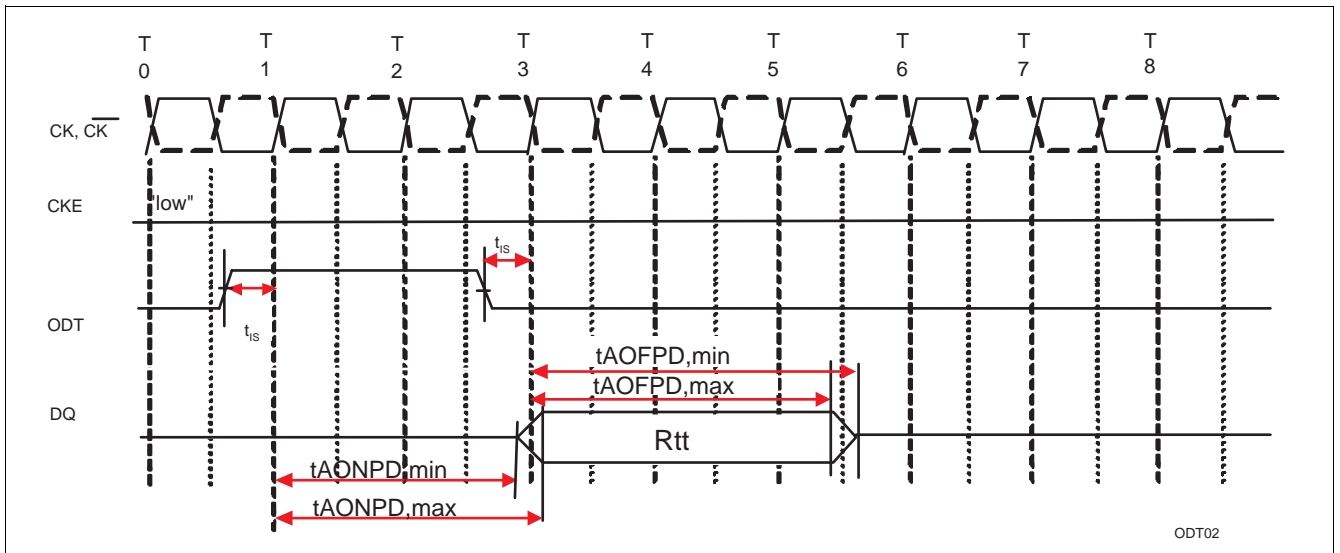


Figure 14 ODT Timing for Precharge Power-Down and Active Power-Down Mode (with slow exit) (Asynchronous ODT timings)

Note: Asynchronous ODT timings apply for Precharge Power-Down Mode and "Slow Exit" Active Power Down Mode (MRS bit A12 set to "1"), where the on-die DLL is disabled in this mode of operation.

Mode entry:

As long as the timing parameter $t_{ANPD, min}$ is satisfied when ODT is turned on or off before entering these power-down modes, synchronous timing parameters

can be applied. If $t_{ANPD, min}$ is not satisfied, asynchronous timing parameters apply.

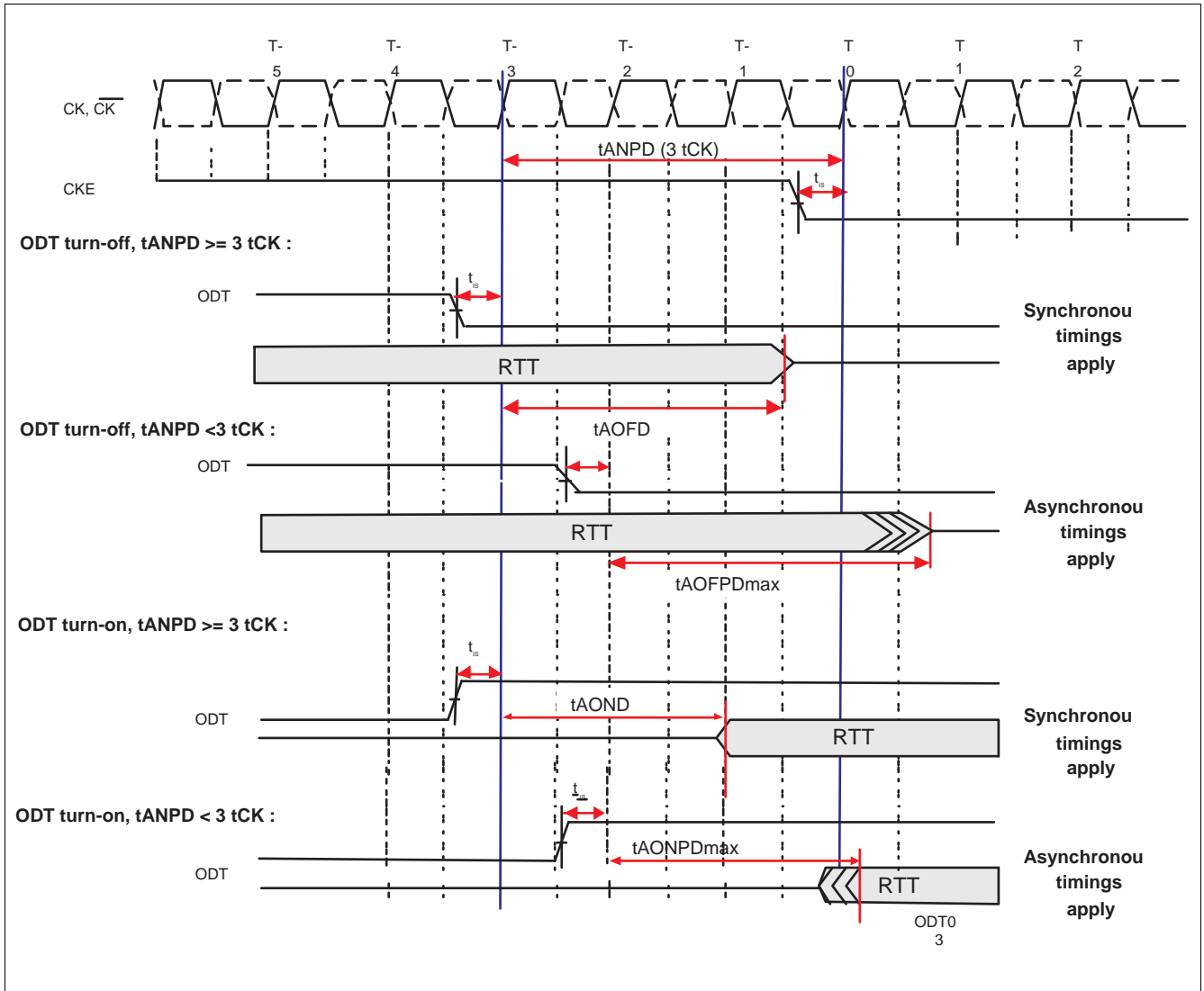


Figure 15 ODT Mode entry Timing Diagram

Mode exit:

As long as the timing parameter $t_{AXPD, min}$ is satisfied when ODT is turned on or off after exiting these power-down modes, synchronous timing parameters can be

applied. If $t_{AXPD, min}$ is not satisfied, asynchronous timing parameters apply.

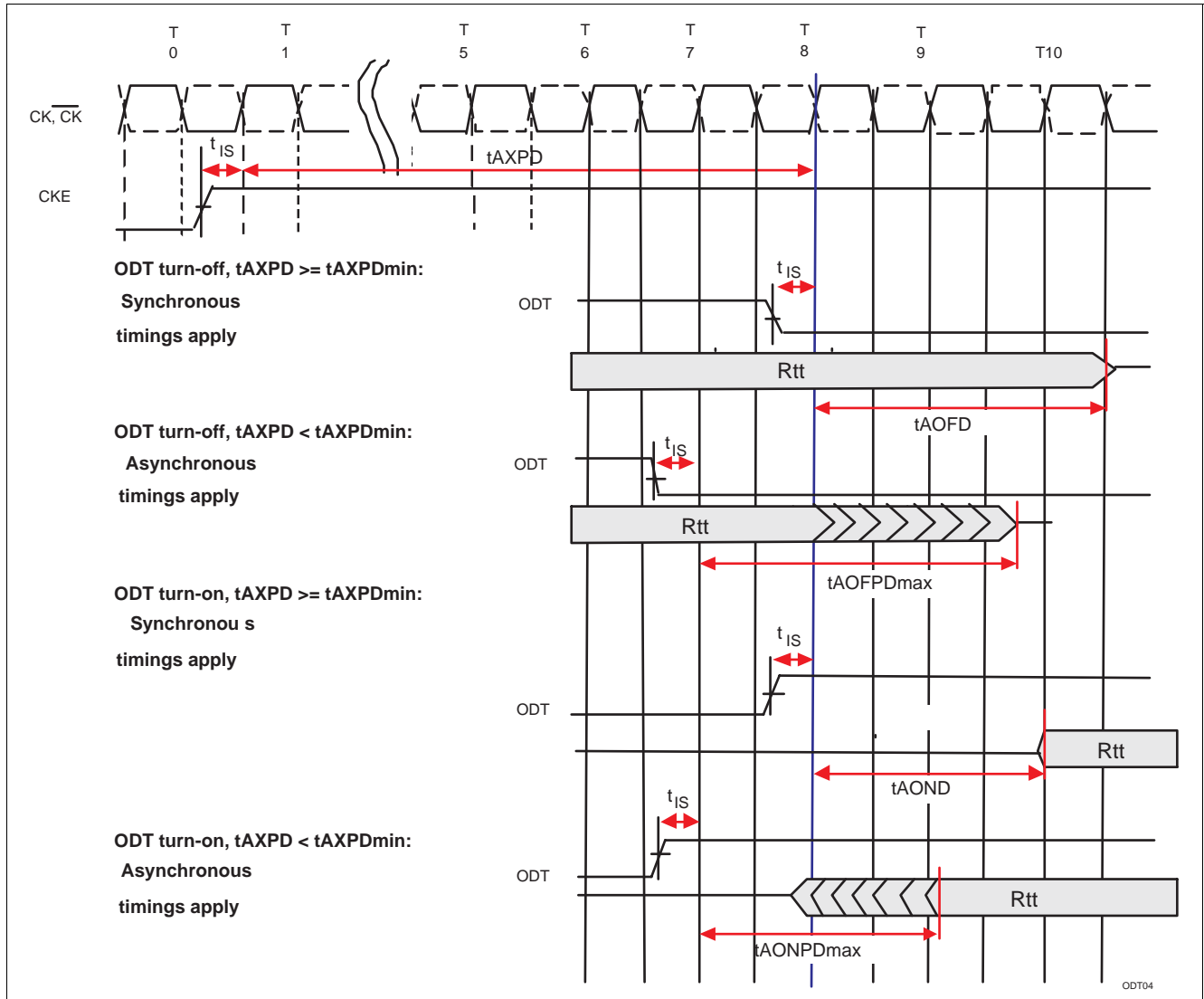


Figure 16 ODT Mode exit Timing Diagram

2.5 Bank Activate Command

The Bank Activate command is issued by holding \overline{CAS} and \overline{WE} high with \overline{CS} and \overline{RAS} low at the rising edge of the clock. The bank addresses BA[1:0] are used to select the desired bank. The row addresses A0 through A13 are used to determine which row to activate in the selected bank for $\times 4$ and $\times 8$ organised components. For $\times 16$ components row addresses A0 through A12 have to be applied. The Bank Activate command must be applied before any Read or Write operation can be executed. Immediately after the bank active command, the DDR2 SDRAM can accept a read or write command

(with or without Auto-Precharge) on the following clock cycle. If a R/W command is issued to a bank that has not satisfied the $t_{RCD, min}$ specification, then additive latency must be programmed into the device to delay the R/W command which is internally issued to the device. The additive latency value must be chosen to assure $t_{RCD, min}$ is satisfied. Additive latencies of 0, 1, 2, 3 and 4 are supported. Once a bank has been activated it must be precharged before another Bank Activate command can be applied to the same bank. The bank active and precharge times are defined as t_{RAS} and t_{RP} ,

respectively. The minimum time interval between successive Bank Activate commands to the same bank is determined (t_{RC}). The minimum time interval between Bank Active commands, to any other bank, is the Bank A to Bank B delay time (t_{RRD}).

In order to ensure that components with 8 internal memory banks do not exceed the instantaneous current supplying capability, certain restrictions on operation of the 8 banks must be observed. There are two rules.

One for restricting the number of sequential Active commands that can be issued and another for allowing

more time for \overline{RAS} precharge for a Precharge-All command. The rules are as follows:

1. Sequential Bank Activation Restriction (JEDEC ballot item 1293.15): No more than 4 banks may be activated in a rolling t_{FAW} window. Converting to clocks is done by dividing $t_{FAW(ns)}$ by $t_{CK(ns)}$ and rounding up to next integer value. As an example of the rolling window, if (t_{FAW}/t_{CK}) rounds up to 10 clocks, and an activate command is issued in clock N, no more than three further activate commands may be issued in clocks N + 1 through N + 9.
2. Precharge All Allowance: t_{RP} for a Precharge-All command will equal to $t_{RP} + 1 t_{CK}$, where t_{RP} is the value for a single bank precharge.

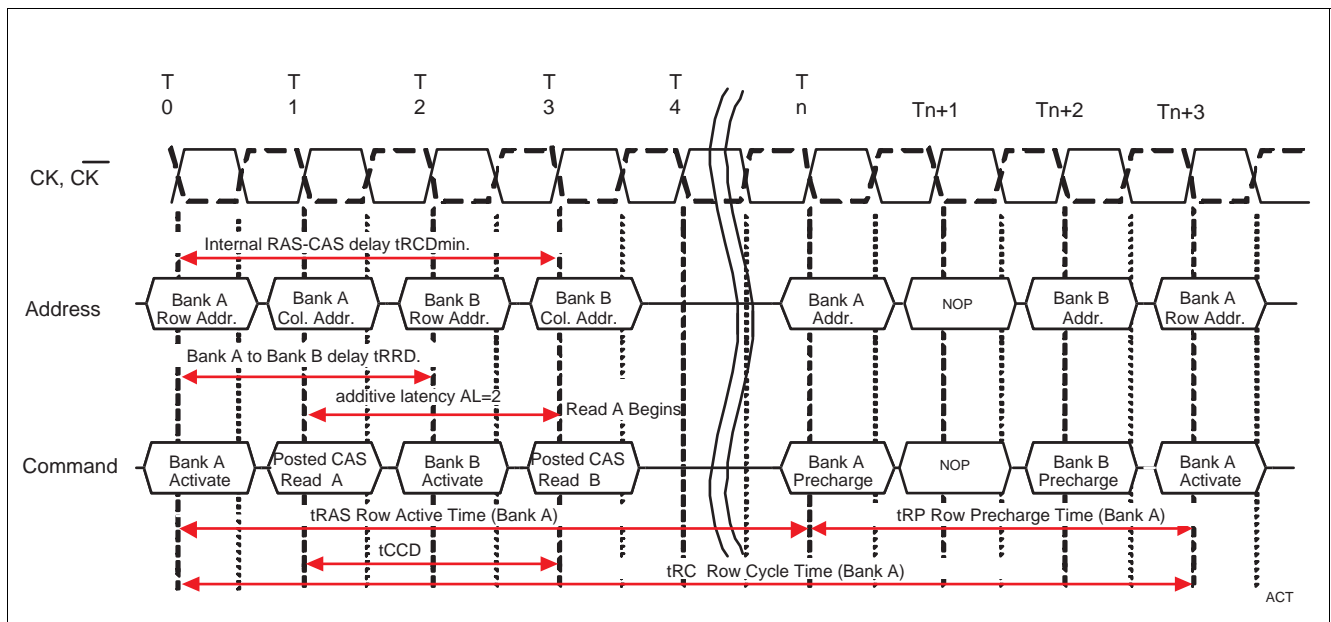


Figure 17 Bank Activate Command Cycle: $t_{RCD} = 3$, $AL = 2$, $t_{RP} = 3$, $t_{RRD} = 2$

2.6 Read and Write Commands and Access Modes

After a bank has been activated, a read or write cycle can be executed. This is accomplished by setting \overline{RAS} high, \overline{CS} and \overline{CAS} low at the clock's rising edge. \overline{WE} must also be defined at this time to determine whether the access cycle is a read operation (\overline{WE} high) or a write operation (\overline{WE} low). The DDR2 SDRAM provides a wide variety of fast access modes. A single Read or Write Command will initiate a serial read or write operation on successive clock cycles at data rates of up to 667 Mb/sec/pin for main memory. The boundary of the burst cycle is restricted to specific segments of the page length.

For example, the 32Mbit \times 4 I/O \times 4 Bank chip has a page length of 2048 bits (defined by CA[9:0] & CA11).

In case of a 4-bit burst operation (burst length = 4) the page length of 2048 is divided into 512 uniquely addressable segments (4-bits \times 4 I/O each). The 4-bit burst operation will occur entirely within one of the 512 segments (defined by CA[8:0] beginning with the column address supplied to the device during the Read or Write Command (CA[9:0] & A11). The second, third and fourth access will also occur within this segment, however, the burst order is a function of the starting address, and the burst sequence.

In case of a 8-bit burst operation (burst length = 8) the page length of 2048 is divided into 256 uniquely addressable double segments (8-bits \times 4 I/O each). The 8-bit burst operation will occur entirely within one of the 256 double segments (defined by CA[7:0])

Functional Description

beginning with the column address supplied to the device during the Read or Write Command (CA[9:0] & CA11).

A new burst access must not interrupt the previous 4 bit burst operation in case of BL = 4 setting. Therefore the

minimum CAS to CAS delay (t_{CCD}) is a minimum of 2 clocks for read or write cycles.

For 8 bit burst operation (BL = 8) the minimum CAS to CAS delay (t_{CCD}) is 4 clocks for read or write cycles.

Burst interruption is allowed with 8 bit burst operation. For details see [Chapter 2.6.6](#).

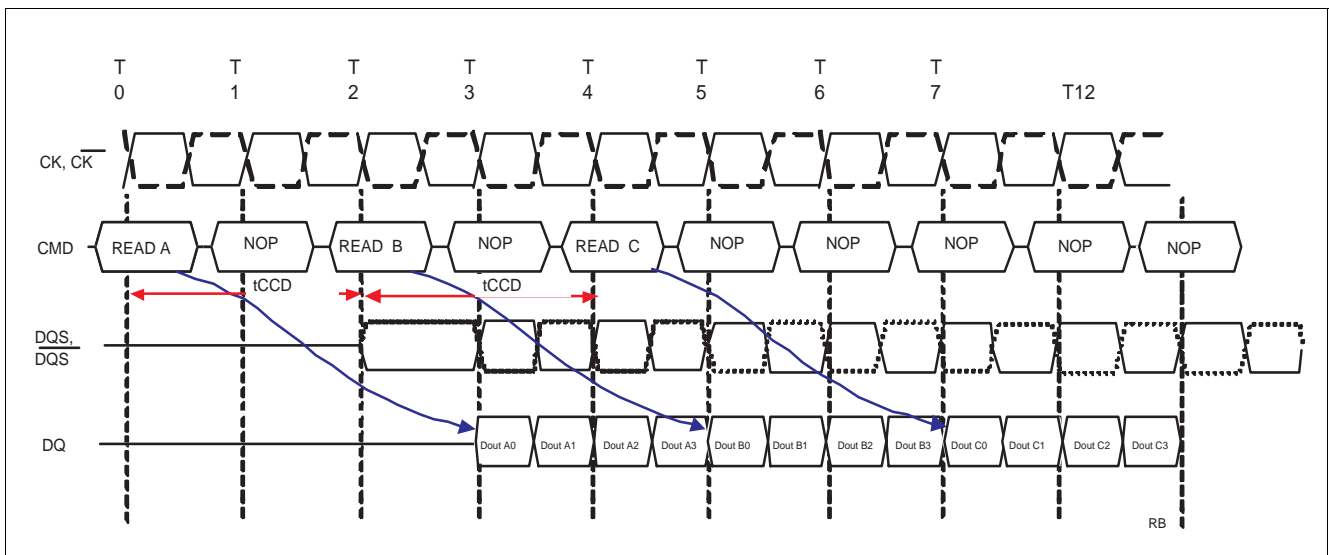


Figure 18 Read Burst Timing Example: (CL = 3, AL = 0, RL = 3, BL = 4)

2.6.1 Posted CAS

Posted CAS operation is supported to make command and data bus efficient for sustainable bandwidths in DDR2 SDRAM. In this operation, the DDR2 SDRAM allows a Read or Write command to be issued immediately after the RAS bank activate command (or any time during the RAS to CAS delay time, t_{RCD} period). The command is held for the time of the Additive Latency (AL) before it is issued inside the device. The Read Latency (RL) is the sum of AL and

the CAS latency (CL). Therefore if a user chooses to issue a Read/Write command before the $t_{RCD, min}$, then AL greater than 0 must be written into the EMRS(1). The Write Latency (WL) is always defined as RL - 1 (Read Latency - 1) where Read Latency is defined as the sum of Additive Latency plus CAS latency (RL=AL+CL). If a user chooses to issue a Read command after the $t_{RCD, min}$ period, the Read Latency is also defined as RL = AL + CL.

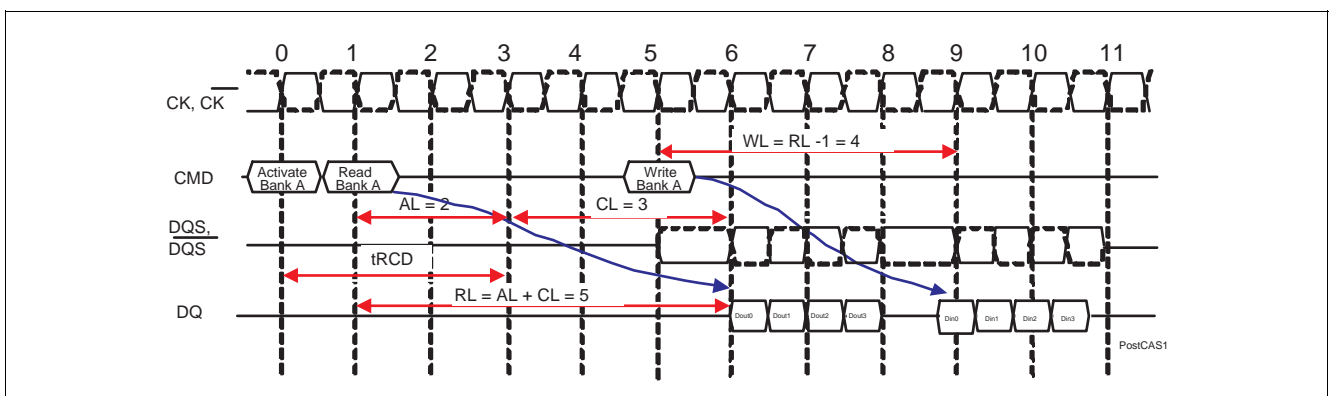


Figure 19 Activate to Read Timing Example : Read followed by a write to the same bank, Activate to Read delay $< t_{RCDmin}$: AL = 2 and CL = 3, RL = (AL + CL) = 5, WL = (RL - 1) = 4, BL = 4

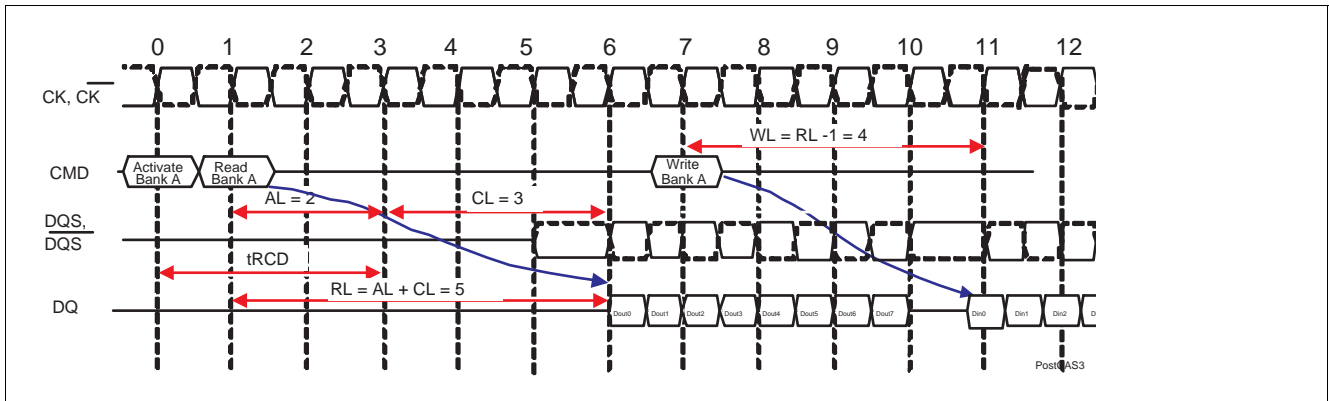


Figure 20 Read to Write Timing Example : Read followed by a write to the same bank, Activate to Read delay $< t_{RCDmin}$: $AL = 2$ and $CL = 3$, $RL = (AL + CL) = 5$, $WL = (RL - 1) = 4$, $BL = 8$

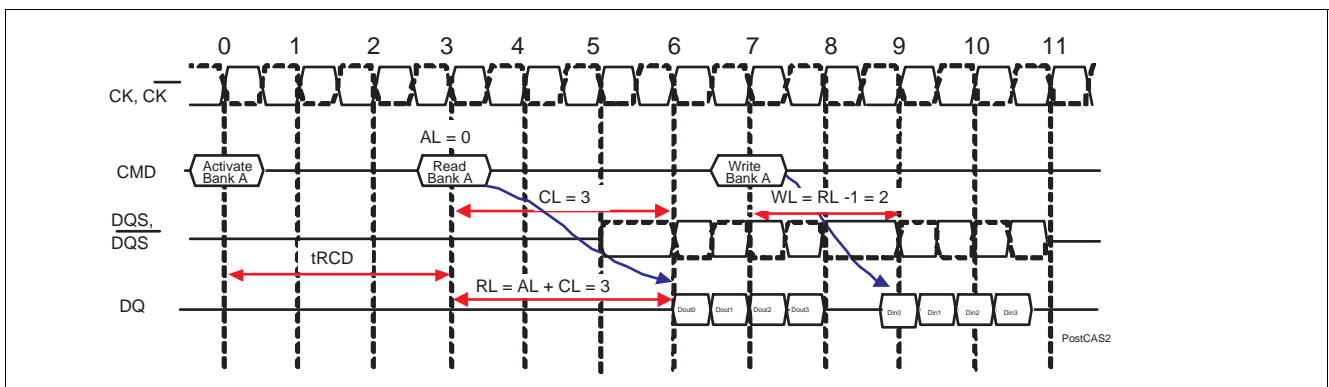


Figure 21 Read to Write Timing Example : Read followed by a write to the same bank, Activate to Read delay $= t_{RCDmin}$: $AL = 0$, $CL = 3$, $RL = (AL + CL) = 3$, $WL = (RL - 1) = 2$, $BL = 4$

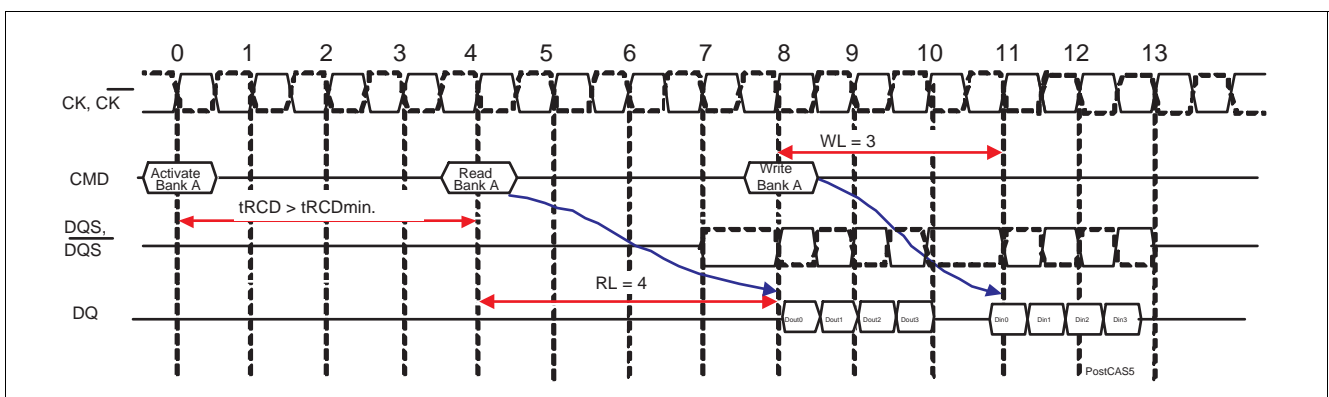


Figure 22 Read to Write Timing Example : Read followed by a write to the same bank, Activate to Read delay $> t_{RCDmin}$: $AL = 1$, $CL = 3$, $RL = 4$, $WL = 3$, $BL = 4$

2.6.2 Burst Mode Operation

Burst mode operation is used to provide a constant flow of data to memory locations (write cycle), or from memory locations (read cycle). The parameters that define how the burst mode will operate are burst sequence and burst length. The DDR2 SDRAM supports 4 bit and 8 bit burst modes only. For 8 bit burst

mode, full interleave address ordering is supported, however, sequential address ordering is nibble based for ease of implementation. The burst length is programmable and defined by the addresses A[2:0] of the MRS. The burst type, either sequential or interleaved, is programmable and defined by the

address bit 3 (A3) of the MRS. Seamless burst read or write operations are supported. Interruption of a burst read or write operation is prohibited, when burst length = 4 is programmed. For burst interruption of a read or

write burst when burst length = 8 is used, see the [Chapter 2.6.6](#). A Burst Stop command is not supported on DDR2 SDRAM devices.

Table 12 Burst Length and Sequence

Burst Length	Starting Address (A2 A1 A0)	Sequential Addressing (decimal)	Interleave Addressing (decimal)
4	0 0 0	0, 1, 2, 3	0, 1, 2, 3
	0 0 1	1, 2, 3, 0	1, 0, 3, 2
	0 1 0	2, 3, 0, 1	2, 3, 0, 1
	0 1 1	3, 0, 1, 2	3, 2, 1, 0
8	0 0 0	0, 1, 2, 3, 4, 5, 6, 7	0, 1, 2, 3, 4, 5, 6, 7
	0 0 1	1, 2, 3, 0, 5, 6, 7, 4	1, 0, 3, 2, 5, 4, 7, 6
	0 1 0	2, 3, 0, 1, 6, 7, 4, 5	2, 3, 0, 1, 6, 7, 4, 5
	0 1 1	3, 0, 1, 2, 7, 4, 5, 6	3, 2, 1, 0, 7, 6, 5, 4
	1 0 0	4, 5, 6, 7, 0, 1, 2, 3	4, 5, 6, 7, 0, 1, 2, 3
	1 0 1	5, 6, 7, 4, 1, 2, 3, 0	5, 4, 7, 6, 1, 0, 3, 2
	1 1 0	6, 7, 4, 5, 2, 3, 0, 1	6, 7, 4, 5, 2, 3, 0, 1
	1 1 1	7, 4, 5, 6, 3, 0, 1, 2	7, 6, 5, 4, 3, 2, 1, 0

Note:

1. Page length is a function of I/O organization: 128Mb X 4 organization (CA[9:0], CA11); Page Length = 1 kByte; 64Mb X 8 organization (CA[9:0]); Page Length = 1 kByte; 32Mb X 16 organization (CA[9:0]); Page Length = 2 kByte
2. Order of burst access for sequential addressing is “nibble-based” and therefore different from SDR or DDR components

2.6.3 Read Command

The Read command is initiated by having $\overline{\text{CS}}$ and $\overline{\text{CAS}}$ low while holding $\overline{\text{RAS}}$ and $\overline{\text{WE}}$ high at the rising edge of the clock. The address inputs determine the starting column address for the burst. The delay from the start of the command until the data from the first cell appears on the outputs is equal to the value of the read latency (RL). The data strobe output (DQS) is driven low one clock cycle before valid data (DQ) is driven onto the

data bus. The first bit of the burst is synchronized with the rising edge of the data strobe (DQS). Each subsequent data-out appears on the DQ pin in phase with the DQS signal in a source synchronous manner. The RL is equal to an additive latency (AL) plus $\overline{\text{CAS}}$ latency (CL). The CL is defined by the Mode Register Set (MRS). The AL is defined by the Extended Mode Register Set (EMRS(1)).

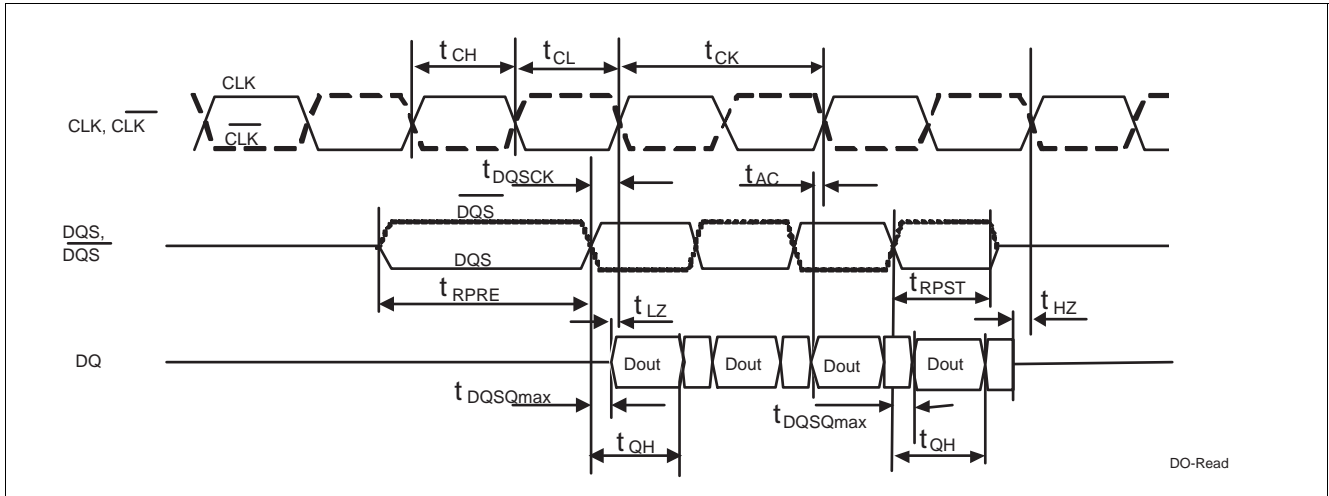


Figure 23 Basic Read Timing Diagram

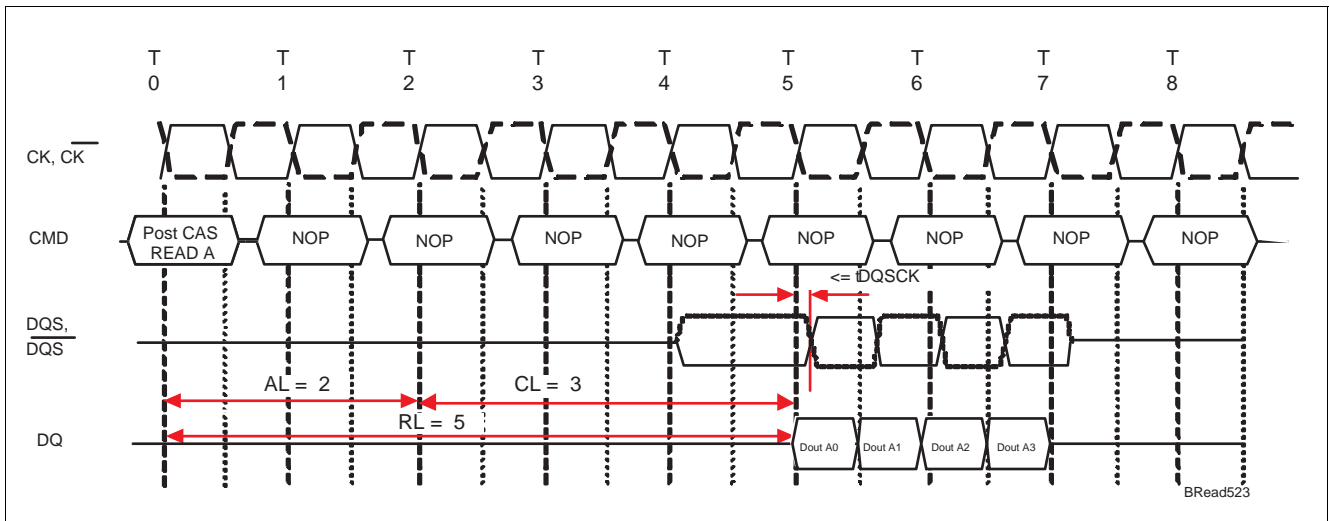


Figure 24 Burst Operation Example 1: RL = 5 (AL = 2, CL = 3, BL = 4)

The seamless read operation is supported by enabling a read command at every BL / 2 number of clocks. This operation is allowed regardless of same or different banks as long as the banks are activated.

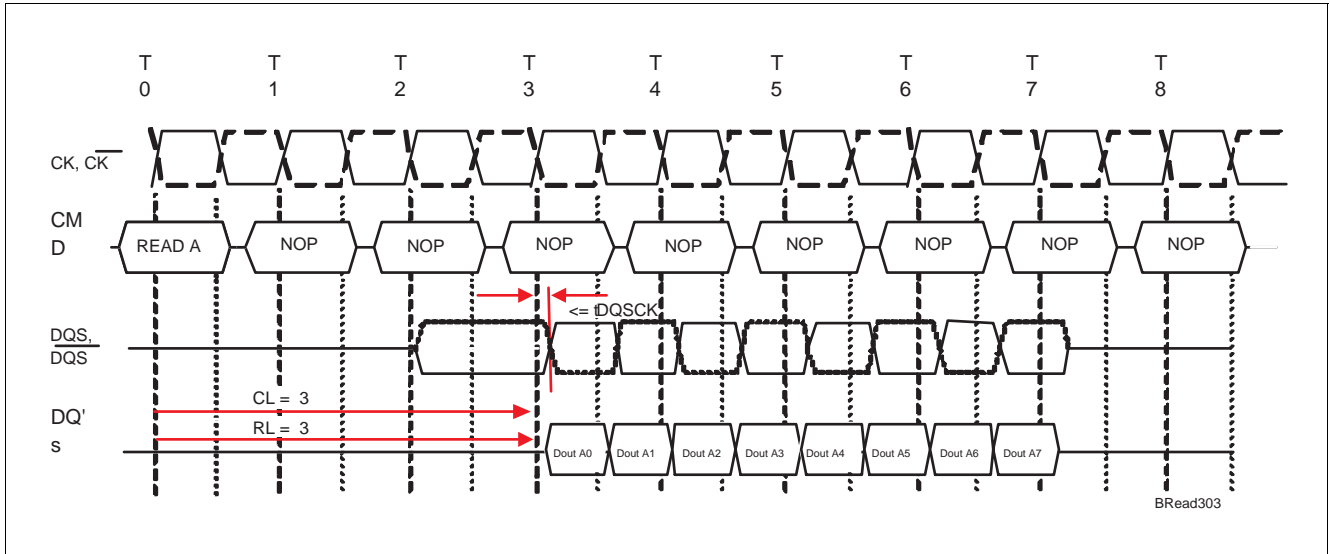


Figure 25 Read Operation Example 2: $RL = 3$ ($AL = 0$, $CL = 3$, $BL = 8$)

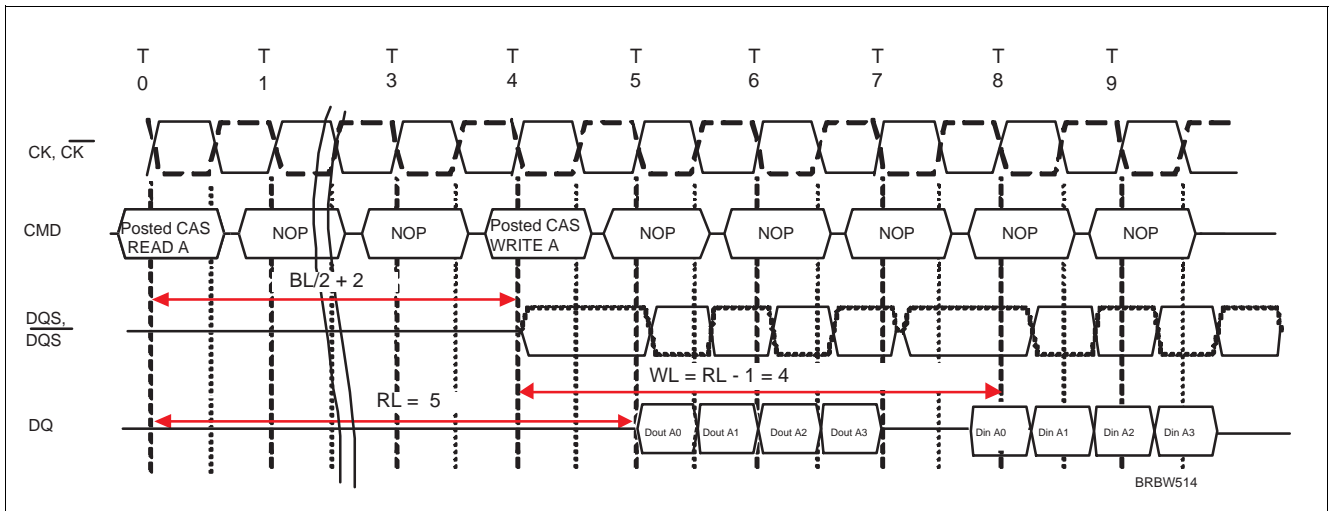


Figure 26 Read followed by Write Example: $RL = 5$, $WL = (RL - 1) = 4$, $BL = 4$

The minimum time from the read command to the write command is defined by a read-to-write turn-around time, which is $BL/2 + 2$ clocks.

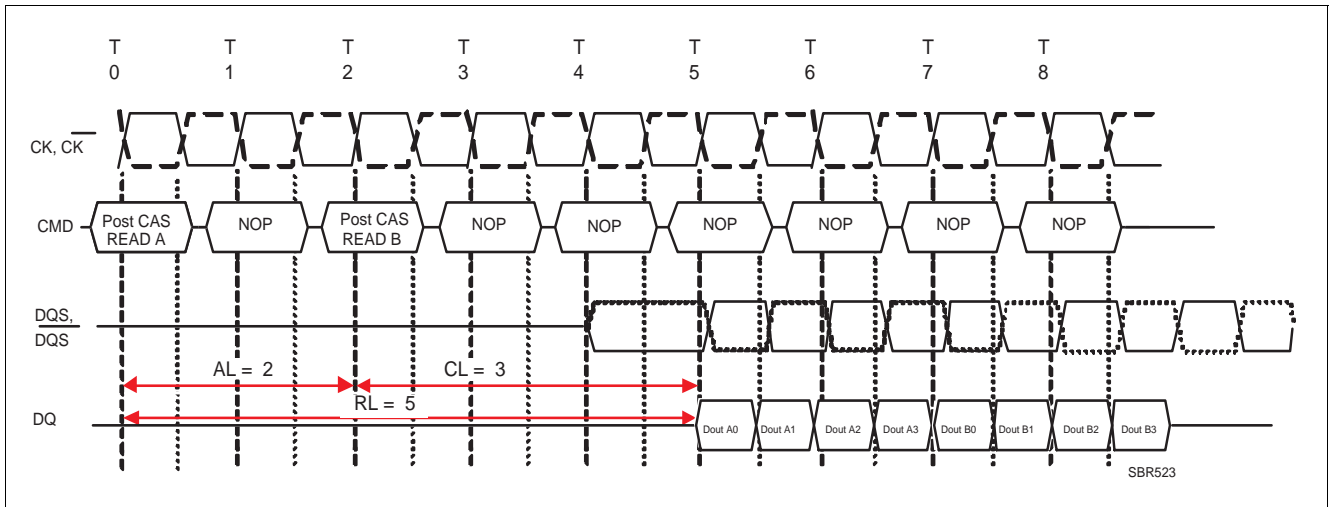


Figure 27 Seamless Read Operation Example: RL = 5, AL = 2, CL = 3, BL = 4

The seamless read operation is supported by enabling a read command at every BL / 2 number of clocks. This operation is allowed regardless of same or different banks as long as the banks are activated.

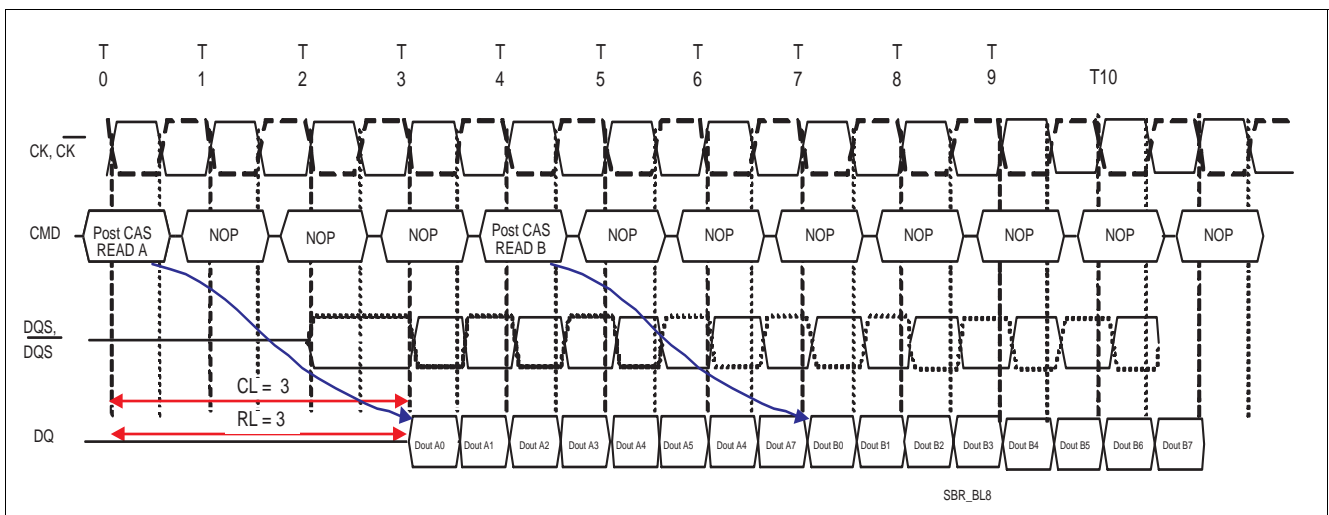


Figure 28 Seamless Read Operation Example: RL = 3, AL = 0, CL = 3, BL = 8 (non interrupting)

The seamless, non interrupting 8-bit read operation is supported by enabling a read command at every BL/2 number of clocks. This operation is allowed regardless of same or different banks as long as the banks are activated.

2.6.4 Write Command

The Write command is initiated by having \overline{CS} , \overline{CAS} and \overline{WE} low while holding \overline{RAS} high at the rising edge of the clock. The address inputs determine the starting column address. Write latency (WL) is defined by a read latency (RL) minus one and is equal to $(AL + CL - 1)$. A data strobe signal (DQS) has to be driven low (preamble) a time t_{WPRE} prior to the WL. The first data bit of the burst cycle must be applied to the DQ pins at the first rising edge of the DQS following the preamble. The t_{DQSS} specification must be satisfied for write cycles. The subsequent burst bit data are issued on

successive edges of the DQS until the burst length is completed. When the burst has finished, any additional data supplied to the DQ pins will be ignored. The DQ signal is ignored after the burst write operation is complete. The time from the completion of the burst write to bank precharge is named "write recovery time" (t_{WR}) and is the time needed to store the write data into the memory array. t_{WR} is an analog timing parameter (see [AC & DC Operating Conditions](#)) and is not the programmed value for WR in the MRS.

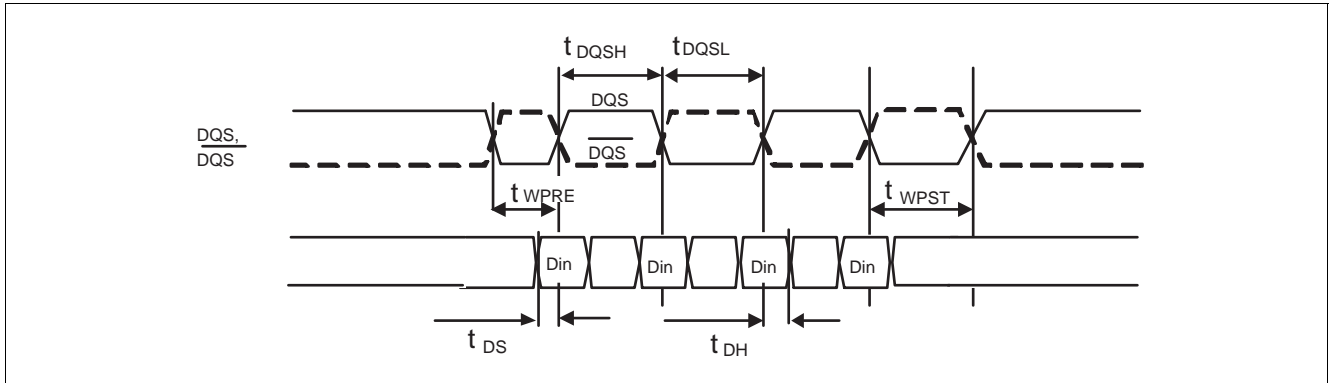


Figure 29 Basic Write Timing

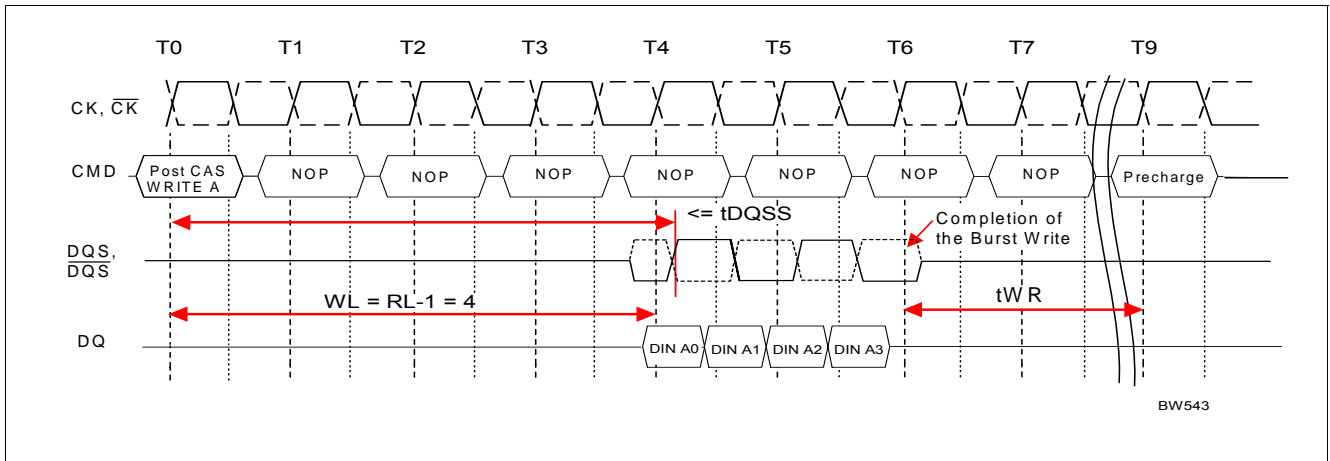


Figure 30 Example Timing Diagram : Write Operation: RL = 5 (AL = 2, CL = 3), WL = 4, BL = 4

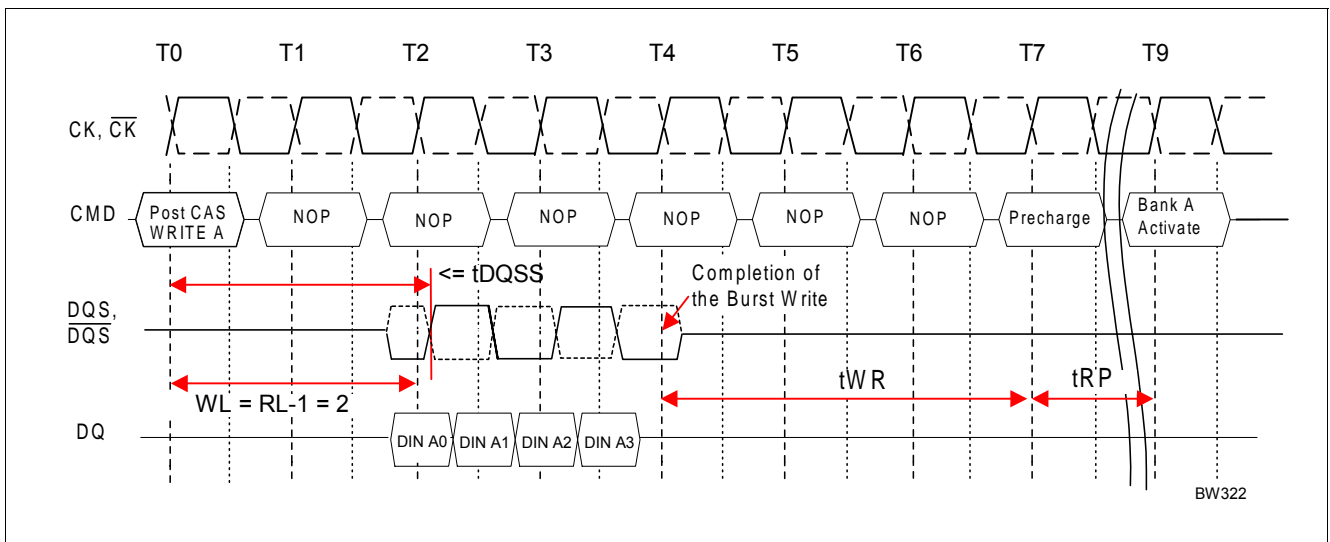


Figure 31 Write Operation Example: RL = 3 (AL = 0, CL = 3), WL = 2, BL = 4

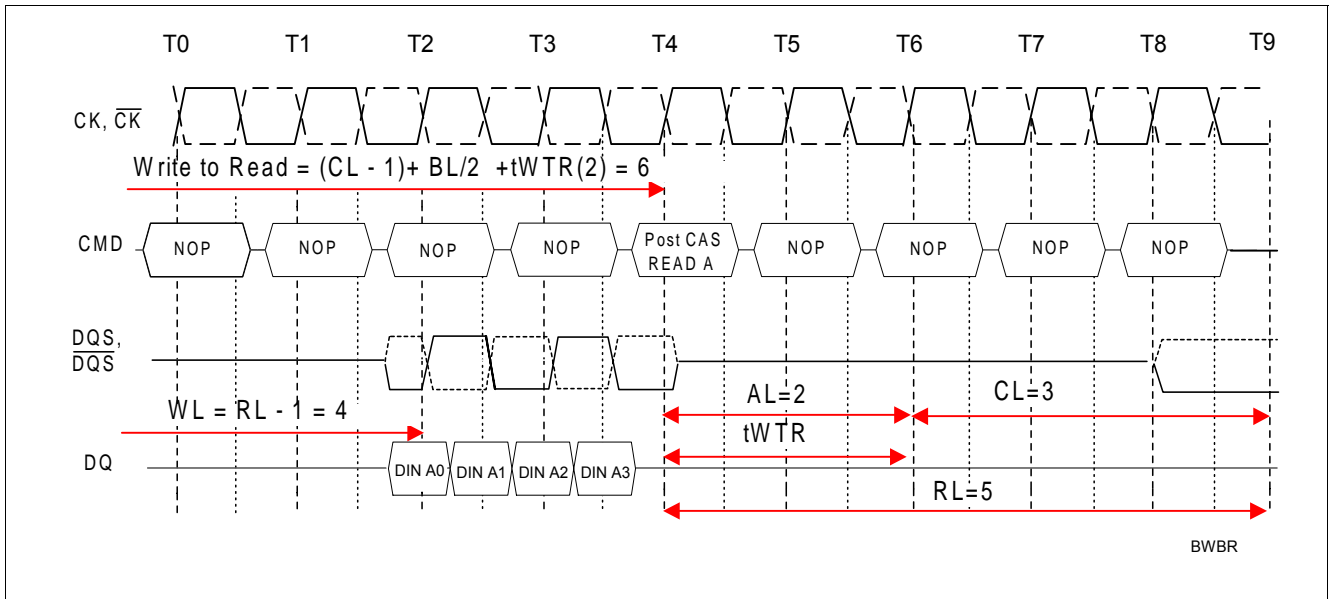


Figure 32 Write followed by Burst Read Example: $RL = 5$ ($AL = 2$, $CL = 3$), $WL = 4$, $t_{WTR} = 2$, $BL = 4$

The minimum number of clocks from the write command to the read command is $(CL - 1) + BL/2 + t_{WTR}$, where t_{WTR} is the write-to-read turn-around time t_{WTR} expressed in clock cycles. The t_{WTR} is not a write recovery time (t_{WR}) but the time required to transfer 4 bit write data from the input buffer into sense amplifiers in the array.

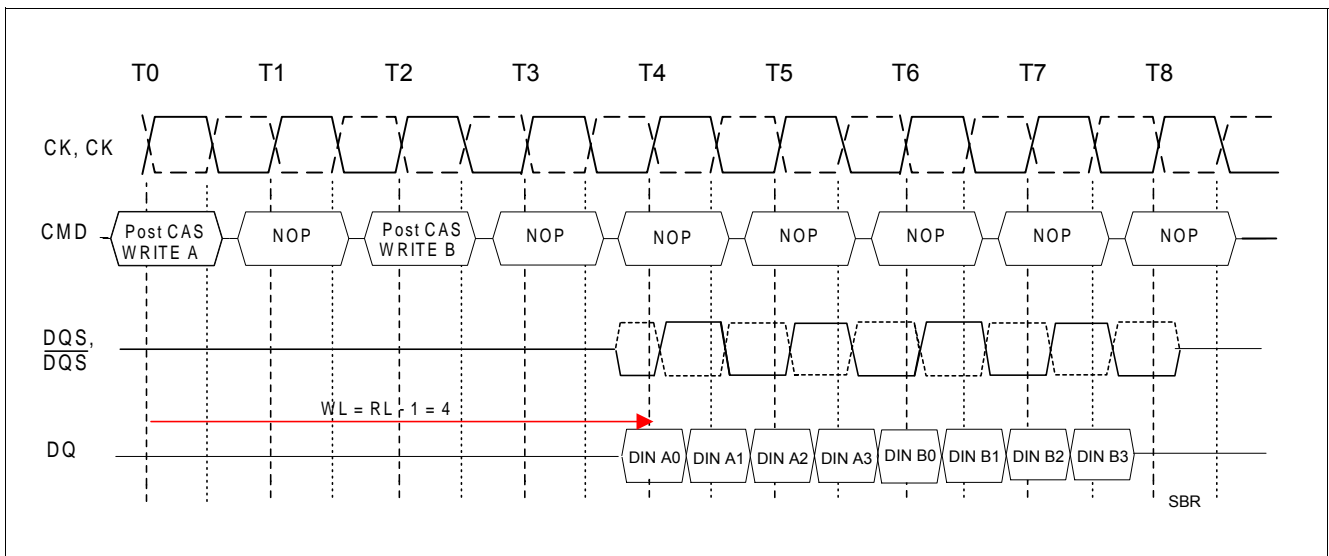


Figure 33 Seamless Write Operation Example 1: $RL = 5$, $WL = 4$, $BL = 4$

The seamless write operation is supported by enabling a write command every $BL/2$ number of clocks. This operation is allowed regardless of same or different banks as long as the banks are activated.

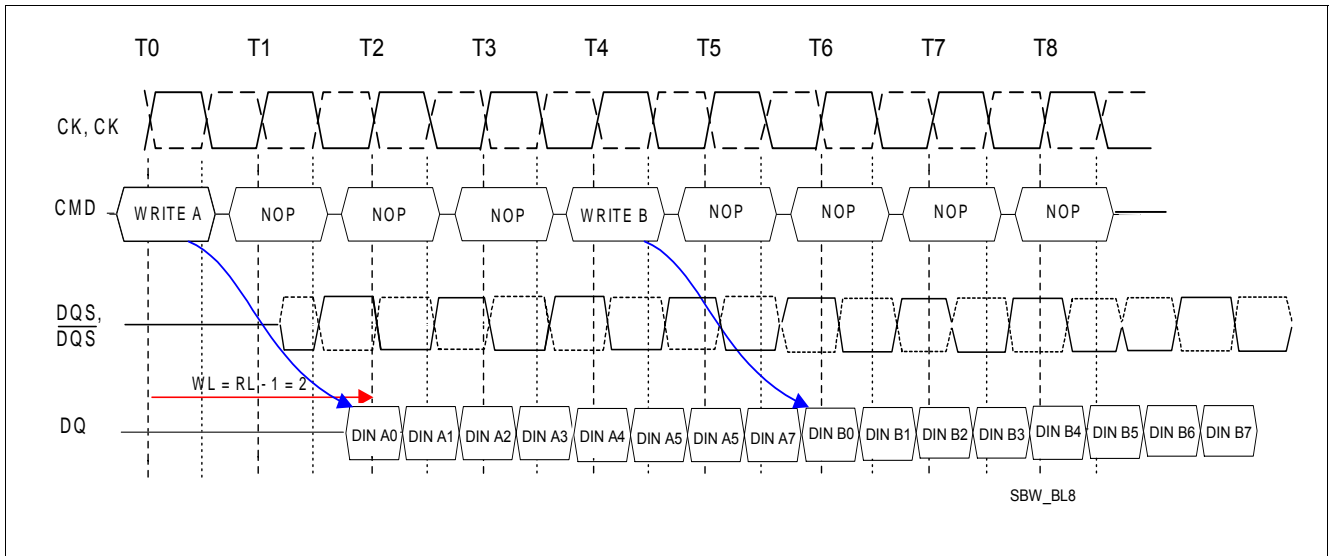


Figure 34 Seamless Write Operation Example 2: $RL = 3$, $WL = 2$, $BL = 8$, non interrupting

The seamless, non interrupting 8-bit burst write operation is supported by enabling a write command at every $BL/2$ number of clocks. This operation is allowed regardless of same or different banks as long as the banks are activated.

2.6.5 Write Data Mask

One write data mask input (DM) for $\times 4$ and $\times 8$ components and two write data mask inputs (LDM, UDM) for $\times 16$ components are supported on DDR2 SDRAM's, consistent with the implementation on DDR SDRAM's. It has identical timings on write operations as the data bits, and though used in a uni-directional manner, is internally loaded identically to data bits to

insure matched system timing. Data mask is not used during read cycles. If DM is high during a write burst coincident with the write data, the write data bit is not written to the memory. For $\times 8$ components the DM function is disabled, when $RDQS / \overline{RDQS}$ are enabled by EMRS(1).

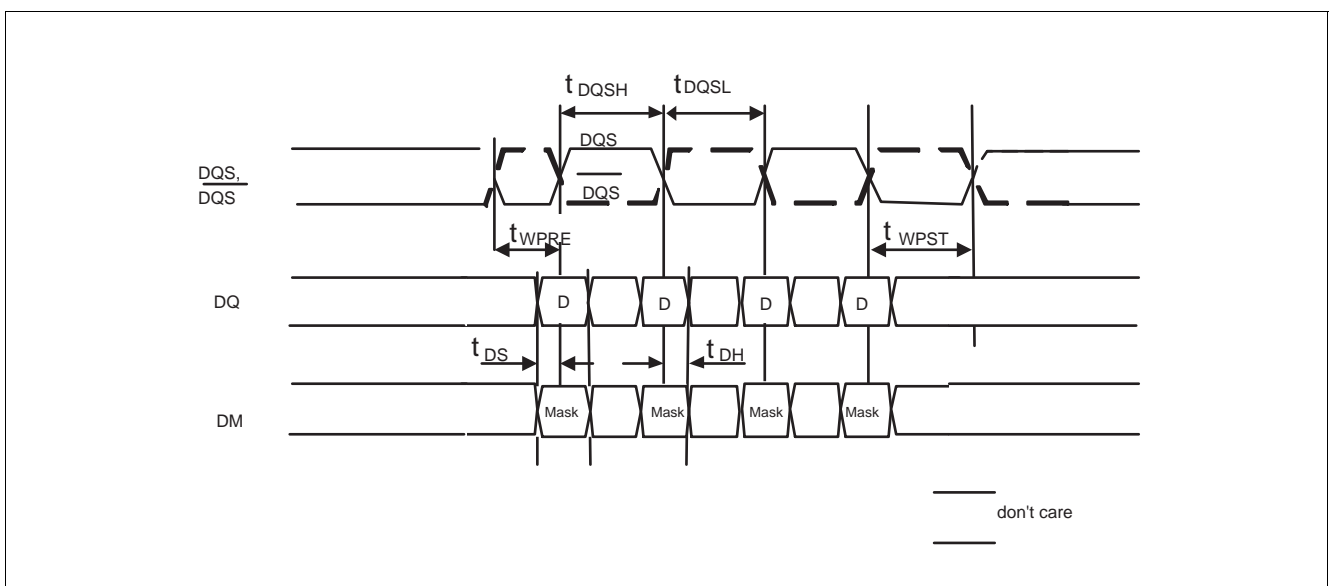


Figure 35 Write Data Mask Timing

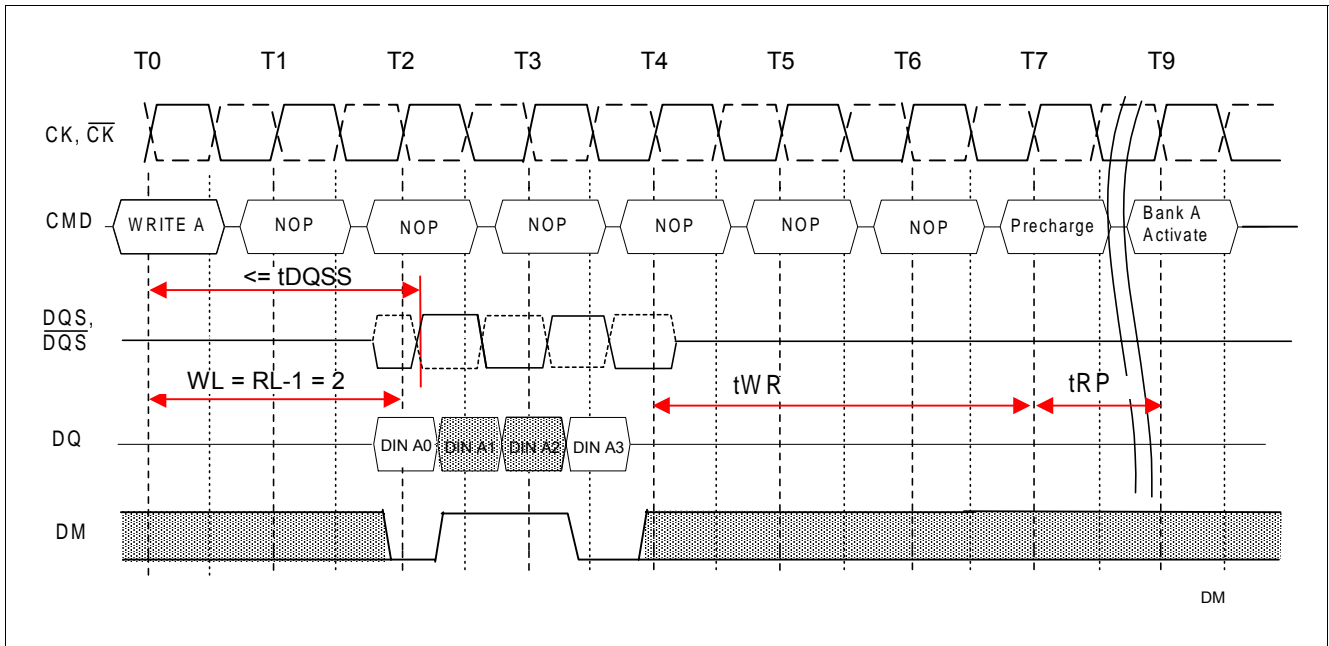


Figure 36 Write Operation with Data Mask Example: $RL = 3$ ($AL = 0$, $CL = 3$), $WL = 2$, $t_{WR} = 3$, $BL = 4$

2.6.6 Burst Interruption

Interruption of a read or write burst is prohibited for burst length of 4 and only allowed for burst length of 8 under the following conditions:

1. A Read Burst of 8 can only be interrupted by another Read command. Read burst interruption by a Write or Precharge Command is prohibited.
2. A Write Burst of 8 can only be interrupted by another Write command. Write burst interruption by a Read or Precharge Command is prohibited.
3. Read burst interrupt must occur exactly two clocks after the previous Read command. Any other Read burst interrupt timings are prohibited.
4. Write burst interrupt must occur exactly two clocks after the previous Write command. Any other Read burst interrupt timings are prohibited.
5. Read or Write burst interruption is allowed to any bank inside the DDR2 SDRAM.
6. Read or Write burst with Auto-Precharge enabled is not allowed to be interrupted.
7. Read burst interruption is allowed by a Read with Auto-Precharge command.
8. Write burst interruption is allowed by a Write with Auto-Precharge command.
9. All command timings are referenced to burst length set in the mode register. They are not referenced to the actual burst. For example, Minimum Read to Precharge timing is $AL + BL/2$ where BL is the burst length set in the mode register and not the actual burst (which is shorter because of interrupt). Minimum Write to Precharge timing is $WL + BL/2 + t_{WR}$, where t_{WR} starts with the rising clock after the un-interrupted burst end and not from the end of the actual burst end.

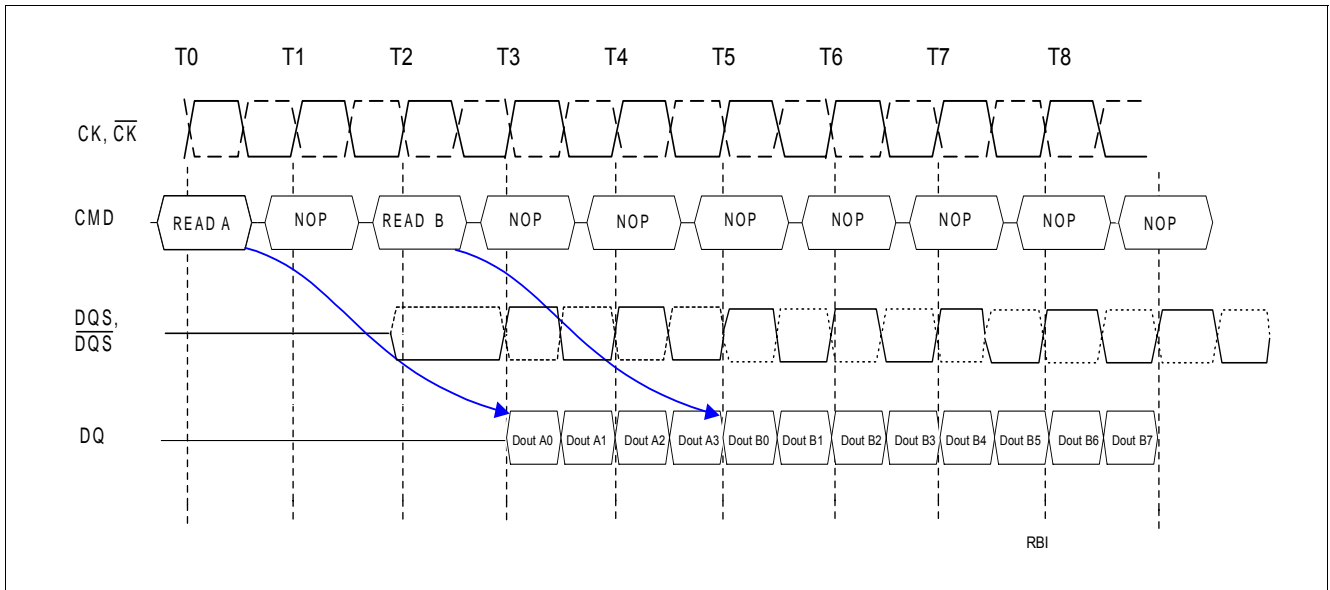


Figure 37 Read Interrupt Timing Example 1: (CL = 3, AL = 0, RL = 3, BL = 8)

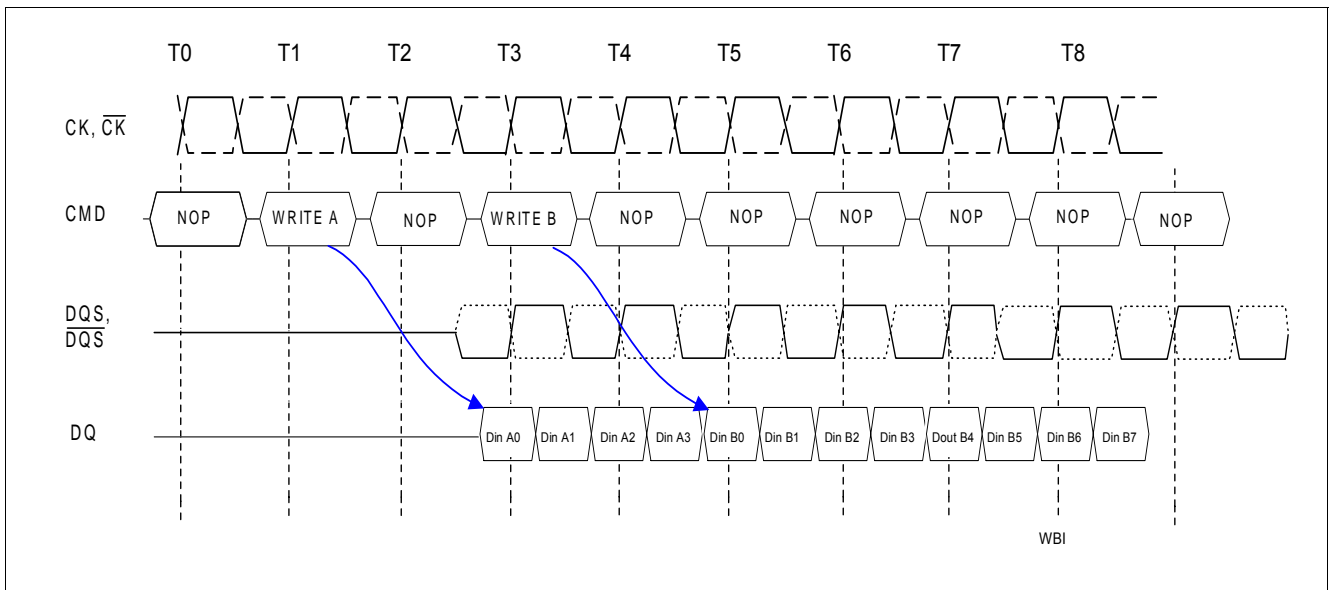


Figure 38 Write Interrupt Timing Example 2: (CL = 3, AL = 0, WL = 2, BL = 8)

2.7 Precharge Command

The Precharge Command is used to precharge or close a bank that has been activated. The Precharge Command is triggered when \overline{CS} , \overline{RAS} and \overline{WE} are low and \overline{CAS} is high at the rising edge of the clock. The Pre-

charge Command can be used to precharge each bank independently or all banks simultaneously. Three address bits A10, BA0 and BA1 are used to define which bank to precharge when the command is issued.

Table 13 Bank Selection for Precharge by Address Bits

A10	BA0	BA1	Precharge Bank(s)
LOW	LOW	LOW	Bank 0 only
LOW	LOW	HIGH	Bank 1 only
LOW	HIGH	LOW	Bank 2 only
LOW	HIGH	HIGH	Bank 3 only
HIGH	Don't Care	Don't Care	all banks

Note: The bank address assignment is the same for activating and precharging a specific bank.

2.7.1 Read Operation Followed by a Precharge

The following rules apply as long as the t_{RTP} timing parameter - Internal Read to Precharge Command delay time - is less or equal two clocks, which is the case for operating frequencies less or equal 266 Mhz (DDR2 400 and 533 speed sorts):

Minimum Read to Precharge command spacing to the same bank = $AL + BL/2$ clocks. For the earliest possible precharge, the Precharge command may be issued on the rising edge which is "Additive Latency (AL) + $BL/2$ clocks" after a Read Command, as long as the minimum t_{RAS} timing is satisfied.

A new bank active command may be issued to the same bank if the following two conditions are satisfied simultaneously:

1. The RAS precharge time (t_{RP}) has been satisfied from the clock at which the precharge begins.
2. The RAS cycle time ($t_{RC, min}$) from the previous bank activation has been satisfied.

For operating frequencies higher than 266 MHz, t_{RTP} becomes > 2 clocks and one additional clock cycle has to be added for the minimum Read to Precharge command spacing, which now becomes $AL + BL/2 + 1$ clocks.

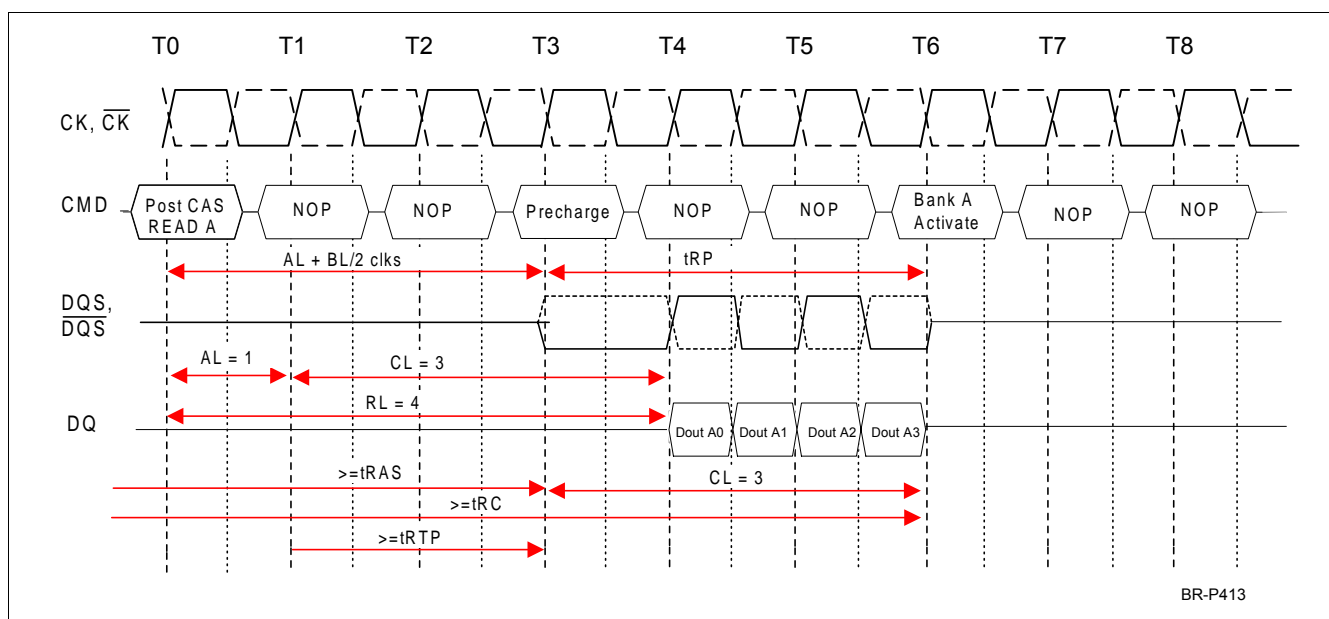


Figure 39 Read Operation Followed by Precharge Example 1:
RL = 4 (AL = 1, CL = 3), BL = 4, $t_{RTP} \leq 2$ clocks

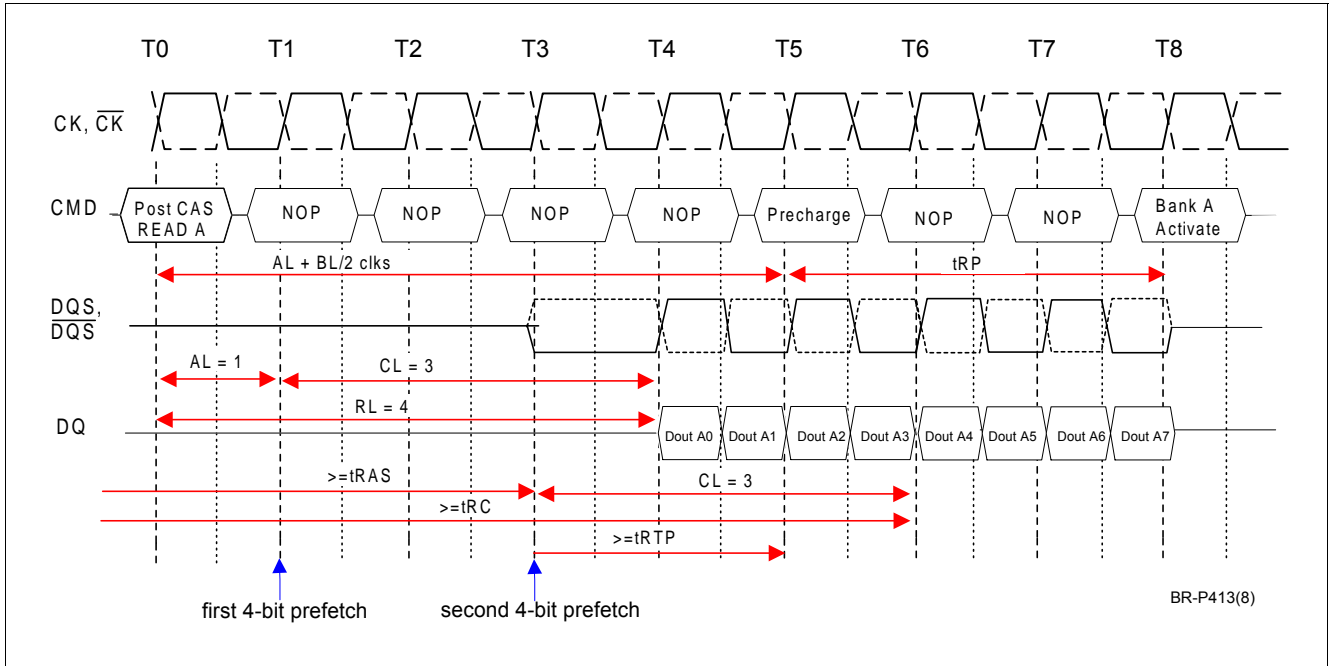


Figure 40 Read Operation Followed by Precharge Example 2:
RL = 4 (AL = 1, CL = 3), BL = 8, $t_{RTP} \leq 2$ clocks

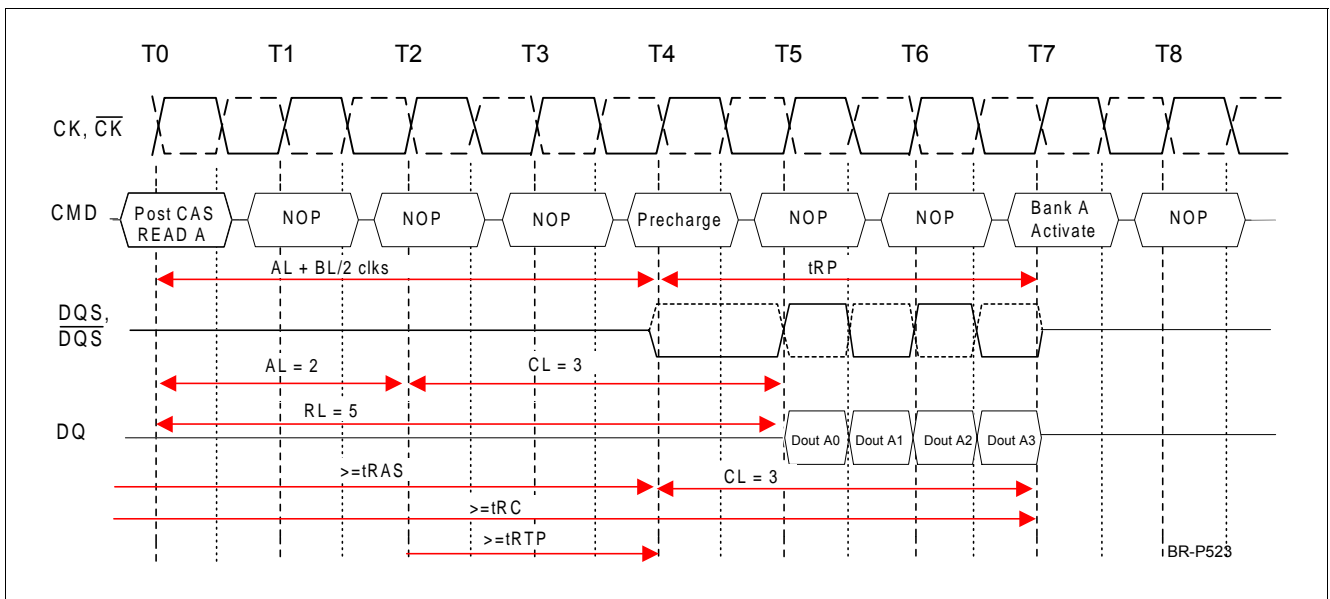


Figure 41 Read Operation Followed by Precharge Example 3:
RL = 5 (AL = 2, CL = 3), BL = 4, $t_{RTP} \leq 2$ clocks

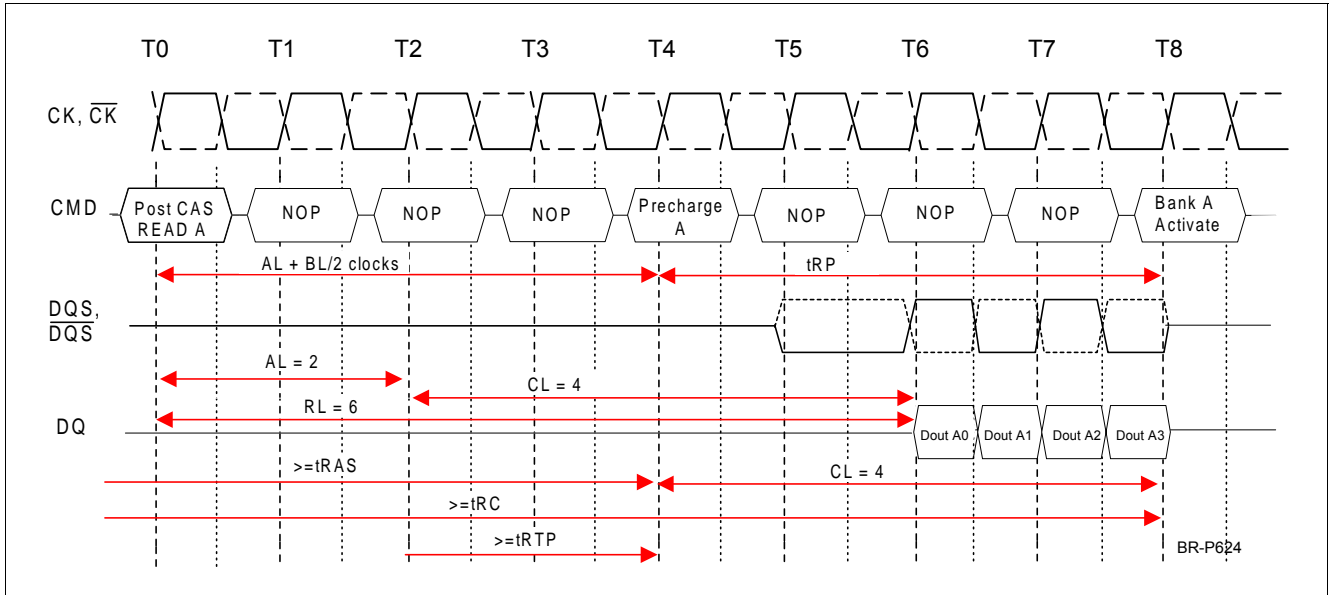


Figure 42 Read Operation Followed by Precharge Example 4:
RL = 6, (AL = 2, CL = 4), BL = 4, $t_{RTP} \leq 2$ clocks

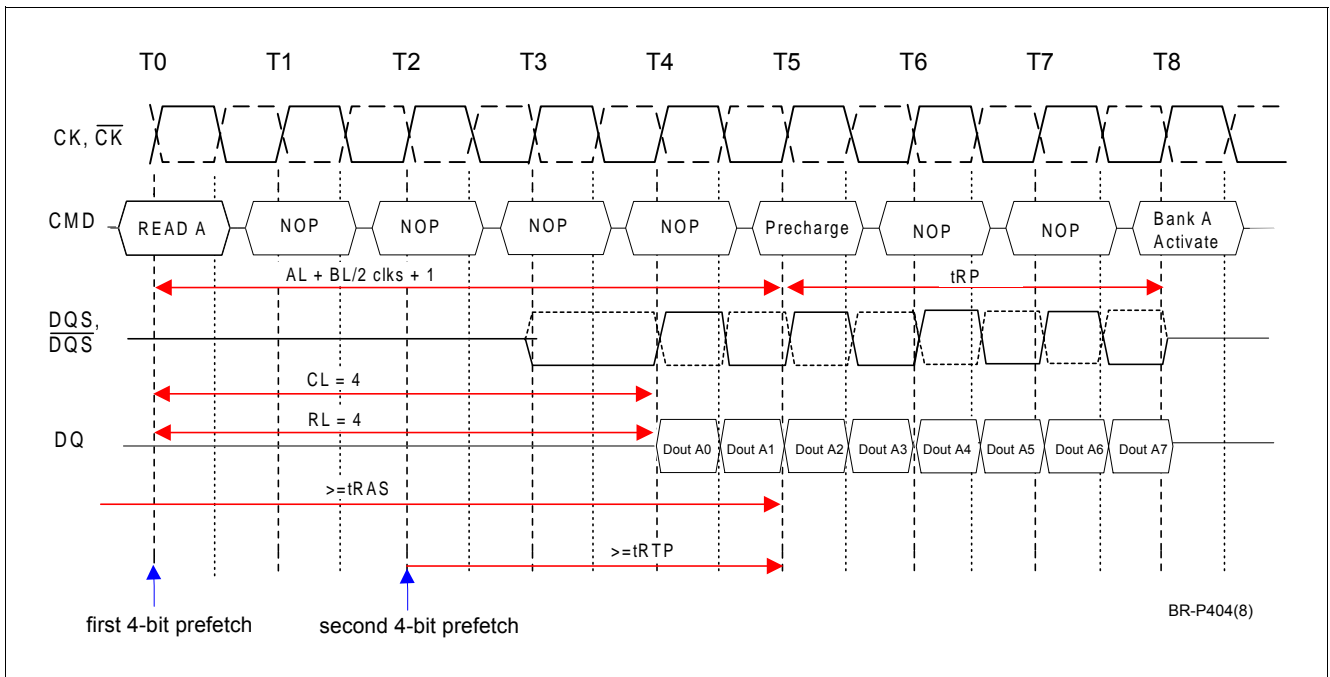


Figure 43 Read Operation Followed by Precharge Example 5:
RL = 4, (AL = 0, CL = 4), BL = 8, $t_{RTP} > 2$ clocks

2.7.2 Write followed by Precharge

Minimum Write to Precharge command spacing to the same bank = $WL + BL/2 + t_{WR}$. For write cycles, a delay must be satisfied from the completion of the last burst write cycle until the Precharge command can be issued. This delay is known as a write recovery time (t_{WR}) referenced from the completion of the burst write

to the Precharge command. No Precharge command should be issued prior to the t_{WR} delay, as DDR2 SDRAM does not support any burst interrupt by a Precharge command. t_{WR} is an analog timing parameter (see [Chapter 7](#)) and is not the programmed value for t_{WR} in the MRS.

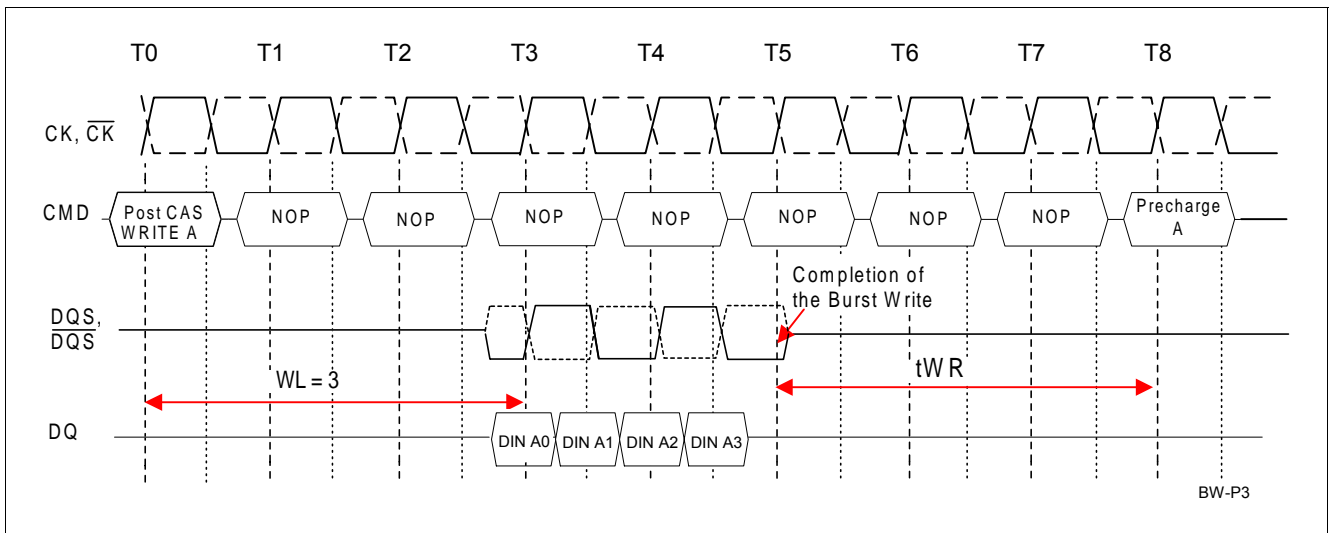


Figure 44 Write followed by Precharge Example 1: $WL = (RL - 1) = 3$, $BL = 4$, $t_{WR} = 3$

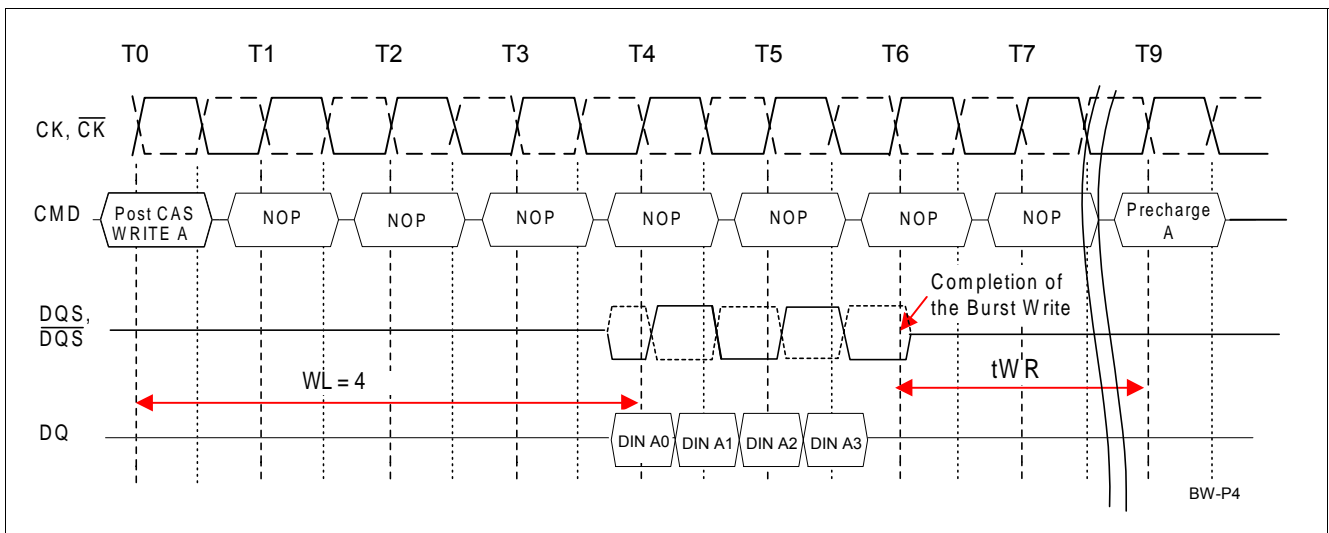


Figure 45 Write followed by Precharge Example 2: $WL = (RL - 1) = 4$, $BL = 4$, $t_{WR} = 3$

2.8 Auto-Precharge Operation

Before a new row in an active bank can be opened, the active bank must be precharged using either the Precharge Command or the Auto-Precharge function. When a Read or a Write Command is given to the DDR2 SDRAM, the $\overline{\text{CAS}}$ timing accepts one extra address, column address A10, to allow the active bank to automatically begin precharge at the earliest possible moment during the burst read or write cycle. If A10 is low when the Read or Write Command is issued, then the Auto-Precharge function is enabled.

During Auto-Precharge, a Read Command will execute as normal with the exception that the active bank will begin to precharge internally on the rising edge which is CAS Latency (CL) clock cycles before the end of the read burst.

2.8.1 Read with Auto-Precharge

If A10 is high when a Read Command is issued, the Read with Auto-Precharge function is engaged. The DDR2 SDRAM starts an Auto-Precharge operation on the rising edge which is $(AL + BL/2)$ cycles later from the Read with AP command if $t_{\text{RAS}(\text{min})}$ and t_{RTP} are satisfied. If $t_{\text{RAS}(\text{min})}$ is not satisfied at the edge, the start point of Auto-Precharge operation will be delayed until $t_{\text{RAS}(\text{min})}$ is satisfied. If t_{RTPmin} is not satisfied at the edge, the start point of Auto-Precharge operation will be delayed until t_{RTPmin} is satisfied.

In case the internal precharge is pushed out by t_{RTP} , t_{RP} starts at the point where the internal precharge happens (not at the next rising clock edge after this event). So for $BL = 4$ the minimum time from Read with Auto-Precharge to the next Activate command

Auto-Precharge is also implemented for Write Commands. The precharge operation engaged by the Auto-Precharge command will not begin until the last data of the write burst sequence is properly stored in the memory array. This feature allows the precharge operation to be partially or completely hidden during burst read cycles (dependent upon CAS Latency) thus improving system performance for random data access.

The RAS lockout circuit internally delays the precharge operation until the array restore operation has been completed so that the Auto-Precharge command may be issued with any read or write command.

becomes $AL + t_{\text{RTP}} + t_{\text{RP}}$. For $BL = 8$ the time from Read with Auto-Precharge to the next Activate command is $AL + 2 + t_{\text{RTP}} + t_{\text{RP}}$. Note that $(t_{\text{RTP}} + t_{\text{RP}})$ has to be rounded up to the next integer value. In any event internal precharge does not start earlier than two clocks after the last 4-bit prefetch.

A new bank active (command) may be issued to the same bank if the following two conditions are satisfied simultaneously:

1. The RAS precharge time (t_{RP}) has been satisfied from the clock at which the Auto-Precharge begins.
2. The RAS cycle time (t_{RC}) from the previous bank activation has been satisfied.

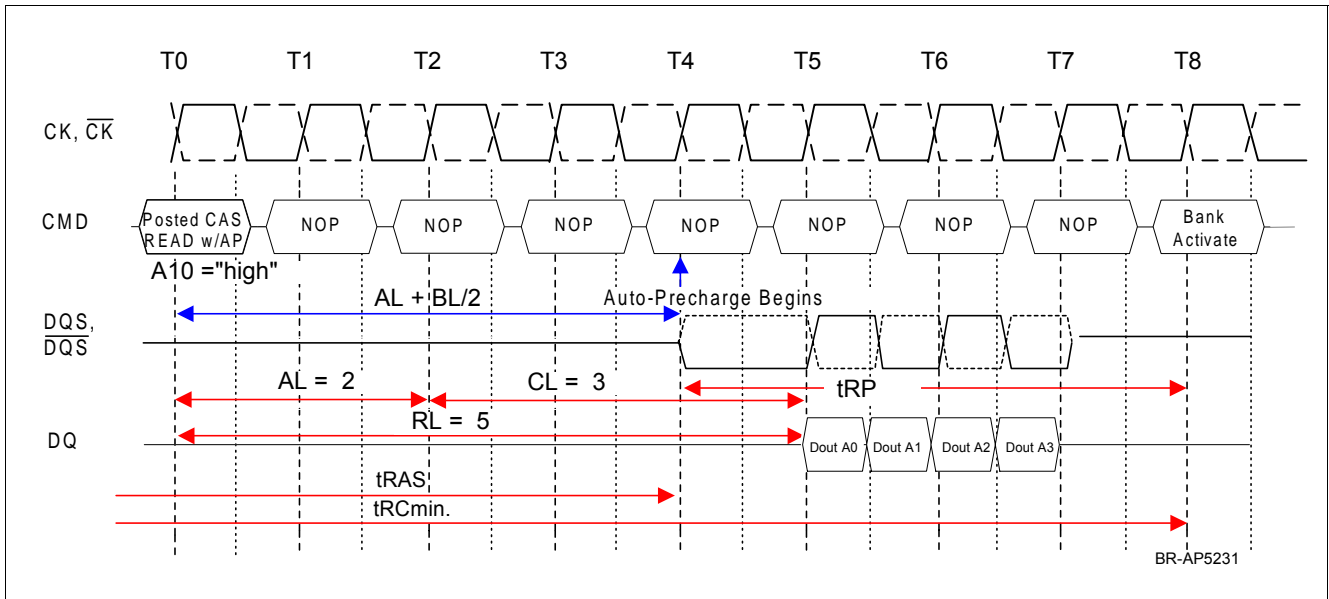


Figure 46 Read with Auto-Precharge Example 1, followed by an Activation to the Same Bank (t_{RC} Limit):
RL = 5 (AL = 2, CL = 3), BL = 4, $t_{RTP} \leq 2$ clocks

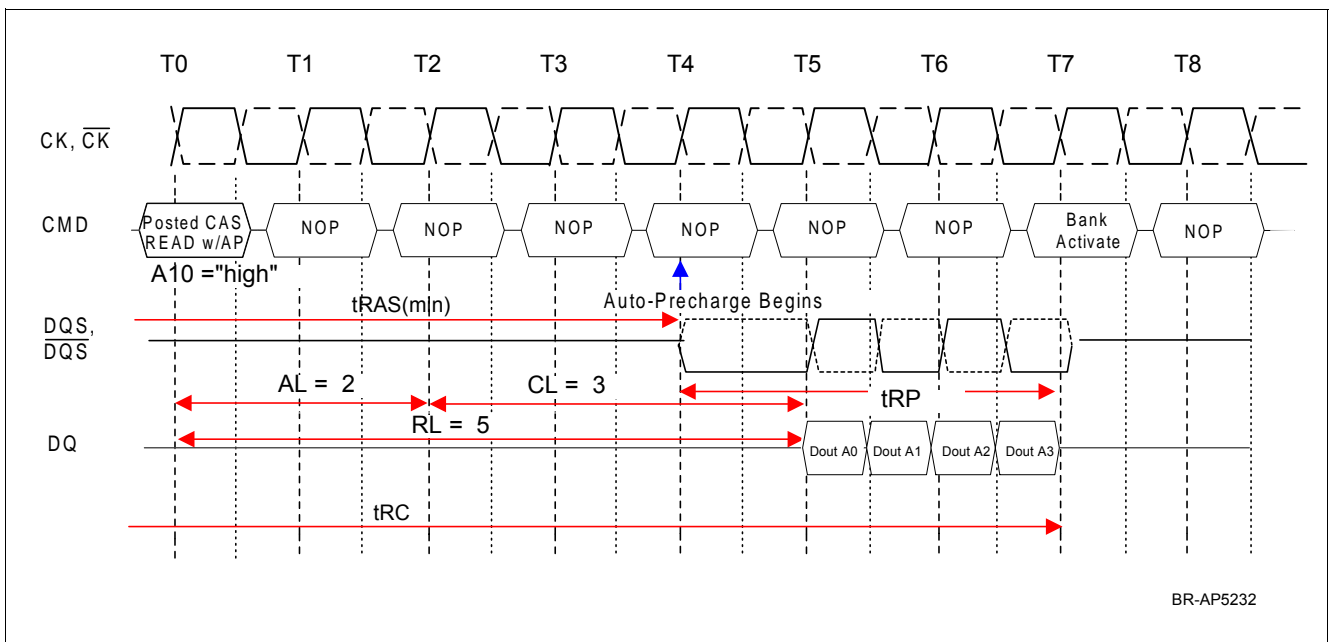


Figure 47 Read with Auto-Precharge Example 2, followed by an Activation to the Same Bank (t_{RAS} Limit):
RL = 5 (AL = 2, CL = 3), BL = 4, $t_{RTP} \leq 2$ clocks

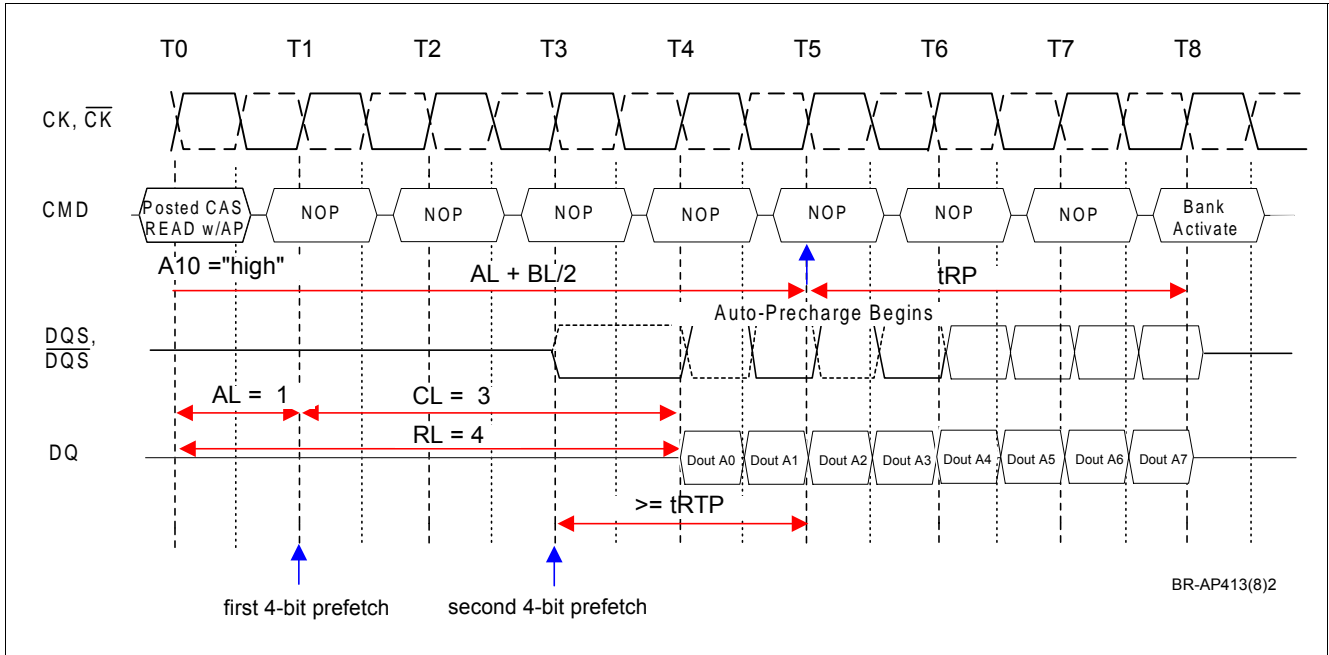


Figure 48 Read with Auto-Precharge Example 3, followed by an Activation to the Same Bank:
RL = 4 (AL = 1, CL = 3), BL = 8, $t_{RTP} \leq 2$ clocks

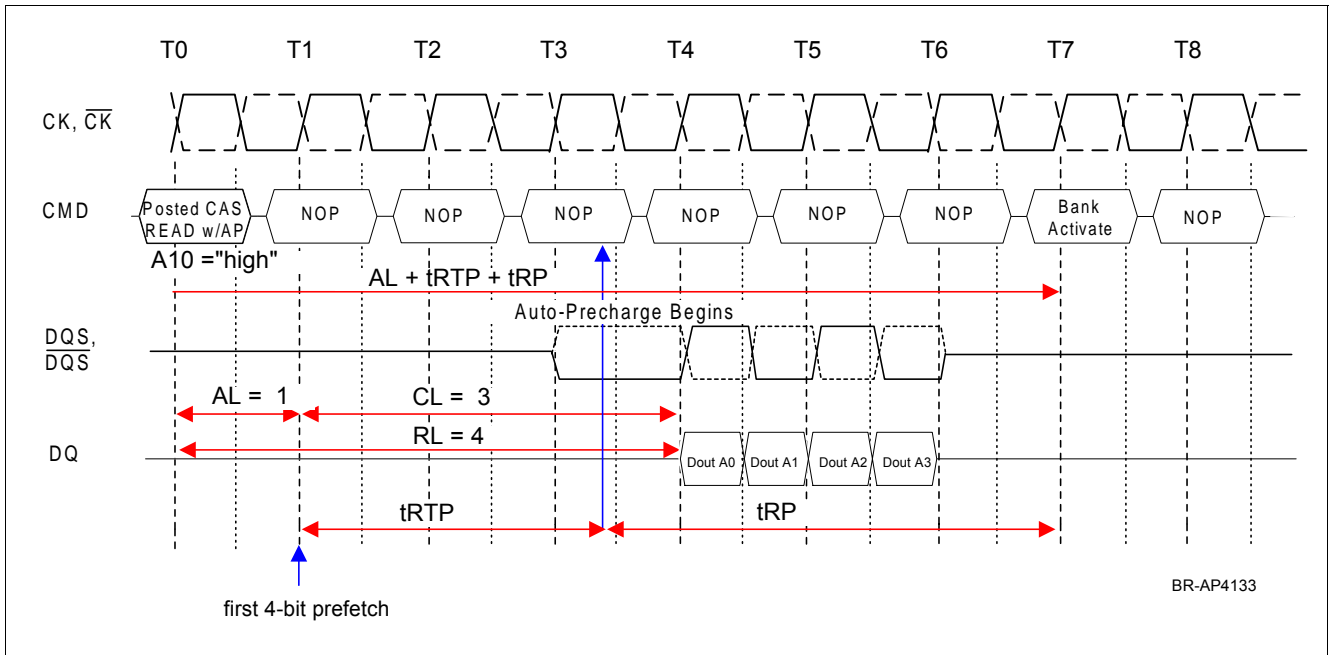


Figure 49 Read with Auto-Precharge Example 4, followed by an Activation to the Same Bank:
RL = 4 (AL = 1, CL = 3), BL = 4, $t_{RTP} > 2$ clocks

2.8.2 Write with Auto-Precharge

If A10 is high when a Write Command is issued, the Write with Auto-Precharge function is engaged. The DDR2 SDRAM automatically begins precharge operation after the completion of the write burst plus the write recovery time delay (t_{WR}), programmed in the MRS register, as long as t_{RAS} is satisfied. The bank undergoing Auto-Precharge from the completion of the write burst may be reactivated if the following two conditions are satisfied.

1. The last data-in to bank activate delay time ($t_{DAL} = WR + t_{RP}$) has been satisfied.
2. The RAS cycle time (t_{RC}) from the previous bank activation has been satisfied.

In DDR2 SDRAM's the write recovery time delay (t_{WR}) has to be programmed into the MRS mode register. As long as the analog t_{WR} timing parameter is not violated, WR can be programmed between 2 and 6 clock cycles. Minimum Write to Activate command spacing to the same bank = $WL + BL/2 + t_{DAL}$.

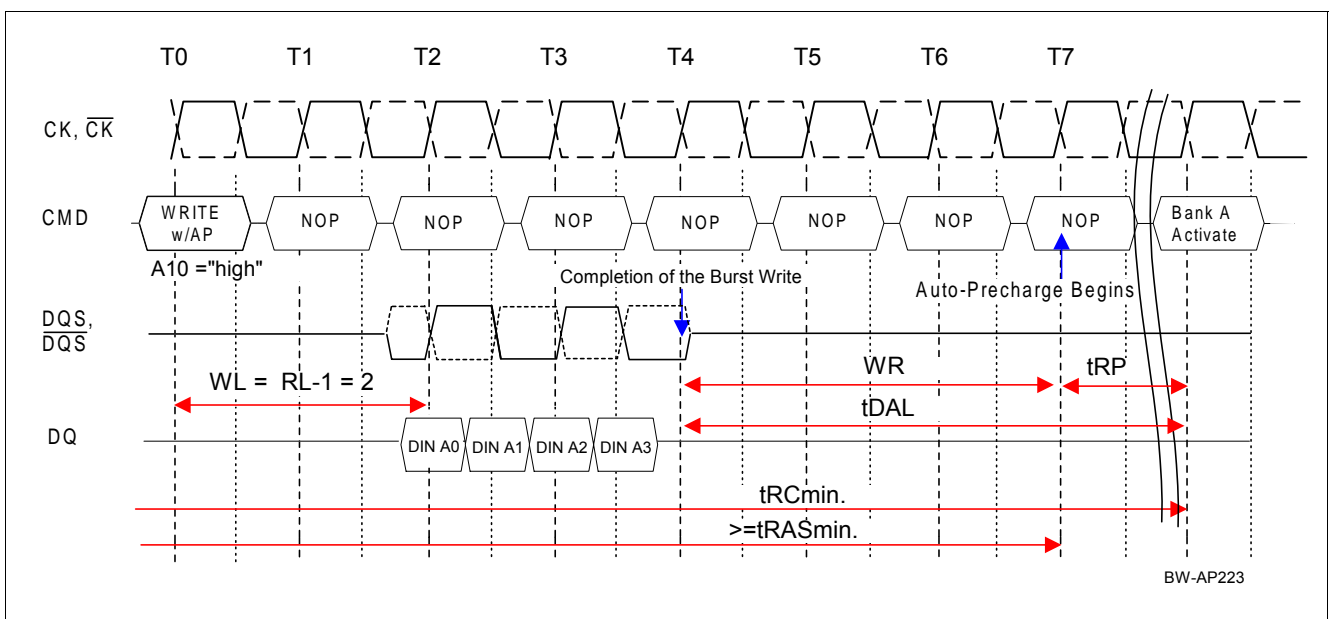


Figure 50 Write with Auto-Precharge Example 1 (t_{RC} Limit): $WL = 2$, $t_{DAL} = 6$ ($WR = 3$, $t_{RP} = 3$), $BL = 4$

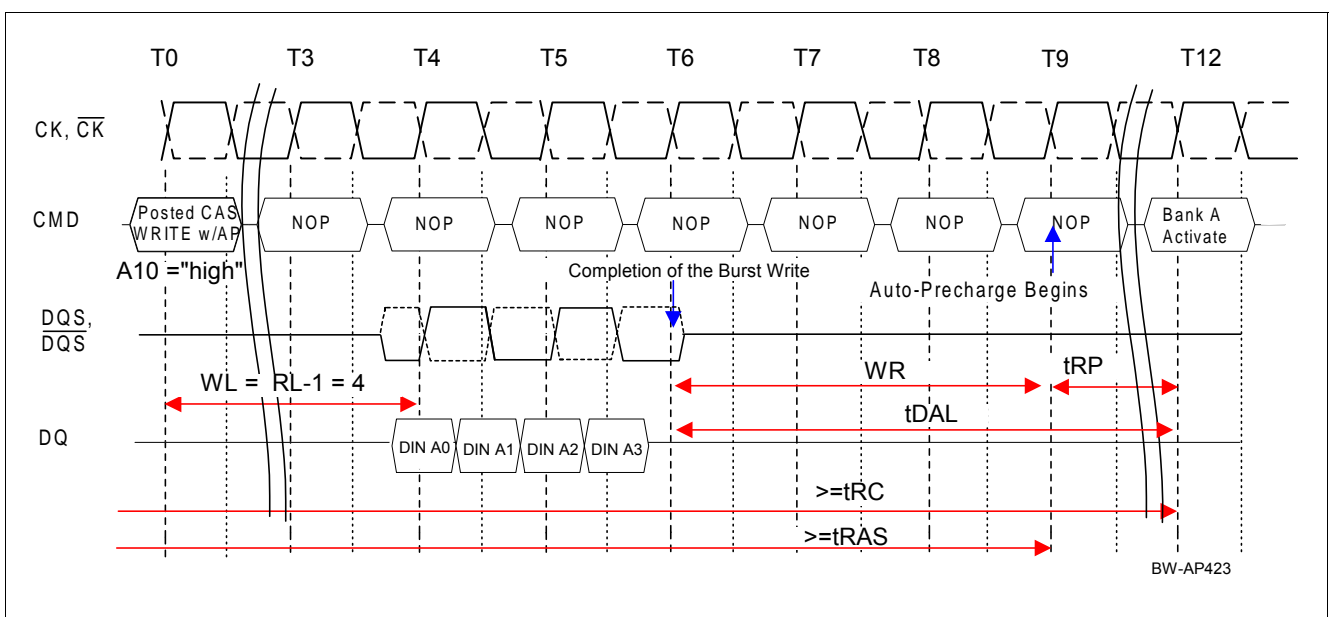


Figure 51 Write with Auto-Precharge Example 2 ($WR + t_{RP}$ Limit): $WL = 4$, $t_{DAL} = 6$ ($WR = 3$, $t_{RP} = 3$), $BL = 4$

2.8.3 Read or Write to Precharge Command Spacing Summary

The following table summarizes the minimum command delays between Read, Read w/AP, Write,

Write w/AP to the Precharge commands to the same banks and Precharge-All commands.

Table 14 Minimum Command Delays

From Command	To Command	Minimum Delay between “From Command” to “To Command”	Units	Notes
READ	PRECHARGE (to same banks as READ)	$AL + BL/2 + \max(t_{RTP}, 2) - 2$	t_{CK}	1)2)
	PRECHARGE-ALL	$AL + BL/2 + \max(t_{RTP}, 2) - 2$	t_{CK}	1)2)
READ w/AP	PRECHARGE (to same banks as READ w/AP)	$AL + BL/2 + \max(t_{RTP}, 2) - 2$	t_{CK}	1)2)
	PRECHARGE-ALL	$AL + BL/2 + \max(t_{RTP}, 2) - 2$	t_{CK}	1)2)
WRITE	PRECHARGE (to same banks as WRITE)	$WL + BL/2 + t_{WR}$	t_{CK}	2)3)
	PRECHARGE-ALL	$WL + BL/2 + t_{WR}$	t_{CK}	2)3)
WRITE w/AP	PRECHARGE (to same banks as WRITE w/AP)	$WL + BL/2 + WR$	t_{CK}	2)
	PRECHARGE-ALL	$WL + BL/2 + WR$	t_{CK}	2)
PRECHARGE	PRECHARGE (to same banks as PRECHARGE)	1	t_{CK}	2)
	PRECHARGE-ALL	1	t_{CK}	2)
PRECHARGE-ALL	PRECHARGE	1	t_{CK}	2)
	PRECHARGE-ALL	1	t_{CK}	2)

1) $RU\{t_{RTP}(ns) / t_{CK}(ns)\}$ must be used, where RU stands for “Round Up”

2) For a given bank, the precharge period should be counted from the latest precharge command, either one bank precharge or precharge-all, issued to that bank. The precharge period is satisfied after t_{RP} or $t_{RP,all}$ depending on the latest precharge command issued to that bank

3) $RU\{t_{WR}(ns) / t_{CK}(ns)\}$ must be used, where RU stands for “Round Up”

2.8.4 Concurrent Auto-Precharge

DDR2 devices support the “Concurrent Auto-Precharge” feature. A Read with Auto-Precharge enabled, or a Write with Auto-Precharge enabled, may be followed by any command to the other bank, as long as that command does not interrupt the read or write data transfer, and all other related limitations (e.g. contention between Read data and Write data must be avoided externally and on the internal data bus.

The minimum delay from a Read or Write command with Auto-Precharge enabled, to a command to a different bank, is summarized in [Table 15](#). As defined, the $WL = RL - 1$ for DDR2 devices which allows the command gap and corresponding data gaps to be minimized.

Table 15 Command Delay Table

From Command	To Command (different bank, non-interrupting command)	Minimum Delay with Concurrent Auto-Precharge Support	Units	Note
WRITE w/AP	Read or Read w/AP	$(CL - 1) + (BL/2) + t_{WTR}$	t_{CK}	1)
	Write or Write w/AP	$BL/2$	t_{CK}	
	Precharge or Activate	1	t_{CK}	2)
Read w/AP	Read or Read w/AP	$BL/2$	t_{CK}	
	Write or Write w/AP	$BL/2 + 2$	t_{CK}	
	Precharge or Activate	1	t_{CK}	2)

1) $RU\{t_{WTR}(ns)/t_{CK}(ns)\}$ must be used where RU stands for “Round Up”

2) This rule only applies to a selective Precharge command to another banks, a Precharge-All command is illegal

2.9 Refresh

DDR2 SDRAM requires a refresh of all rows in any rolling 64 ms interval. The necessary refresh can be generated in one of two ways: by explicit Auto-Refresh commands or by an internally timed Self-Refresh mode.

2.9.1 Auto-Refresh Command

Auto-Refresh is used during normal operation of the DDR2 SDRAM's. This command is non persistent, so it must be issued each time a refresh is required. The refresh addressing is generated by the internal refresh controller. This makes the address bits “don't care” during an Auto-Refresh command. The DDR2 SDRAM requires Auto-Refresh cycles at an average periodic interval of $t_{REF(maximum)}$.

When \overline{CS} , \overline{RAS} and \overline{CAS} are held low and \overline{WE} high at the rising edge of the clock, the chip enters the Auto-Refresh mode. All banks of the SDRAM must be precharged and idle for a minimum of the precharge time (t_{RP}) before the Auto-Refresh Command can be applied. An internal address counter supplies the addresses during the refresh cycle. No control of the

external address bus is required once this cycle has started.

When the refresh cycle has completed, all banks of the SDRAM will be in the precharged (idle) state. A delay between the Auto-Refresh Command and the next Activate Command or subsequent Auto-Refresh Command must be greater than or equal to the Auto-Refresh cycle time (t_{RFC}).

To allow for improved efficiency in scheduling and switching between tasks, some flexibility in the absolute refresh interval is provided. A maximum of eight Auto-Refresh commands can be posted to any given DDR2 SDRAM, meaning that the maximum absolute interval between any Auto-Refresh command and the next Auto-Refresh command is $9 \times t_{REFI}$.

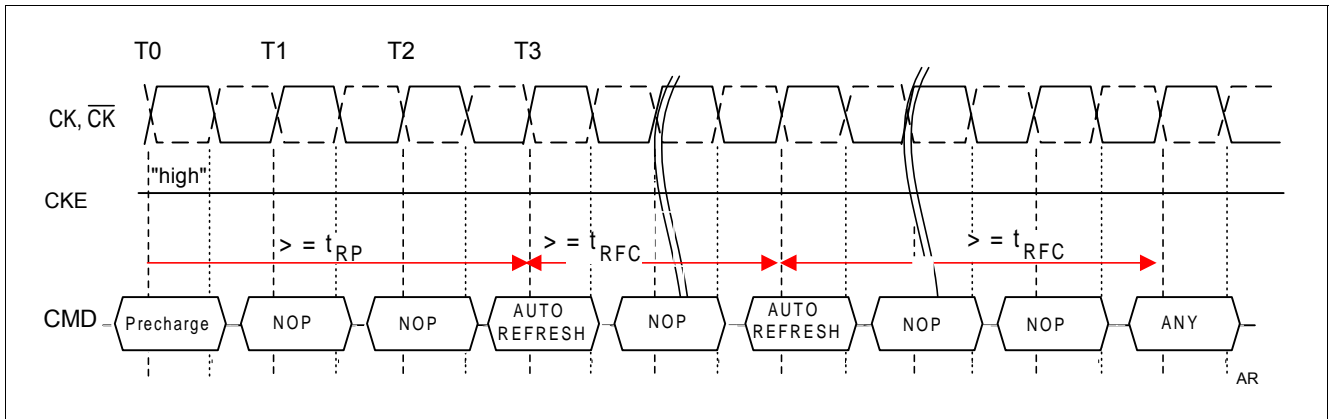


Figure 52 Auto Refresh Timing

2.9.2 Self-Refresh Command

The Self-Refresh command can be used to retain data, even if the rest of the system is powered down. When in the Self-Refresh mode, the DDR2 SDRAM retains data without external clocking. The DDR2 SDRAM device has a built-in timer to accommodate Self-Refresh operation. The Self-Refresh Command is defined by having \overline{CS} , \overline{RAS} , \overline{CAS} and CKE held low with \overline{WE} high at the rising edge of the clock. ODT must be turned off before issuing Self Refresh command, by either driving ODT pin low or using EMRS(1) command. Once the command is registered, CKE must be held low to keep the device in Self-Refresh mode. The DLL is automatically disabled upon entering Self Refresh and is automatically enabled upon exiting Self Refresh. When the DDR2 SDRAM has entered Self-Refresh mode all of the external control signals, except CKE, are "don't care". The DRAM initiates a minimum of one Auto Refresh command internally within t_{CKE} period once it enters Self Refresh mode. The clock is internally disabled during Self-Refresh Operation to save power. The minimum time that the DDR2 SDRAM must remain in Self Refresh mode is t_{CKE} . The user may change the external clock frequency or halt the external

clock one clock after Self-Refresh entry is registered, however, the clock must be restarted and stable before the device can exit Self-Refresh operation.

The procedure for exiting Self Refresh requires a sequence of commands. First, the clock must be stable prior to CKE going back HIGH. Once Self-Refresh Exit command is registered, a delay of at least t_{XSNR} must be satisfied before a valid command can be issued to the device to allow for any internal refresh in progress. CKE must remain high for the entire Self-Refresh exit period t_{XSRD} for proper operation. Upon exit from Self Refresh, the DDR2 SDRAM can be put back into Self Refresh mode after t_{XSNR} expires. NOP or deselect commands must be registered on each positive clock edge during the Self-Refresh exit interval t_{XSNR} . ODT should be turned off during t_{XSNR} .

The use of Self Refresh mode introduces the possibility that an internally timed refresh event can be missed when CKE is raised for exit from Self Refresh mode. Upon exit from Self Refresh, the DDR2 SDRAM requires a minimum of one extra auto refresh command before it is put back into Self Refresh Mode.

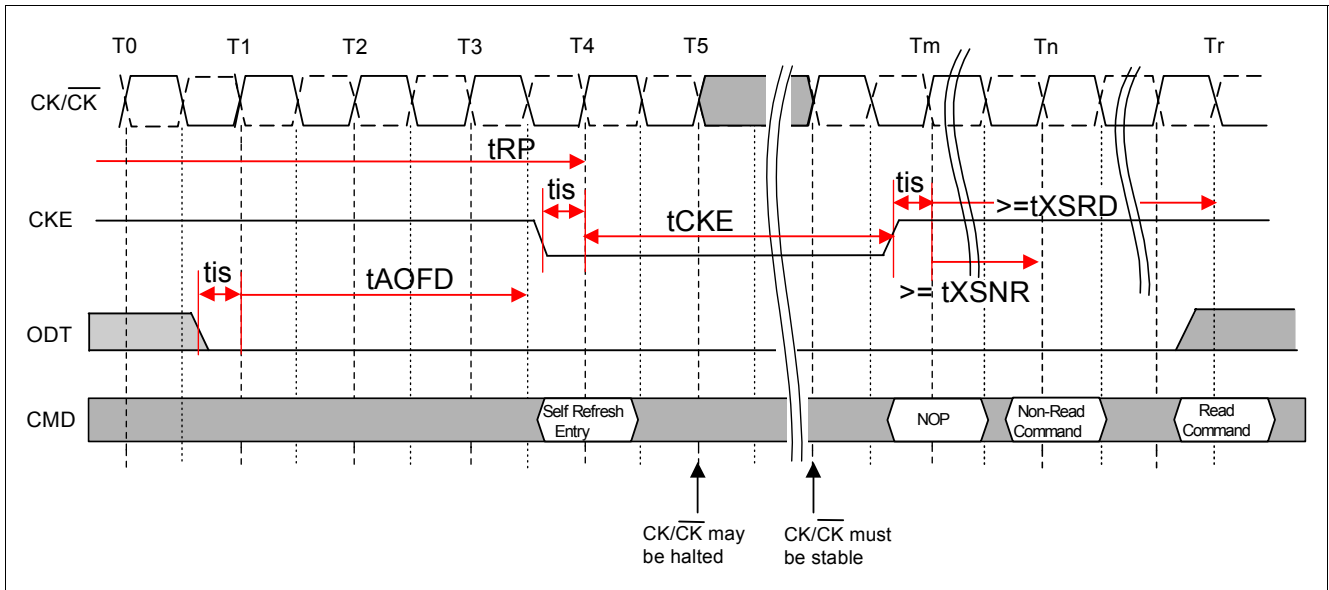


Figure 53 Self Refresh Timing

Note:

1. Device must be in the “All banks idle” state before entering Self Refresh mode.
2. $t_{XSRD} (\geq 200 t_{CK})$ has to be satisfied for a Read or a Read with Auto-Precharge command.
3. t_{XSNR} has to be satisfied for any command except a Read or a Read with Auto-Precharge command
4. Since CKE is an SSTL input, V_{REF} must be maintained during Self Refresh.

2.10 Power-Down

Power-down is synchronously entered when CKE is registered low, along with NOP or Deselect command. CKE is not allowed to go low while mode register or extended mode register command time, or read or write operation is in progress. CKE is allowed to go low while any other operation such as row activation, Precharge, Auto-Precharge or Auto-Refresh is in progress, but power-down I_{DD} specification will not be applied until finishing those operations.

The DLL should be in a locked state when power-down is entered. Otherwise DLL should be reset after exiting power-down mode for proper read operation. DRAM design guarantees it's DLL in a locked state with any CKE intensive operations as long as DRAM controller complies with DRAM specifications.

If power-down occurs when all banks are precharged, this mode is referred to as Precharge Power-down; if power-down occurs when there is a row active in any bank, this mode is referred to as Active Power-down. For Active Power-down two different power saving modes can be selected within the MRS register, address bit A12. When A12 is set to “low” this mode is

referred as “standard active power-down mode” and a fast power-down exit timing defined by the t_{XARD} timing parameter can be used. When A12 is set to “high” this mode is referred as a power saving “low power active power-down mode”. This mode takes longer to exit from the power-down mode and the t_{XARDS} timing parameter has to be satisfied.

Entering power-down deactivates the input and output buffers, excluding CK, \overline{CK} , ODT and CKE. Also the DLL is disabled upon entering Precharge Power-down or slow exit active power-down, but the DLL is kept enabled during fast exit active power-down. In power-down mode, CKE low and a stable clock signal must be maintained at the inputs of the DDR2 SDRAM, and all other input signals are “Don't Care”. Power-down duration is limited by 9 times t_{REF1} of the device.

The power-down state is synchronously exited when CKE is registered high (along with a NOP or Deselect command). A valid, executable command can be applied with power-down exit latency, t_{XP} , t_{XARD} or t_{XARDS} , after CKE goes high. Power-down exit latencies are defined in [Table 40](#).

Power-Down Entry

Active Power-down mode can be entered after an Activate command. Precharge Power-down mode can be entered after a Precharge, Precharge-All or internal precharge command. It is also allowed to enter power-mode after an Auto-Refresh command or MRS / EMRS(1) command when t_{MRD} is satisfied.

Active Power-down mode entry is prohibited as long as a Read Burst is in progress, meaning CKE should be kept high until the burst operation is finished. Therefore Active Power-Down mode entry after a Read or Read with Auto-Precharge command is allowed after $RL + BL/2$ is satisfied.

Active Power-down mode entry is prohibited as long as a Write Burst and the internal write recovery is in progress. In case of a write command, active power-down mode entry is allowed when $WL + BL/2 + t_{WTR}$ is satisfied.

In case of a write command with Auto-Precharge, Power-down mode entry is allowed after the internal precharge command has been executed, which is $WL + BL/2 + WR$ starting from the write with Auto-Precharge command. In this case the DDR2 SDRAM enters the Precharge Power-down mode.

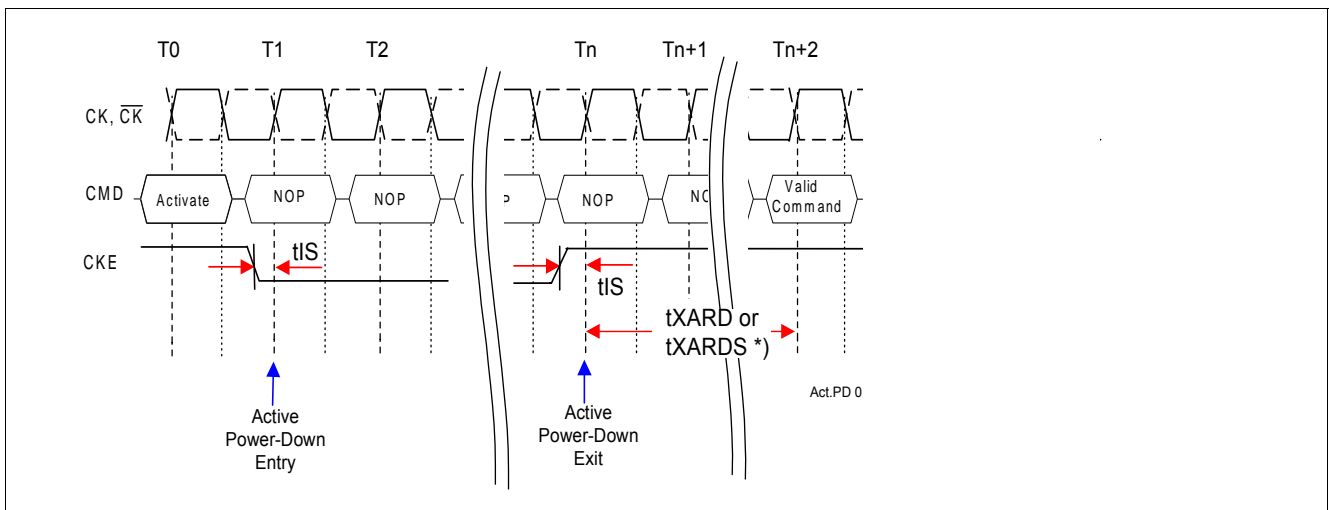
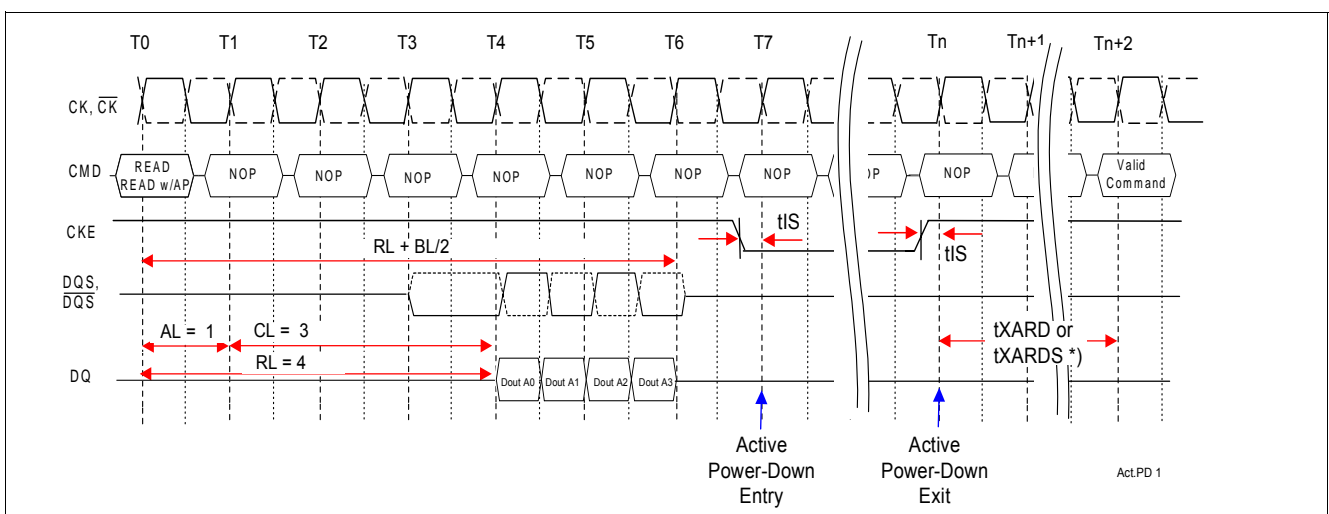


Figure 54 Active Power-Down Mode Entry and Exit after an Activate Command

Note: Active Power-Down mode exit timing t_{XARD} ("fast exit") or t_{XARDS} ("slow exit") depends on the programmed state in the MRS, address bit A12.



**Figure 55 Active Power-Down Mode Entry and Exit Example after a Read Command:
RL = 4 (AL = 1, CL = 3), BL = 4**

Note: Active Power-Down mode exit timing t_{XARD} ("fast exit") or t_{XARDS} ("slow exit") depends on the programmed state in the MRS, address bit A12.

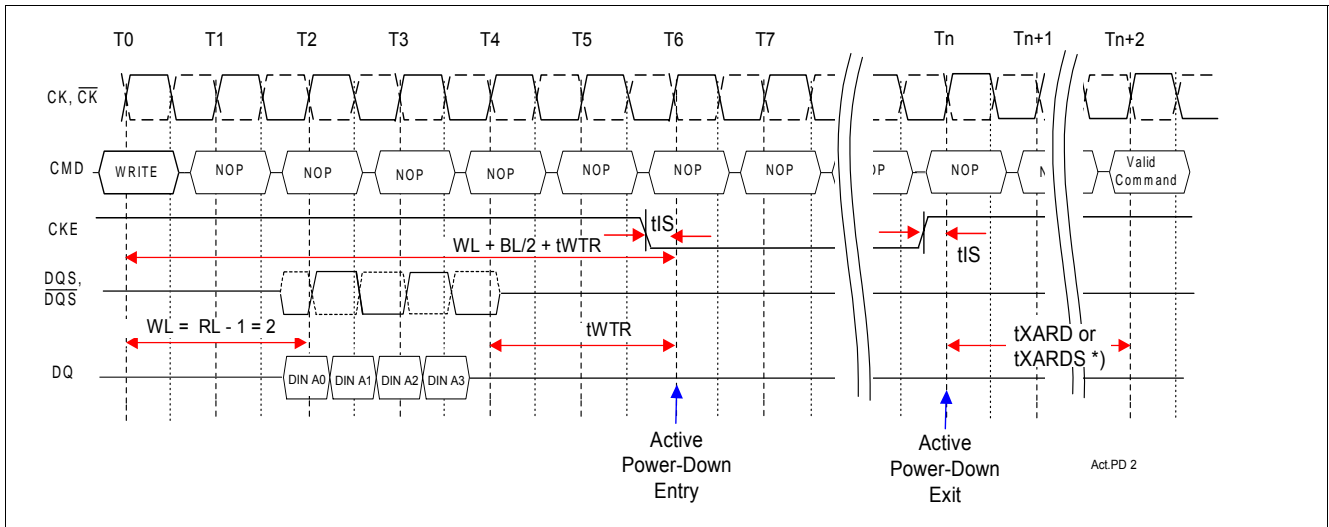


Figure 56 Active Power-Down Mode Entry and Exit Example after a Write Command:
WL = 2, $t_{WTR} = 2$, BL = 4

Note: Active Power-Down mode exit timing t_{XARD} ("fast exit") or t_{XARDS} ("slow exit") depends on the programmed state in the MRS, address bit A12.

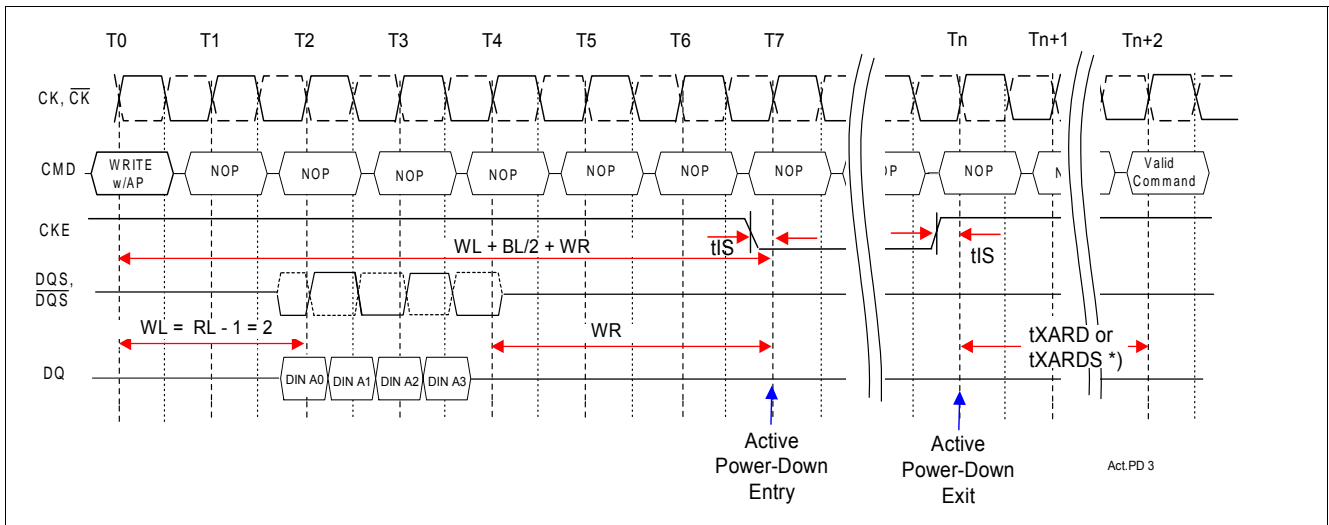


Figure 57 Active Power-Down Mode Entry and Exit Example after a Write Command with AP:
WL = 2, WR = 3, BL = 4

Note: Active Power-Down mode exit timing t_{XARD} ("fast exit") or t_{XARDS} ("slow exit") depends on the programmed state in the MRS, address bit A12. WR is the programmed value in the MRS mode register.

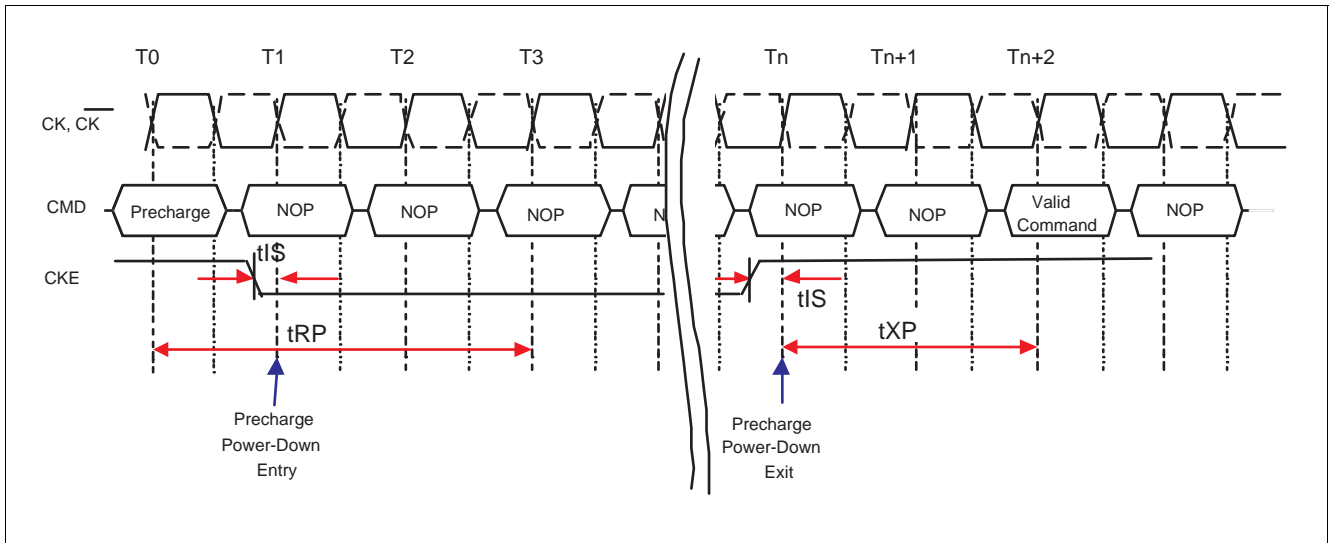


Figure 58 Precharge Power Down Mode Entry and Exit

Note: "Precharge" may be an external command or an internal precharge following Write with AP.

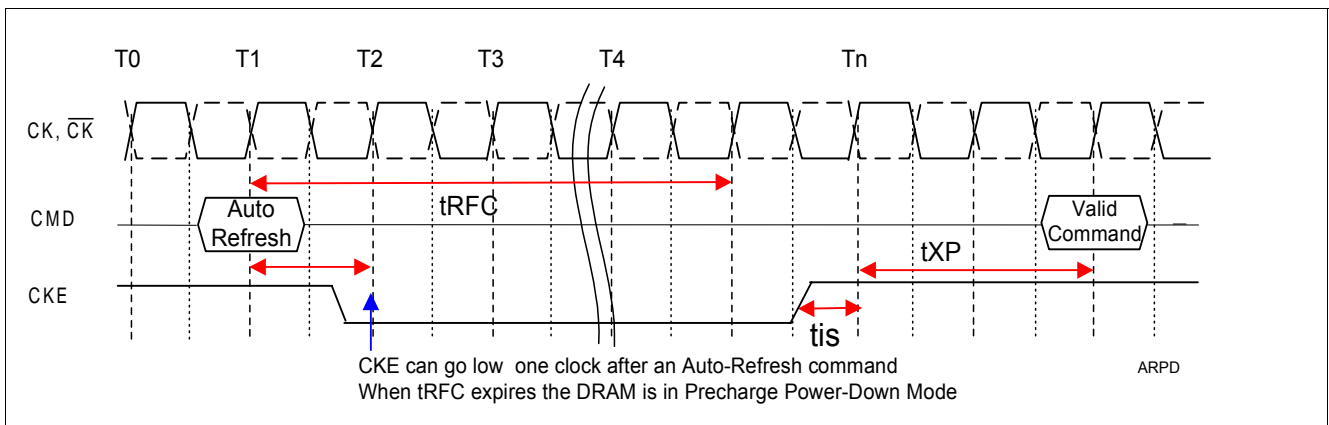


Figure 59 Auto-Refresh command to Power-Down entry

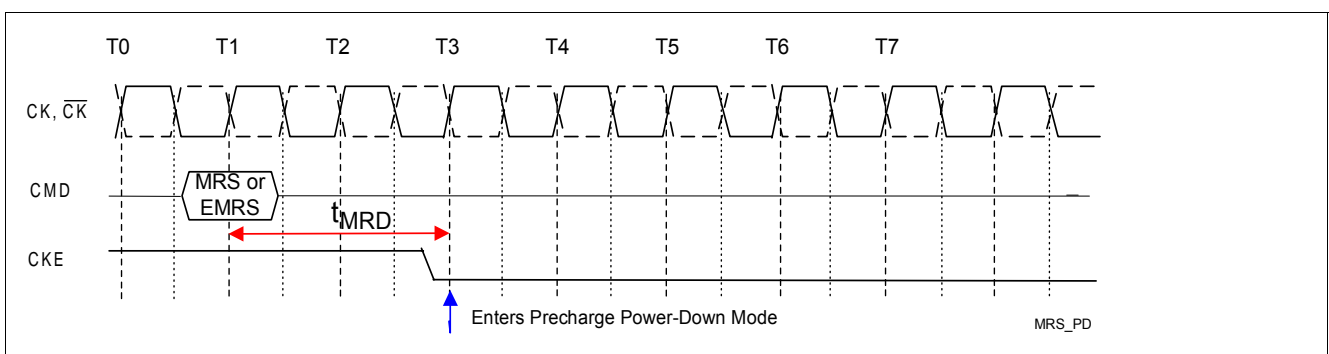


Figure 60 MRS, EMRS command to Power-Down entry

2.11 Other Commands

2.11.1 No Operation Command

The No Operation Command (NOP) should be used in cases when the SDRAM is in a idle or a wait state. The purpose of the No Operation Command is to prevent the SDRAM from registering any unwanted commands between operations. A No Operation Command is

registered when \overline{CS} is low with \overline{RAS} , \overline{CAS} , and \overline{WE} held high at the rising edge of the clock. A No Operation Command will not terminate a previous operation that is still executing, such as a burst read or write cycle.

2.11.2 Deselect Command

The Deselect Command performs the same function as a No Operation Command. Deselect Command occurs

when \overline{CS} is brought high, the \overline{RAS} , \overline{CAS} , and \overline{WE} signals become don't care.

2.12 Input Clock Frequency Change

During operation the DRAM input clock frequency can be changed under the following conditions:

- During Self-Refresh operation
- DRAM is in Precharge Power-down mode and ODT is completely turned off.

The DDR2-SDRAM has to be in Precharged Power-down mode and idle. ODT must be already turned off and CKE must be at a logic "low" state. After a minimum of two clock cycles after t_{RP} and t_{AOFD} have been

satisfied the input clock frequency can be changed. A stable new clock frequency has to be provided, before CKE can be changed to a "high" logic level again. After t_{XP} has been satisfied a DLL RESET command via EMRS(1) has to be issued. During the following DLL re-lock period of 200 clock cycles, ODT must remain off. After the DLL-re-lock period the DRAM is ready to operate with the new clock frequency.

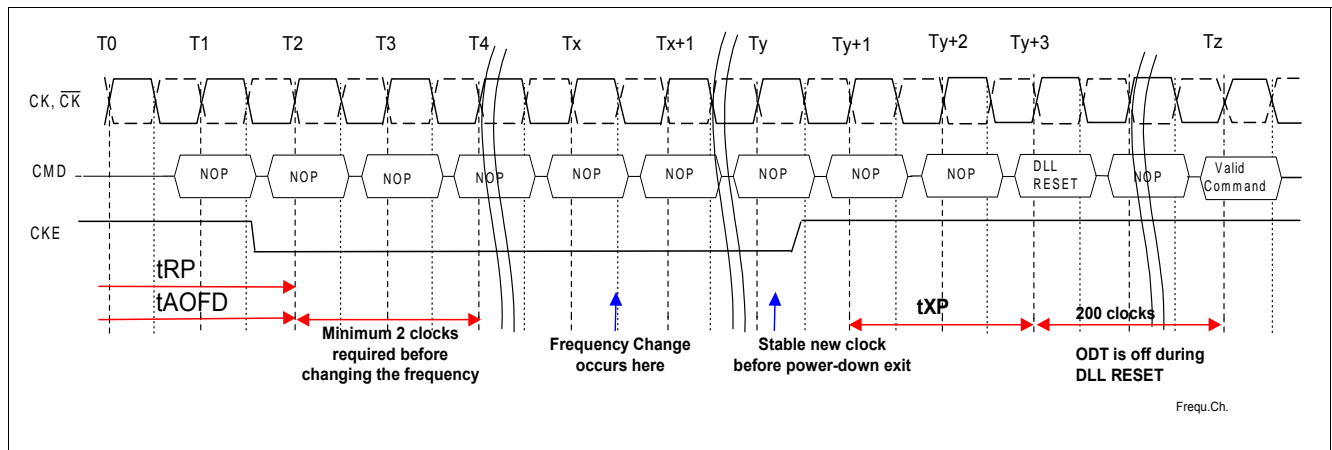


Figure 61 Input Frequency Change Example during Precharge Power-Down mode

2.13 Asynchronous CKE Low Reset Event

In a given system, Asynchronous Reset event can occur at any time without prior knowledge. In this situation, memory controller is forced to drop CKE asynchronously low, immediately interrupting any valid operation. DRAM requires CKE to be maintained “high” for all valid operations as defined in this data sheet. If CKE asynchronously drops “low” during any valid operation, the DRAM is not guaranteed to preserve the

contents of the memory array. If this event occurs, the memory controller must satisfy a time delay (t_{delay}) before turning off the clocks. Stable clocks must exist at the input of DRAM before CKE is raised “high” again. The DRAM must be fully re-initialized as described the initialization sequence (section 2.2.1, step 4 thru 13). DRAM is ready for normal operation after the initialization sequence. See [Chapter 7](#).

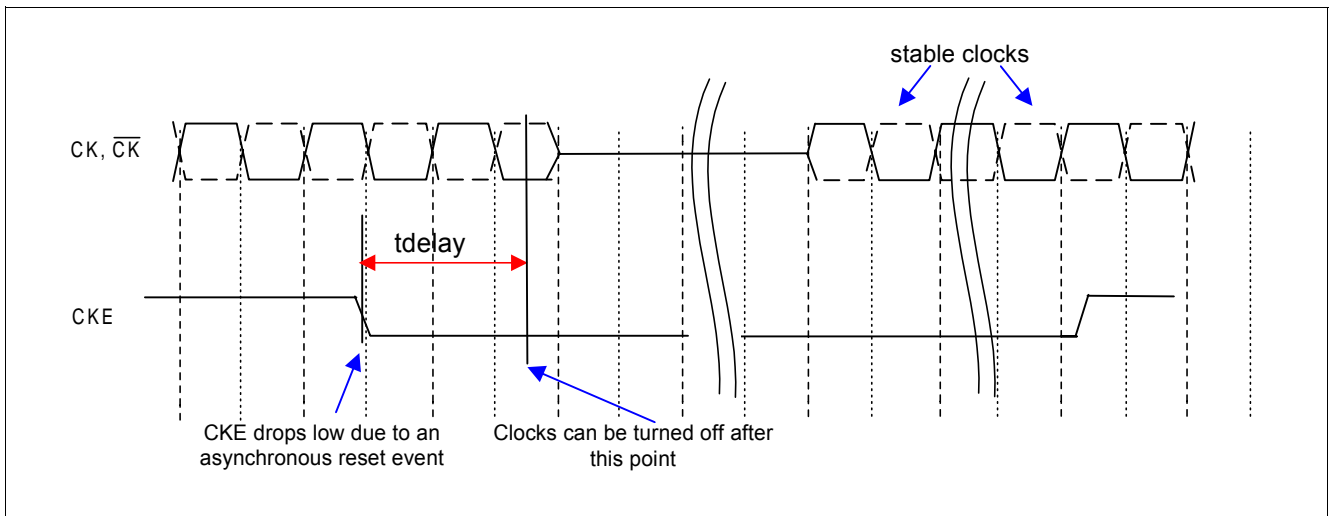


Figure 62 Asynchronous Low Reset Event

3 Truth Tables

Table 16 Command Truth Table

Function	CKE		CS	RAS	CAS	WE	BA0 BA1	A[13:11]	A10	A[9:0]	Notes 1)2)3)4)
	Previous Cycle	Current Cycle									
(Extended) Mode Register Set	H	H	L	L	L	L	BA	OP Code			5)
Auto-Refresh	H	H	L	L	L	H	X	X	X	X	
Self-Refresh Entry	H	L	L	L	L	H	X	X	X	X	6)
Self-Refresh Exit	L	H	H	X	X	X	X	X	X	X	6)
Single Bank Precharge	H	H	L	L	H	L	BA	X	L	X	5)
Precharge all Banks	H	H	L	L	H	L	X	X	H	X	
Bank Activate	H	H	L	L	H	H	BA	Row Address			5)
Write	H	H	L	H	L	L	BA	Column	L	Column	5)7)
Write with Auto-Precharge	H	H	L	H	L	L	BA	Column	H	Column	5)7)
Read	H	H	L	H	L	H	BA	Column	L	Column	5)7)
Read with Auto-Precharge	H	H	L	H	L	H	BA	Column	H	Column	5)7)
No Operation	H	X	L	H	H	H	X	X	X	X	
Device Deselect	H	X	H	X	X	X	X	X	X	X	
Power Down Entry	H	L	H	X	X	X	X	X	X	X	8)
			L	H	H	H					
Power Down Exit	L	H	H	X	X	X	X	X	X	X	4)8)
			L	H	H	H					

- 1) All DDR2 SDRAM commands are defined by states of CS, WE, RAS, CAS, and CKE at the rising edge of the clock.
- 2) The state of ODT does not affect the states described in this table. The ODT function is not available during Self Refresh.
- 3) "X" means "H or L (but a defined logic level)".
- 4) Operation that is not specified is illegal and after such an event, in order to guarantee proper operation, the DRAM must be powered down and then restarted through the specified initialization sequence before normal operation can continue.
- 5) Bank addresses (BAx) determine which bank is to be operated upon. For (E)MRS BAx selects an (Extended) Mode Register.
- 6) V_{REF} must be maintained during Self refresh Operation
- 7) Burst reads or writes at BL = 4 cannot be terminated.
- 8) The Power Down Mode does not perform any refresh operations. The duration of Power Down is therefore limited by the refresh requirements outlined in [Chapter 2.9](#).

Table 17 Clock Enable (CKE) Truth Table for Synchronous Transitions

Current State ¹⁾	CKE		Command (N) ^{2) 3)} $\overline{\text{RAS}}, \overline{\text{CAS}}, \overline{\text{WE}}, \overline{\text{CS}}$	Action (N) ²⁾	Notes ⁴⁾⁵⁾
	Previous Cycle ⁶⁾ (N-1)	Current Cycle ⁶⁾ (N)			
Power-Down	L	L	X	Maintain Power-Down	7)8)11)
	L	H	DESELECT or NOP	Power-Down Exit	9)10)11)7)
Self Refresh	L	L	X	Maintain Self Refresh	11)8)12)
	L	H	DESELECT or NOP	Self Refresh Exit	9)13)14)12)
Bank(s) Active	H	L	DESELECT or NOP	Active Power-Down Entry	9)10)15)11)7)
All Banks Idle	H	L	DESELECT or NOP	Precharge Power-Down Entry	9)10)15)11)
	H	L	AUTOREFRESH	Self Refresh Entry	16)14)11)7)
Any State other than listed above	H	H	Refer to the Command Truth Table		17)

- 1) Current state is the state of the DDR2 SDRAM immediately prior to clock edge N.
- 2) Command (N) is the command registered at clock edge N, and Action (N) is a result of Command (N)
- 3) The state of ODT does not affect the states described in this table. The ODT function is not available during Self Refresh.
- 4) CKE must be maintained high while the device is in OCD calibration mode.
- 5) Operation that is not specified is illegal and after such an event, in order to guarantee proper operation, the DRAM must be powered down and then restarted through the specified initialization sequence before normal operation can continue.
- 6) CKE (N) is the logic state of CKE at clock edge N; CKE (N-1) was the state of CKE at the previous clock edge.
- 7) The Power-Down Mode does not perform any refresh operations. The duration of Power-Down Mode is therefor limited by the refresh requirements
- 8) "X" means "don't care (including floating around V_{REF})" in Self Refresh and Power Down. However ODT must be driven high or low in Power Down if the ODT function is enabled (Bit A2 or A6 set to "1" in EMRS(1)).
- 9) All states and sequences not shown are illegal or reserved unless explicitly described elsewhere in this document.
- 10) Valid commands for Power-Down Entry and Exit are NOP and DESELECT only.
- 11) Minimum CKE high time is 3 clocks, minimum CKE low time is 3 clocks.
- 12) V_{REF} must be maintained during Self Refreh Operation
- 13) On Self Refresh Exit DESELECT or NOP commands must be issued on every clock edge occurring during the tXSNR period. Read commands may be issued only after t_{XSRD} (200 clocks) is satisfied.
- 14) Valid commands for Self Refresh Exit are NOP and DESELCT only.
- 15) Power-Down and Self Refresh can not be entered while Read or Write operations, (Extended) mode Register operations, Precharge or Refresh operations are in progress. See [Chapter 2.10](#) and [Chapter 2.9.2](#) for a detailed list of restrictions.
- 16) Self Refresh mode can only be entered from the All Banks Idle state.
- 17) Must be a legal command as defined in the Command Truth Table.

Table 18 Data Mask (DM) Truth Table

Name (Function)	DM	DQs	Notes
Write Enable	L	Valid	1)
Write Inhibit	H	X	1)

- 1) Used to mask write data; provided coincident with the corresponding data.

4 Operating Conditions

Table 19 Absolute Maximum Ratings

Symbol	Parameter	Rating	Units	Notes
V_{DD}	Voltage on V_{DD} pin relative to V_{SS}	-1.0 to +2.3	V	1)
V_{DDQ}	Voltage on V_{DDQ} pin relative to V_{SS}	-0.5 to +2.3	V	1)
V_{DDL}	Voltage on VDDL pin relative to V_{SS}	-0.5 to +2.3	V	1)
V_{IN}, V_{OUT}	Voltage on any pin relative to V_{SS}	-0.5 to +2.3	V	1)
T_{STG}	Storage Temperature	-55 to +100	°C	1)

- 1) Stresses greater than those listed under “Absolute Maximum Ratings” may cause permanent damage to the device. This is a stress rating only and functional operation of the device at these or any other conditions above those indicated in the operational sections of this specification is not implied. Exposure to absolute maximum rating conditions for extended periods may affect reliability.

Table 20 DRAM Component Operating Temperature Range

Symbol	Parameter	Rating	Units	Notes
T_{OPER}	Operating Temperature	0 to 95	°C	1)2)3)4)

- Operating Temperature is the case surface temperature on the center / top side of the DRAM. For measurement conditions, please refer to the JEDEC document JESD51-2.
- The operating temperature range are the temperatures where all DRAM specification will be supported. During operation, the DRAM case temperature must be maintained between 0 - 95 °C under all other specification parameters.
- Above 85 °C case temperature the Auto-Refresh command interval has to be reduced to $t_{REFI} = 3.9 \mu s$.
- Self-Refresh period is hard-coded in the chip and therefore it is imperative that the system ensures the DRAM is below 85°C case temperature before initiating self-refresh operation.

5 AC & DC Operating Conditions

5.1 DC Operating Conditions

Table 21 Recommended DC Operating Conditions (SSTL_18)

Symbol	Parameter	Rating			Units	Notes
		Min.	Typ.	Max.		
V_{DD}	Supply Voltage	1.7	1.8	1.9	V	1)
V_{DDDL}	Supply Voltage for DLL	1.7	1.8	1.9	V	1)
V_{DDQ}	Supply Voltage for Output	1.7	1.8	1.9	V	1)
V_{REF}	Input Reference Voltage	$0.49 \times V_{DDQ}$	$0.5 \times V_{DDQ}$	$0.51 \times V_{DDQ}$	V	2)3)
V_{TT}	Termination Voltage	$V_{REF} - 0.04$	V_{REF}	$V_{REF} + 0.04$	V	4)

- 1) V_{DDQ} tracks with V_{DD} , V_{DDDL} tracks with V_{DD} . AC parameters are measured with V_{DD} , V_{DDQ} and V_{DDDL} tied together.
- 2) The value of V_{REF} may be selected by the user to provide optimum noise margin in the system. Typically the value of V_{REF} is expected to be about $0.5 \times V_{DDQ}$ of the transmitting device and V_{REF} is expected to track variations in V_{DDQ} .
- 3) Peak to peak ac noise on V_{REF} may not exceed $\pm 2\% V_{REF}$ (dc)
- 4) V_{TT} is not applied directly to the device. V_{TT} is a system supply for signal termination resistors, is expected to be set equal to V_{REF} , and must track variations in die dc level of V_{REF} .

Table 22 ODT DC Electrical Characteristics

Parameter / Condition	Symbol	Min.	Nom.	Max.	Units	Notes
Termination resistor impedance value for EMRS(1)(A6,A2)= 0,1	$R_{tt1(eff)}$	60	75	90	Ω	1)
Termination resistor impedance value for EMRS(1)(A6,A2)=1,0	$R_{tt2(eff)}$	120	150	180	Ω	1)
Deviation of VM with respect to $V_{DDQ} / 2$	delta VM	-6.00	—	+ 6.00	%	2)

- 1) Measurement Definition for $R_{tt(eff)}$: Apply $V_{IH(ac)}$ and $V_{IL(ac)}$ to test pin separately, then measure current $I(V_{IH(ac)})$ and $I(V_{IL(ac)})$ respectively. $R_{tt(eff)} = (V_{IH(ac)} - V_{IL(ac)}) / (I(V_{IH(ac)}) - I(V_{IL(ac)}))$.
- 2) Measurement Definition for V_M : Measure voltage (V_M) at test pin (midpoint) with no load: $\text{delta } V_M = ((2 \times V_M / V_{DDQ}) - 1) \times 100\%$

Table 23 Input and Output Leakage Currents

Symbol	Parameter / Condition	Min.	Max.	Units	Notes
I_{IL}	Input Leakage Current; any input $0 \text{ V} < V_{IN} < V_{DD}$	-2	+2	μA	1)
I_{OL}	Output Leakage Current; $0 \text{ V} < V_{OUT} < V_{DDQ}$	-5	+5	μA	2)

- 1) all other pins not under test = 0 V
- 2) DQ's, DQS, \overline{DQS} and ODT are disabled

5.2 DC & AC Logic Input Levels

DDR2 SDRAM pin timing are specified for either single ended or differential mode depending on the setting of the EMRS(1) “Enable \overline{DQS} ” mode bit; timing advantages of differential mode are realized in system design. The method by which the DDR2 SDRAM pin timing are measured is mode dependent. In single ended mode, timing relationships are measured

relative to the rising or falling edges of DQS crossing at V_{REF} . In differential mode, these timing relationships are measured relative to the crosspoint of DQS and its complement, \overline{DQS} . This distinction in timing methods is verified by design and characterization but not subject to production test. In single ended mode, the \overline{DQS} (and \overline{RDQS}) signals are internally disabled and don't care.

Table 24 Single-ended DC & AC Logic Input Levels

Symbol	Parameter	Min.	Max.	Units
$V_{IH(dc)}$	DC input logic high	$V_{REF} + 0.125$	$V_{DDQ} + 0.3$	V
$V_{IL(dc)}$	DC input low	-0.3	$V_{REF} - 0.125$	V
$V_{IH(ac)}$	AC input logic high	$V_{REF} + 0.250$	—	V
$V_{IL(ac)}$	AC input low	—	$V_{REF} - 0.250$	V

Table 25 Single-ended AC Input Test Conditions

Symbol	Condition	Value	Units	Notes
V_{REF}	Input reference voltage	$0.5 \times V_{DDQ}$	V	1)2)
$V_{SWING(max)}$	Input signal maximum peak to peak swing	1.0	V	1)2)
SLEW	Input signal minimum slew rate	1.0	V / ns	3)4)

1.

- 1) This timing and slew rate definition is valid for all single-ended signals except t_{IS} , t_{IH} , t_{DS} , t_{DH} .
- 2) Input waveform timing is referenced to the input signal crossing through the V_{REF} level applied to the device under test.
- 3) The input signal minimum slew rate is to be maintained over the range from $V_{IL(dc)max}$ to $V_{IH(ac)min}$ for rising edges and the range from $V_{IH(dc)min}$ to $V_{IL(ac)max}$ for falling edges as shown in [Figure 63](#)
- 4) AC timings are referenced with input waveforms switching from $V_{IL(ac)}$ to $V_{IH(ac)}$ on the positive transitions and $V_{IH(ac)}$ to $V_{IL(ac)}$ on the negative transitions.

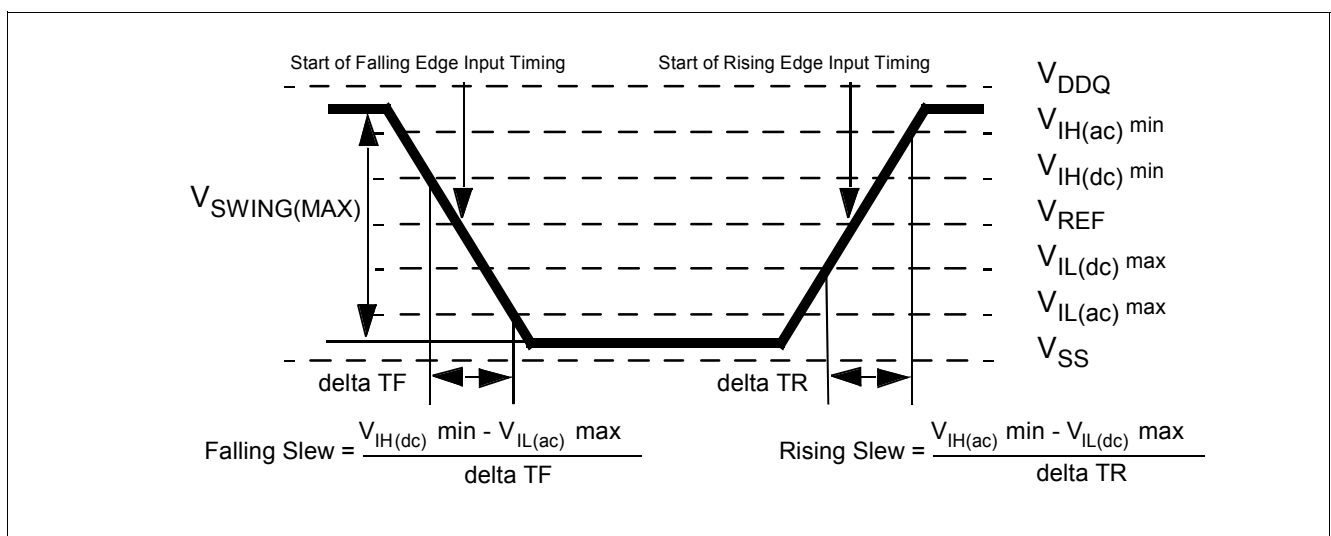


Figure 63 Single-ended AC Input Test Conditions Diagram

Table 26 Differential DC and AC Input and Output Logic Levels

Symbol	Parameter	Min.	Max.	Units	Notes
$V_{IN(dc)}$	DC input signal voltage	-0.3	$V_{DDQ} + 0.3$		1)
$V_{ID(dc)}$	DC differential input voltage	0.25	$V_{DDQ} + 0.6$		2)
$V_{ID(ac)}$	AC differential input voltage	0.5	$V_{DDQ} + 0.6$	V	3)
$V_{IX(ac)}$	AC differential cross point input voltage	$0.5 \times V_{DDQ} - 0.175$	$0.5 \times V_{DDQ} + 0.175$	V	4)
$V_{OX(ac)}$	AC differential cross point output voltage	$0.5 \times V_{DDQ} - 0.125$	$0.5 \times V_{DDQ} + 0.125$	V	5)

- 1) $V_{IN(dc)}$ specifies the allowable DC execution of each input of differential pair such as CK, \overline{CK} , DQS, \overline{DQS} etc.
- 2) $V_{ID(dc)}$ specifies the input differential voltage $V_{TR} - V_{CP}$ required for switching. The minimum value is equal to $V_{IH(dc)} - V_{IL(dc)}$.
- 3) $V_{ID(ac)}$ specifies the input differential voltage $V_{TR} - V_{CP}$ required for switching. The minimum value is equal to $V_{IH(ac)} - V_{IL(ac)}$.
- 4) The value of $V_{IX(ac)}$ is expected to equal $0.5 \times V_{DDQ}$ of the transmitting device and $V_{IX(ac)}$ is expected to track variations in V_{DDQ} . $V_{IX(ac)}$ indicates the voltage at which differential input signals must cross.
- 5) The value of $V_{OX(ac)}$ is expected to equal $0.5 \times V_{DDQ}$ of the transmitting device and $V_{OX(ac)}$ is expected to track variations in V_{DDQ} . $V_{OX(ac)}$ indicates the voltage at which differential input signals must cross.

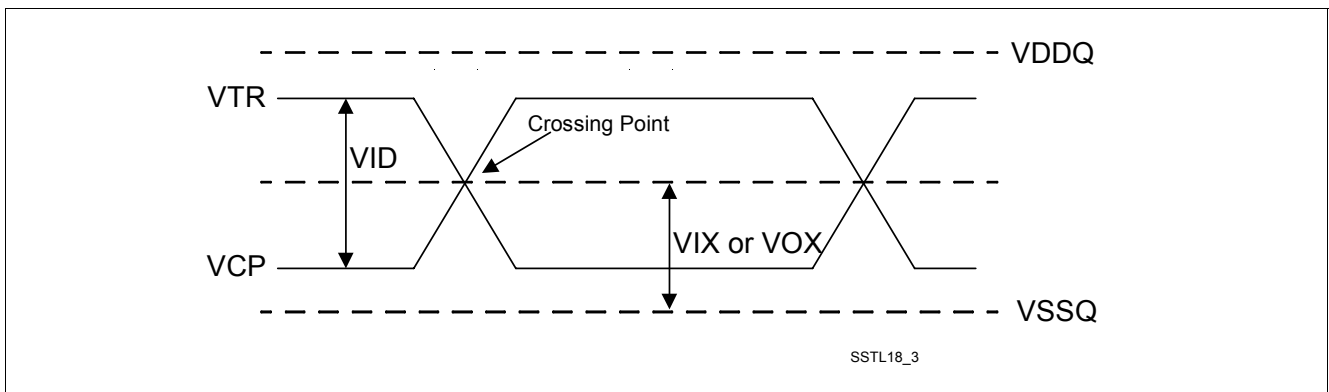


Figure 64 Differential DC and AC Input and Output Logic Levels Diagram

5.3 Output Buffer

Table 27 SSTL_18 Output AC Test Conditions

Symbol	Parameter	SSTL_18 Class II	Units	Notes
V_{OH}	Minimum Required Output Pull-up	$V_{TT} + 0.603$	V	1)
V_{OL}	Maximum Required Output Pull-down	$V_{TT} - 0.603$	V	1)
V_{OTR}	Output Timing Measurement Reference Level	$0.5 \times V_{DDQ}$	V	2)

- 1) SSTL_18 test load for V_{OH} and V_{OL} is different from the referenced load described in [Chapter 8.1](#). The SSTL_18 test load has a 20 Ohm series resistor additionally to the 25 Ohm termination resistor into V_{TT} . The SSTL_18 definition assumes that ± 335 mV must be developed across the effectively 25 Ohm termination resistor ($13.4 \text{ mA} \times 25 \text{ Ohm} = 335 \text{ mV}$). With an additional series resistor of 20 Ohm this translates into a minimum requirement of 603 mV swing relative to V_{TT} , at the output device ($13.4 \text{ mA} \times 45 \text{ Ohm} = 603 \text{ mV}$).
- 2) The V_{DDQ} of the device under test is referenced.

Table 28 SSTL_18 Output DC Current Drive

Symbol	Parameter	SSTL_18 Class II	Units	Notes
I_{OH}	Output Minimum Source DC Current	-13.4	mA	1)2)3)
I_{OL}	Output Minimum Sink DC Current	13.4	mA	2)3)4)

- 1) $V_{DDQ} = 1.7 \text{ V}$; $V_{OUT} = 1.42 \text{ V}$. $(V_{OUT} - V_{DDQ}) / I_{OH}$ must be less than 21 ohm for values of V_{OUT} between V_{DDQ} and $V_{DDQ} - 280 \text{ mV}$.
- 2) The dc value of V_{REF} applied to the receiving device is set to V_{TT} .
- 3) The values of $I_{OH(dc)}$ and $I_{OL(dc)}$ are based on the conditions given in ¹⁾ and ⁴⁾. They are used to test drive current capability to ensure V_{IHmin} , plus a noise margin and V_{ILmax} minus a noise margin are delivered to an SSTL_18 receiver. The actual current values are derived by shifting the desired driver operating points along 21 Ohm load line to define a convenient current for measurement.
- 4) $V_{DDQ} = 1.7 \text{ V}$; $V_{OUT} = 280 \text{ mV}$. V_{OUT} / I_{OL} must be less than 21 Ohm for values of V_{OUT} between 0 V and 280 mV.

Table 29 OCD Default Characteristics

Symbol	Description	Min.	Nominal	Max.	Units	Notes
—	Output Impedance	12.6	18	23.4	Ohms	1)2)
—	Pull-up / Pull down mismatch	0	—	4	Ohms	1)2)3)
—	Output Impedance step size for OCD calibration	0	—	1.5	Ohms	4)
S_{OUT}	Output Slew Rate	1.5	—	5.0	V / ns	1)5)6)7)8)

- 1) $V_{DDQ} = 1.8 \text{ V} \pm 0.1 \text{ V}$; $V_{DD} = 1.8 \text{ V} \pm 0.1 \text{ V}$
- 2) Impedance measurement condition for output source dc current: $V_{DDQ} = 1.7 \text{ V}$, $V_{OUT} = 1420 \text{ mV}$; $(V_{OUT} - V_{DDQ}) / I_{OH}$ must be less than 23.4 ohms for values of V_{OUT} between V_{DDQ} and $V_{DDQ} - 280 \text{ mV}$. Impedance measurement condition for output sink dc current: $V_{DDQ} = 1.7 \text{ V}$; $V_{OUT} = -280 \text{ mV}$; V_{OUT} / I_{OL} must be less than 23.4 Ohms for values of V_{OUT} between 0 V and 280 mV.
- 3) Mismatch is absolute value between pull-up and pull-down, both are measured at same temperature and voltage.
- 4) This represents the step size when the OCD is near 18 ohms at nominal conditions across all process parameters and represents only the DRAM uncertainty. A 0 Ohm value (no calibration) can only be achieved if the OCD impedance is 18 ± 0.75 Ohms under nominal conditions.
- 5) Slew rates measured from $V_{IL(ac)}$ to $V_{IH(ac)}$ with the load specified in [Chapter 8.2](#).
- 6) The absolute value of the slew rate as measured from DC to DC is equal to or greater than the slew rate as measured from AC to AC. This is verified by design and characterisation but not subject to production test.

- 7) Timing skew due to DRAM output slew rate mis-match between DQS / $\overline{\text{DQS}}$ and associated DQ's is included in t_{DQSQ} and t_{QHS} specification.
- 8) DRAM output slew rate specification applies to 400, 533 and 667 MT/s speed bins.

5.4 Default Output V-I Characteristics

DDR2 SDRAM output driver characteristics are defined for full strength default operation as selected by the EMRS(1) bits A[9:7] = '111'. **Figure 65** and **Figure 66** show the driver characteristics graphically and the tables show the same data suitable for input into simulation tools.

Table 30 Full Strength Default Pull-up Driver Characteristics

Voltage (V)	Pull-up Driver Current [mA]			
	Min.	Nominal Default low	Nominal Default high	Max.
0.2	-8.5	-11.1	-11.8	-15.9
0.3	-12.1	-16.0	-17.0	-23.8
0.4	-14.7	-20.3	-22.2	-31.8
0.5	-16.4	-24.0	-27.5	-39.7
0.6	-17.8	-27.2	-32.4	-47.7
0.7	-18.6	-29.8	-36.9	-55.0
0.8	-19.0	-31.9	-40.8	-62.3
0.9	-19.3	-33.4	-44.5	-69.4
1.0	-19.7	-34.6	-47.7	-75.3
1.1	-19.9	-35.5	-50.4	-80.5
1.2	-20.0	-36.2	-52.5	-84.6
1.3	-20.1	-36.8	-54.2	-87.7
1.4	-20.2	-37.2	-55.9	-90.8
1.5	-20.3	-37.7	-57.1	-92.9
1.6	-20.4	-38.0	-58.4	-94.9
1.7	-20.6	-38.4	-59.6	-97.0
1.8	—	-38.6	-60.8	-99.1
1.9	—	—	—	-101.1

Note: The driver characteristics evaluation conditions are:

1. Nominal Default 25°C (T_{case}), $V_{\text{DDQ}} = 1.8 \text{ V}$, typical process
2. Minimum 95 °C (T_{case}), $V_{\text{DDQ}} = 1.7 \text{ V}$, slow–slow process
3. Maximum 0 °C (T_{case}), $V_{\text{DDQ}} = 1.9 \text{ V}$, fast–fast process

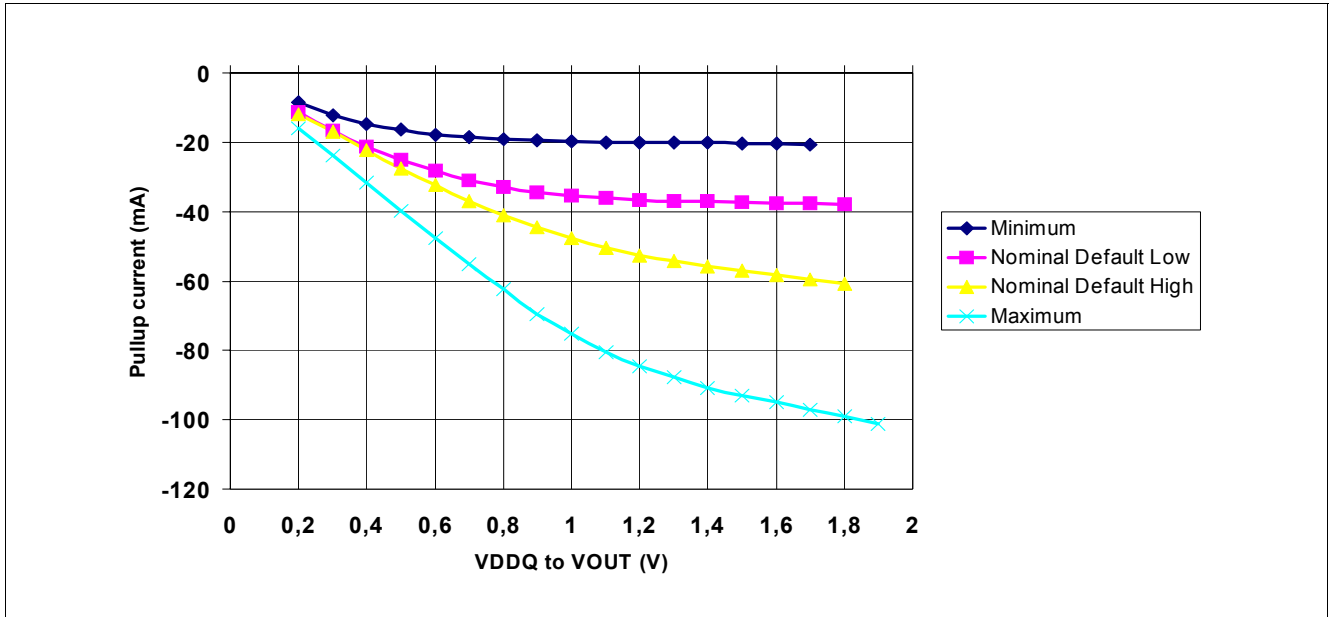


Figure 65 Full Strength Default Pull-up Driver Diagram

Table 31 Full Strength Default Pull-down Driver Characteristics

Voltage (V)	Pull-down Driver Current [mA]			
	Minimum	Nominal Default low	Nominal Default high	Maximum
0.2	8.5	11.3	11.8	15.9
0.3	12.1	16.5	16.8	23.8
0.4	14.7	21.2	22.1	31.8
0.5	16.4	25.0	27.6	39.7
0.6	17.8	28.3	32.4	47.7
0.7	18.6	30.9	36.9	55.0
0.8	19.0	33.0	40.9	62.3
0.9	19.3	34.5	44.6	69.4
1.0	19.7	35.5	47.7	75.3
1.1	19.9	36.1	50.4	80.5
1.2	20.0	36.6	52.6	84.6
1.3	20.1	36.9	54.2	87.7
1.4	20.2	37.1	55.9	90.8
1.5	20.3	37.4	57.1	92.9
1.6	20.4	37.6	58.4	94.9
1.7	20.6	37.7	59.6	97.0
1.8	—	37.9	60.9	99.1
1.9	—	—	—	101.1

Note: The driver characteristics evaluation conditions are:

1. Nominal Default 25 °C (T_{case}), $V_{DDQ} = 1.8$ V, typical process,
2. Minimum 95 °C (T_{case}), $V_{DDQ} = 1.7$ V, slow-slow process,
3. Maximum 0 °C (T_{case}). $V_{DDQ} = 1.9$ V, fast-fast process

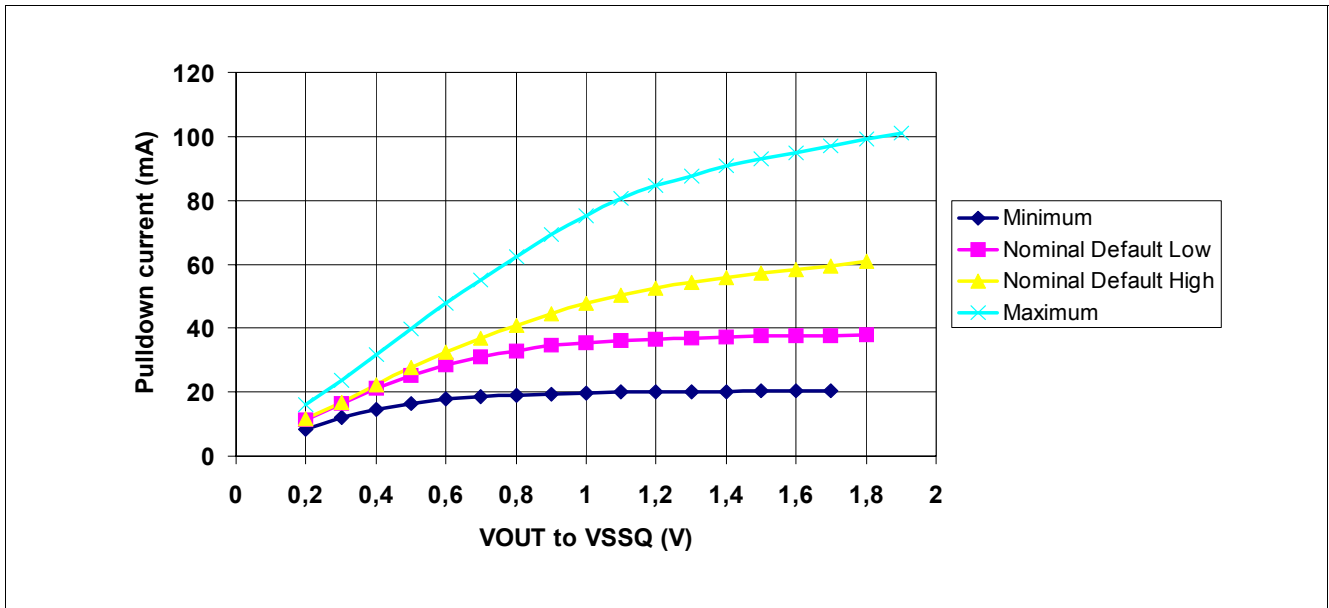


Figure 66 Full Strength Default Pull-down Driver Diagram

5.4.1 Calibrated Output Driver V-I Characteristics

DDR2 SDRAM output driver characteristics are defined for full strength calibrated operation as selected by the procedure outlined in the Off-Chip Driver (OCD) Impedance Adjustment. The [Table 32](#) and [Table 33](#) show the data in tabular format suitable for input into simulation tools. The nominal points represent a device at exactly 18 ohms. The nominal low and nominal high values represent the range that can be achieved with a maximum 1.5 ohms step size with no calibration error at the exact nominal conditions only (i.e. perfect calibration procedure, 1.5 ohm maximum step size guaranteed by specification). Real system calibration error needs to be added to these values. It must be understood that these V-I curves are represented here or in supplier IBIS models need to be adjusted to a wider range as a result of any system calibration error. Since this is a system specific phenomena, it cannot be quantified here. The values in the calibrated tables represent just the DRAM portion of uncertainty while

looking at one DQ only. If the calibration procedure is used, it is possible to cause the device to operate outside the bounds of the default device characteristics tables and figure. In such a situation, the timing parameters in the specification cannot be guaranteed. It is solely up to the system application to ensure that the device is calibrated between the minimum and maximum default values at all times. If this can't be guaranteed by the system calibration procedure, re-calibration policy and uncertainty with DQ to DQ variation, it is recommended that only the default values to be used. The nominal maximum and minimum values represent the change in impedance from nominal low and high as a result of voltage and temperature change from the nominal condition to the maximum and minimum conditions. If calibrated at an extreme condition, the amount of variation could be as much as from the nominal minimum to the nominal maximum or vice versa.

Table 32 Full Strength Calibrated Pull-down Driver Characteristics

Voltage (V)	Calibrated Pull-down Driver Current [mA]				
	Nominal Minimum (21 Ohms)	Normal Low (18.75 Ohms)	Nominal (18 ohms)	Normal High (17.25 Ohms)	Nominal Maximum (15 Ohms)
0.2	9.5	10.7	11.5	11.8	13.3
0.3	14.3	16.0	16.6	17.4	20.0
0.4	18.7	21.0	21.6	23.0	27.0

Note: The driver characteristics evaluation conditions are:

1. Nominal 25 °C (T_{case}), $V_{DDQ} = 1.8$ V, typical process
2. Nominal Low and Nominal High 25 °C (T_{case}), $V_{DDQ} = 1.8$ V, any process
3. Nominal Minimum 95 °C (T_{case}), $V_{DDQ} = 1.7$ V, any process
4. Nominal Maximum 0 °C (T_{case}), $V_{DDQ} = 1.9$ V, any process

Table 33 Full Strength Calibrated Pull-up Driver Characteristics

Voltage (V)	Calibrated Pull-up Driver Current [mA]				
	Nominal Minimum (21 Ohms)	Normal Low (18.75 Ohms)	Nominal (18 ohms)	Normal High (17.25 Ohms)	Nominal Maximum (15 Ohms)
0.2	-9.5	-10.7	-11.4	-11.8	-13.3
0.3	-14.3	-16.0	-16.5	-17.4	-20.0
0.4	-18.3	-21.0	-21.2	-23.0	-27.0

Note: The driver characteristics evaluation conditions are:

1. Nominal 25 °C (T_{case}), $V_{DDQ} = 1.8$ V, typical process
2. Nominal Low and Nominal High 25 °C (T_{case}), $V_{DDQ} = 1.8$ V, any process
3. Nominal Minimum 95 °C (T_{case}), $V_{DDQ} = 1.7$ V, any process
4. Nominal Maximum 0 °C (T_{case}), $V_{DDQ} = 1.9$ V, any process

5.5 Input / Output Capacitance

Table 34 Input / Output Capacitance

Symbol	Parameter	min.	max.	Units
CCK	Input capacitance, CK and \overline{CK}	1.0	2.0	pF
CDCK	Input capacitance delta, CK and \overline{CK}	—	0.25	pF
CI	Input capacitance, all other input-only pins	1.0	2.0	pF
CDI	Input capacitance delta, all other input-only pins	—	0.25	pF
CIO	Input/output capacitance, DQ, DM, DQS, \overline{DQS} , RDQS, \overline{RDQS}	3.0	4.0	pF
CDIO	Input/output capacitance delta, DQ, DM, DQS, \overline{DQS} , RDQS, \overline{RDQS}	—	0.5	pF

5.6 Power & Ground Clamp V-I Characteristics

Power and Ground clamps are provided on address pins. The V-I characteristics for pins with clamps is (A[13:0], BA[1:0]), $\overline{\text{RAS}}$, $\overline{\text{CAS}}$, $\overline{\text{CS}}$, $\overline{\text{WE}}$, CKE and ODT shown in [Table 35](#).

Table 35 Power & Ground Clamp V-I Characteristics

Voltage across clamp (V)	Minimum Power Clamp Current (mA)	Minimum Ground Clamp Current (mA)
0.0	0	0
0.1	0	0
0.2	0	0
0.3	0	0
0.4	0	0
0.5	0	0
0.6	0	0
0.7	0	0
0.8	0.1	0.1
0.9	1.0	1.0
1.0	2.5	2.5
1.1	4.7	4.7
1.2	6.8	6.8
1.3	9.1	9.1
1.4	11.0	11.0
1.5	13.5	13.5
1.6	16.0	16.0
1.7	18.2	18.2
1.8	21.0	21.0

6 I_{DD} Specifications and Conditions

Table 36 I_{DD} Measurement Conditions

Parameter	Symbol	Notes 1)2)3)4)5)6)
Operating Current 0 One bank Active - Precharge; $t_{CK} = t_{CKmin.}$, $t_{RC} = t_{RCmin.}$, $t_{RAS} = t_{RASmin.}$, CKE is HIGH, \overline{CS} is high between valid commands. Address and control inputs are SWITCHING, Databus inputs are SWITCHING.	I_{DD0}	
Operating Current 1 One bank Active - Read - Precharge; $I_{OUT} = 0$ mA, BL = 4, $t_{CK} = t_{CKmin.}$, $t_{RC} = t_{RCmin.}$, $t_{RAS} = t_{RASmin.}$, $t_{RCD} = t_{RCDmin.}$, AL = 0, CL = CL _{min.} ; CKE is HIGH, \overline{CS} is high between valid commands. Address and control inputs are SWITCHING, Databus inputs are SWITCHING.	I_{DD1}	
Precharge Power-Down Current All banks idle; CKE is LOW; $t_{CK} = t_{CKmin.}$; Other control and address inputs are STABLE, Data bus inputs are FLOATING.	I_{DD2P}	
Precharge Standby Current All banks idle; \overline{CS} is HIGH; CKE is HIGH; $t_{CK} = t_{CKmin.}$; Other control and address inputs are SWITCHING, Data bus inputs are SWITCHING.	I_{DD2N}	
Precharge Quiet Standby Current All banks idle; \overline{CS} is HIGH; CKE is HIGH; $t_{CK} = t_{CKmin.}$; Other control and address inputs are STABLE, Data bus inputs are FLOATING.	I_{DD2Q}	
Active Power-Down Current All banks open; $t_{CK} = t_{CKmin.}$, CKE is LOW; Other control and address inputs are STABLE, Data bus inputs are FLOATING. MRS A12 bit is set to "0" (Fast Power-down Exit);	$I_{DD3P(0)}$	
Active Power-Down Current All banks open; $t_{CK} = t_{CKmin.}$, CKE is LOW; Other control and address inputs are STABLE, Data bus inputs are FLOATING. MRS A12 bit is set to "1" (Slow Power-down Exit);	$I_{DD3P(1)}$	
Active Standby Current Burst Read: All banks open; Continuous burst reads; BL = 4; AL = 0, CL = CL _{min.} ; $t_{CK} = t_{CKmin.}$; $t_{RAS} = t_{RASmax.}$, $t_{RP} = t_{RPmin.}$; CKE is HIGH, \overline{CS} is high between valid commands. Address inputs are SWITCHING; Data Bus inputs are SWITCHING; $I_{OUT} = 0$ mA.	I_{DD3N}	
Operating Current Burst Read: All banks open; Continuous burst reads; BL = 4; AL = 0, CL = CL _{min.} ; $t_{CK} = t_{CKmin.}$; $t_{RAS} = t_{RASmax.}$, $t_{RP} = t_{RPmin.}$; CKE is HIGH, \overline{CS} is high between valid commands. Address inputs are SWITCHING; Data Bus inputs are SWITCHING; $I_{OUT} = 0$ mA.	I_{DD4R}	
Operating Current Burst Write: All banks open; Continuous burst writes; BL = 4; AL = 0, CL = CL _{min.} ; $t_{CK} = t_{CKmin.}$; $t_{RAS} = t_{RASmax.}$, $t_{RP} = t_{RPmin.}$; CKE is HIGH, \overline{CS} is high between valid commands. Address inputs are SWITCHING; Data Bus inputs are SWITCHING;	I_{DD4W}	
Burst Refresh Current $t_{CK} = t_{CKmin.}$, Refresh command every $t_{RFC} = t_{RFCmin.}$ interval, CKE is HIGH, \overline{CS} is HIGH between valid commands, Other control and address inputs are SWITCHING, Data bus inputs are SWITCHING.	I_{DD5B}	
Distributed Refresh Current $t_{CK} = t_{CKmin.}$, Refresh command every $t_{RFI} = t_{RFI}$ interval, CKE is LOW and \overline{CS} is HIGH between valid commands, Other control and address inputs are SWITCHING, Data bus inputs are SWITCHING.	I_{DD5D}	

I_{DD} Specifications and Conditions

Table 36 I_{DD} Measurement Conditions

Parameter	Symbol	Notes 1)2)3)4)5)6)
Self-Refresh Current CKE ≤ 0.2 V; external clock off, CK and \overline{CK} at 0 V; Other control and address inputs are FLOATING, Data bus inputs are FLOATING. RESET = Low. I_{DD6} current values are guaranteed up to T_{CASE} of 85 °C max.	I_{DD6}	
All Bank Interleave Read Current All banks are being interleaved at minimum t_{RC} without violating t_{RRD} using a burst length of 4. Control and address bus inputs are STABLE during DESELECTS. $I_{out} = 0$ mA.	I_{DD7}	

- 1) $V_{DDQ} = 1.8 \text{ V} \pm 0.1 \text{ V}$; $V_{DD} = 1.8 \text{ V} \pm 0.1 \text{ V}$
- 2) I_{DD} specifications are tested after the device is properly initialized.
- 3) I_{DD} parameter are specified with ODT disabled.
- 4) Data Bus consists of DQ, DM, DQS, \overline{DQS} , RDQS, \overline{RDQS} , LDQS, \overline{LDQS} , UDQS and \overline{UDQS} .
- 5) Definitions for I_{DD} : LOW is defined as $V_{IN} \leq V_{IL(ac)max}$; HIGH is defined as $V_{IN} \geq V_{IH(ac)min}$; STABLE is defined as inputs are stable at a HIGH or LOW level; FLOATING is defined as inputs are $V_{REF} = V_{DDQ} / 2$; SWITCHING is defined as: Inputs are changing between HIGH and LOW every other clock (once per two clocks) for address and control signals, and inputs changing between HIGH and LOW every other clock (once per clock) for DQ signals not including mask or strobes.
- 6) Timing parameter minimum and maximum values for I_{DD} current measurements are defined in [Table 38](#).

Table 37 I_{DD} Specification

Product Type Speed Code	–3.7	–5	Unit	Notes
Speed Grade	DDR2 – 533	DDR2 – 400		
Symbol	Max.	Max.		
I_{DD0}	65	55	mA	×4/×8
	80	70	mA	×16
I_{DD1}	75	60	mA	×4/×8
	90	75	mA	×16
I_{DD2P}	4	4	mA	×16/×4/×8
I_{DD2N}	40	32	mA	×16/×4/×8
I_{DD2Q}	30	25	mA	×16/×4/×8
I_{DD3P}	16	13	mA	×16/×4/×8 MRS(12)=0
	5	5	mA	×16/×4/×8 MRS(12)=1
I_{DD3N}	40	35	mA	×16/×4/×8
I_{DD4R}	90	70	mA	×4/×8
	100	85	mA	×16
I_{DD4W}	95	75	mA	×4/×8
	110	90	mA	×16
I_{DD5B}	130	120	mA	×16/×4/×8
I_{DD5D}	6	6	mA	×16/×4/×8
I_{DD6}	4	4	mA	¹⁾ , standard products
	2	2	mA	¹⁾ , low power products
I_{DD7}	140	130	mA	×4/×8
	220	210	mA	×16

1) I_{DD6} : $0 \leq T_{CASE} \leq 85 \text{ °C}$

6.1 I_{DD} Test Conditions

For testing the I_{DD} parameters, the following timing parameters are used:

Table 38 IDD Measurement Test Condition

Parameter	Symbol	-3.7	-5	Units	Notes
		DDR2–533 4–4–4	DDR2–400 3–3–3		
CAS Latency	CL_{min}	4	3	t_{CK}	
Clock Cycle Time	t_{CKmin}	3.75	5	ns	
Active to Read or Write delay	t_{RCDmin}	15	15	ns	
Active to Active / Auto-Refresh command period	t_{RCmin}	60	55	ns	
Active bank A to Active bank B command delay	t_{RRDmin}	7.5	7.5	ns	1)
		10	10	ns	2)
Active to Precharge Command	t_{RASmin}	45	40	ns	
Precharge Command Period	t_{RPmin}	15	15	ns	
Auto-Refresh to Active / Auto-Refresh command period	t_{RFCmin}	105	105	ns	

1) $\times 4$ & $\times 8$ (1 kB page size)

2) $\times 16$ (2 kB page size)

6.2 On Die Termination (ODT) Current

The ODT function adds additional current consumption to the DDR2 SDRAM when enabled by the EMRS(1). Depending on address bits A6 & A2 in the EMRS(1) a “week” or “strong” termination can be selected. The

current consumption for any terminated input pin, depends on the input pin is in tri-state or driving “0” or “1”, as long a ODT is enabled during a given period of time.

Table 39 ODT current per terminated input pin:

ODT Current		EMRS(1) State	min.	typ.	max.	Unit
Enabled ODT current per DQ added I_{DDQ} current for ODT enabled; ODT is HIGH; Data Bus inputs are FLOATING	I_{ODTO}	A6 = 0, A2 = 1	5	6	7.5	mA/DQ
		A6 = 1, A2 = 0	2.5	3	3.75	mA/DQ
Active ODT current per DQ added I_{DDQ} current for ODT enabled; ODT is HIGH; worst case of Data Bus inputs are STABLE or SWITCHING.	I_{ODTT}	A6 = 0, A2 = 1	10	12	15	mA/DQ
		A6 = 1, A2 = 0	5	6	7.5	mA/DQ

Note: For power consumption calculations the ODT duty cycle has to be taken into account

Electrical Characteristics & AC Timing - Absolute Specification

7 Electrical Characteristics & AC Timing - Absolute Specification

Table 40 Timing Parameter by Speed Grade - DDR2-400 & DDR2-533¹⁾²⁾³⁾⁴⁾⁵⁾⁶⁾

Symbol	Parameter	–5 DDR2–400 3–3–3		–3.7 DDR2–533 4–4–4		Unit	Notes
		Min.	Max.	Min.	Max.		
t_{AC}	DQ output access time from CK / \overline{CK}	–600	+ 600	–500	+500	ps	
t_{DQSCK}	DQS output access time from CK / \overline{CK}	–500	+ 500	–450	+450	ps	
t_{CH}	CK, \overline{CK} high-level width	0.45	0.55	0.45	0.55	t_{CK}	
t_{CL}	CK, \overline{CK} low-level width	0.45	0.55	0.45	0.55	t_{CK}	
t_{HP}	Clock half period	min. (t_{CL} , t_{CH})		min. (t_{CL} , t_{CH})			7)
t_{CK}	Clock cycle time	5000	8000	5000	8000	ps	8)9)
		5000	8000	3750	8000	ps	8)10)
t_{IS}	Address and control input setup time	350	—	250	—	ps	11)
t_{IH}	Address and control input hold time	475	—	375	—	ps	11)
t_{DS}	DQ and DM input setup time	150	—	100	—	ps	12)
t_{DH}	DQ and DM input hold time	275	—	225	—	ps	12)
t_{IPW}	Address and control input pulse width (each input)	0.6	—	0.6	—	t_{CK}	
t_{DIPW}	DQ and DM input pulse width (each input)	0.35	—	0.35	—	t_{CK}	
t_{HZ}	Data-out high-impedance time from CK / \overline{CK}	—	t_{ACmax}	—	t_{ACmax}	ps	13)
$t_{LZ(DQ)}$	DQ low-impedance time from CK / \overline{CK}	$2 \times t_{ACmin}$	t_{ACmax}	$2 \times t_{ACmin}$	t_{ACmax}	ps	13)
$t_{LZ(DQS)}$	DQS low-impedance from CK / \overline{CK}	t_{ACmin}	t_{ACmax}	t_{ACmin}	t_{ACmax}	ps	13)
t_{DQSQ}	DQS-DQ skew (for DQS & associated DQ signals)	—	350	—	300	ps	14)
t_{QHS}	Data hold skew factor	—	450	—	400	ps	
t_{QH}	Data output hold time from DQS	$t_{HP} - t_{QHS}$	—	$t_{HP} - t_{QHS}$	—		
t_{DQSS}	Write command to 1st DQS latching transition	WL –0.25	WL +0.25	WL –0.25	WL +0.25	t_{CK}	
$t_{DQSL,H}$	DQS input low (high) pulse width (write cycle)	0.35	—	0.35	—	t_{CK}	
t_{DSS}	DQS falling edge to CK setup time (write cycle)	0.2	—	0.2	—	t_{CK}	
t_{DSH}	DQS falling edge hold time from CK (write cycle)	0.2	—	0.2	—	t_{CK}	
t_{MRD}	Mode register set command cycle time	2	—	2	—	t_{CK}	
t_{WPRE}	Write preamble	0.25	—	0.25	—	t_{CK}	
t_{WPST}	Write postamble	0.40	0.60	0.40	0.60	t_{CK}	15)
t_{RPRE}	Read preamble	0.9	1.1	0.9	1.1	t_{CK}	13)
t_{RPST}	Read postamble	0.40	0.60	0.40	0.60	t_{CK}	13)
t_{RAS}	Active to Precharge command	40	70000	45	70000	ns	16)
t_{RC}	Active to Active/Auto-Refresh command period	55	—	60	—	ns	

Electrical Characteristics & AC Timing - Absolute Specification

Table 40 Timing Parameter by Speed Grade - DDR2-400 & DDR2-533¹⁾²⁾³⁾⁴⁾⁵⁾⁶⁾

Symbol	Parameter	-5 DDR2-400 3-3-3		-3.7 DDR2-533 4-4-4		Unit	Notes
		Min.	Max.	Min.	Max.		
t_{RFC}	Auto-Refresh to Active/Auto-Refresh command period	105	—	105	—	ns	17)
t_{RCD}	Active to Read or Write delay (with and without Auto-Precharge)	15	—	15	—	ns	18)
t_{RP}	Precharge command period	15	—	15	—	ns	
t_{RRD}	Active bank A to Active bank B command period	7.5	—	7.5	—	ns	19)
		10	—	10	—	ns	20)
t_{CCD}	\overline{CAS} A to \overline{CAS} B command period	2		2		t_{CK}	
t_{WR}	Write recovery time	15	—	15	—	ns	
t_{DAL}	Auto-Precharge write recovery + precharge time	$WR + t_{RP}$	—	$WR + t_{RP}$	—	t_{CK}	21)
t_{WTR}	Internal Write to Read command delay	10	—	7.5	—	ns	22)
t_{RTP}	Internal Read to Precharge command delay	7.5	—	7.5	—	ns	
t_{XARD}	Exit power down to any valid command (other than NOP or Deselect)	2	—	2	—	t_{CK}	23)
t_{XARDS}	Exit active power-down mode to Read command (slow exit, lower power)	6 - AL	—	6 - AL	—	t_{CK}	23)
t_{XP}	Exit precharge power-down to any valid command (other than NOP or Deselect)	2	—	2	—	t_{CK}	
t_{XSRD}	Exit Self-Refresh to Read command	200	—	200	—	t_{CK}	
t_{XSNR}	Exit Self-Refresh to non-Read command	$t_{RFC}+10$	—	$t_{RFC}+10$	—	ns	
t_{CKE}	CKE minimum high and low pulse width	3	—	3	—	t_{CK}	
t_{REFI}	Average periodic refresh Interval	—	7.8	—	7.8	μs	24)25)
		—	3.9	—	3.9	μs	26)
t_{OIT}	OCD drive mode output delay	0	12	0	12	ns	
t_{DELAY}	Minimum time clocks remain ON after CKE asynchronously drops LOW	$t_{IS}+t_{CK}+t_{IH}$	—	$t_{IS}+t_{CK}+t_{IH}$	—	ns	27)

- 1) $V_{DDQ} = 1.8V \pm 0.1V$; $V_{DD} = 1.8V \pm 0.1V$) See notes ³⁾⁴⁾⁵⁾⁶⁾
- 2) Timing that is not specified is illegal and after such an event, in order to guarantee proper operation, the DRAM must be powered down and then restarted through the specified initialization sequence before normal operation can continue.
- 3) Timings are guaranteed with CK/ \overline{CK} differential slew rate of 2.0 V/ns. For DQS signals timings are guaranteed with a differential slew rate of 2.0 V/ns in differential strobe mode and a slew rate of 1 V/ns in single ended mode. For other slew rates see [Chapter 8](#) of this datasheet.
- 4) The CK / \overline{CK} input reference level (for timing reference to CK / \overline{CK}) is the point at which CK and \overline{CK} cross. The DQS / \overline{DQS} , RDQS/ \overline{RDQS} , input reference level is the crosspoint when in differential strobe mode; The input reference level for signals other than CK/ \overline{CK} , DQS / \overline{DQS} , RDQS / \overline{RDQS} , t_{IS} , t_{IH} , t_{DS} , t_{DH} is V_{REF} . For t_{IS} , t_{IH} , t_{DS} , t_{DH} input reference levels see [Chapter 8.3](#) of this datasheet.
- 5) Inputs are not recognized as valid until V_{REF} stabilizes. During the period before V_{REF} stabilizes, CKE = 0.2 x V_{DDQ} is recognized as LOW.
- 6) The output timing reference voltage level is V_{TT} . See [Chapter 8](#) for the reference load for timing measurements.
- 7) Min (t_{CL} , t_{CH}) refers to the smaller of the actual clock low time and the actual clock high time as provided to the device (i.e. this value can be greater than the minimum specification limits for t_{CL} and t_{CH}).
- 8) For input frequency change during DRAM operation, see [Chapter 2.12](#) of this datasheet.

Electrical Characteristics & AC Timing - Absolute Specification

- 9) CL = 3
- 10) CL = 4 & 5
- 11) For timing definition, slew rate and slew rate derating see [Chapter 8.3](#)
- 12) For timing definition, slew rate and slew rate derating see [Chapter 8.3](#)
- 13) The t_{HZ} , t_{RPST} and t_{LZ} , t_{RPRE} parameters are referenced to a specific voltage level, which specify when the device output is no longer driving (t_{HZ} , t_{RPST}), or begins driving (t_{LZ} , t_{RPRE}). t_{HZ} and t_{LZ} transitions occur in the same access time windows as valid data transitions. These parameters are verified by design and characterisation, but not subject to production test.
- 14) Consists of data pin skew and output pattern effects, and p-channel to n-channel variation of the output drivers as well as output slew rate mis-match between DQS / \overline{DQS} and associated DQ in any given cycle.
- 15) The maximum limit for this parameter is not a device limit. The device operate with a greater value for this parameter, but system performance (bus turnaround) degrades accordingly.
- 16) $t_{RAS(max)}$ is calculated from the maximum amount of time a DDR2 device can operate without a Refresh command which is equal to $9 \times t_{REFI}$.
- 17) A maximum of eight Auto-Refresh commands can be posted to any given DDR2 SDRAM device.
- 18) The t_{RCD} timing parameter is valid for both activate command to read or write command with and without Auto-Precharge. Therefore a separate parameter t_{RAP} for activate command to read or write command with Auto-Precharge is not necessary anymore.
- 19) $\times 4$ & $\times 8$ (1k page size)
- 20) $\times 16$ (2k page size)
- 21) For each of the terms, if not already an integer, round to the next highest integer. t_{CK} refers to the application clock period. WR refers to the WR parameter stored in the MRS.
- 22) t_{WTR} is at least two clocks independent of operation frequency.
- 23) User can choose two different active power-down modes for additional power saving via MRS address bit A12.
- 24) The Auto-Refresh command interval has be reduced to $3.9 \mu s$ when operating the DDR2 DRAM in a temperature range between $85^{\circ}C$ and $95^{\circ}C$.
- 25) $0^{\circ}C - 85^{\circ}C$
- 26) $85^{\circ}C - 95^{\circ}C$
- 27) The clock frequency is allowed to change during self-refresh mode or precharge power-down mode. In case of clock frequency change during power-down, a specific procedure is required as describes in [Chapter 2.12](#).

Table 41 ODT AC Electrical Characteristics and Operating Conditions (all speed bins)

Symbol	Parameter / Condition	Min.	Max.	Units	Notes
t_{AOND}	ODT turn-on delay	2	2	t_{CK}	
t_{AON}	ODT turn-on	$t_{AC(min)}$	$t_{AC(max)} + 1 \text{ ns}$	ns	1)
t_{AONPD}	ODT turn-on (Power-Down Modes)	$t_{AC(min)} + 2 \text{ ns}$	$2 t_{CK} + t_{AC(max)} + 1 \text{ ns}$	ns	
t_{AOFD}	ODT turn-off delay	2.5	2.5	t_{CK}	
t_{AOF}	ODT turn-off	$t_{AC(min)}$	$t_{AC(max)} + 0.6 \text{ ns}$	ns	2)
t_{AOFPD}	ODT turn-off (Power-Down Modes)	$t_{AC(min)} + 2 \text{ ns}$	$2.5 t_{CK} + t_{AC(max)} + 1 \text{ ns}$	ns	
t_{ANPD}	ODT to Power Down Mode Entry Latency	3	—	t_{CK}	
t_{AXPD}	ODT Power Down Exit Latency	8	—	t_{CK}	

- 1) ODT turn on time min. is when the device leaves high impedance and ODT resistance begins to turn on. ODT turn on time max is when the ODT resistance is fully on. Both are measure from t_{AOND} .
- 2) ODT turn off time min. is when the device starts to turn off ODT resistance. ODT turn off time max is when the bus is in high impedance. Both are measured from t_{AOFD} .

8 Reference Loads, Setup & Hold Timing Definition and Slew Rate Derating

8.1 Reference Load for Timing Measurements

The figure represents the timing reference load used in defining the relevant timing parameters of the device. It is not intended to either a precise representation of the typical system environment nor a depiction of the actual load presented by a production tester. System designers should use IBIS or other simulation tools to correlate the timing reference load to a system environment. Manufacturers correlate to their production test conditions, generally a coaxial

transmission line terminated at the tester electronics. This reference load is also used for output slew rate characterisation. The output timing reference voltage level for single ended signals is the crosspoint with V_{TT} . The output timing reference voltage level for differential signals is the crosspoint of the true (e.g. DQS) and the complement (e.g. \overline{DQS}) signal.

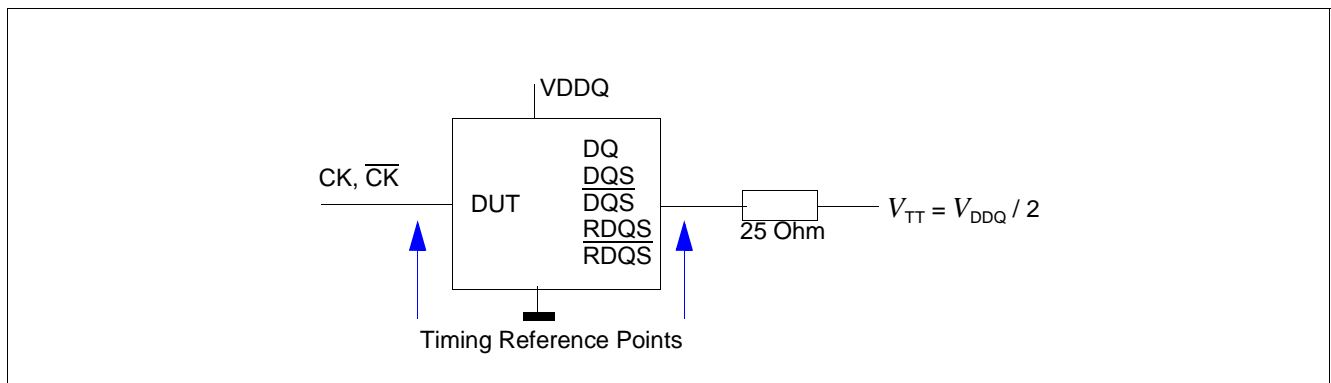


Figure 67 Reference Load for Timing Measurements

8.2 Slewrate Measurements

8.2.1 Output Slewrate

With the reference load for timing measurements output slew rate for falling and rising edges is measured between $V_{TT} - 250$ mV and $V_{TT} + 250$ mV for single ended signals.

For differential signals (e.g. DQS / \overline{DQS}) output slew rate is measured between $DQS - \overline{DQS} = 500$ mV and $DQS - \overline{DQS} = +500$ mV. Output slew rate is verified by design and characterisation, but not subject to production test.

8.2.2 Input Slewrate - Differential signals

Input slewrate for differential signals (CK / \overline{CK} , DQS / \overline{DQS} , RDQS / \overline{RDQS}) for rising edges are measured from f.e. $CK - \overline{CK} = -250$ mV to $CK - \overline{CK} = +500$ mV

and from $CK - \overline{CK} = +250$ mV to $CK - \overline{CK} = -500$ mV for falling edges.

8.2.3 Input Slewrate - Single ended signals

Input slew rate for single ended signals (other than t_{IS} , t_{IH} , t_{DS} and t_{DH}) are measured from dc-level to ac-level: $V_{REF} - 125$ mV to $V_{REF} + 250$ mV for rising edges and

from $V_{REF} + 125$ mV to $V_{REF} - 250$ mV for falling edges. For slew rate definition of the input and data setup and hold parameters see [Chapter 8.3](#) of this datasheet.

8.3 Input and Data Setup and Hold Time

8.3.1 Timing Definition for Input Setup (t_{IS}) and Hold Time (t_{IH})

Address and control input setup time (t_{IS}) is referenced from the input signal crossing at the $V_{IH(ac)}$ level for a rising signal and $V_{IL(ac)}$ for a falling signal applied to the device under test. Address and control input hold time

(t_{IH}) is referenced from the input signal crossing at the $V_{IL(dc)}$ level for a rising signal and $V_{IH(dc)}$ for a falling signal applied to the device under test.

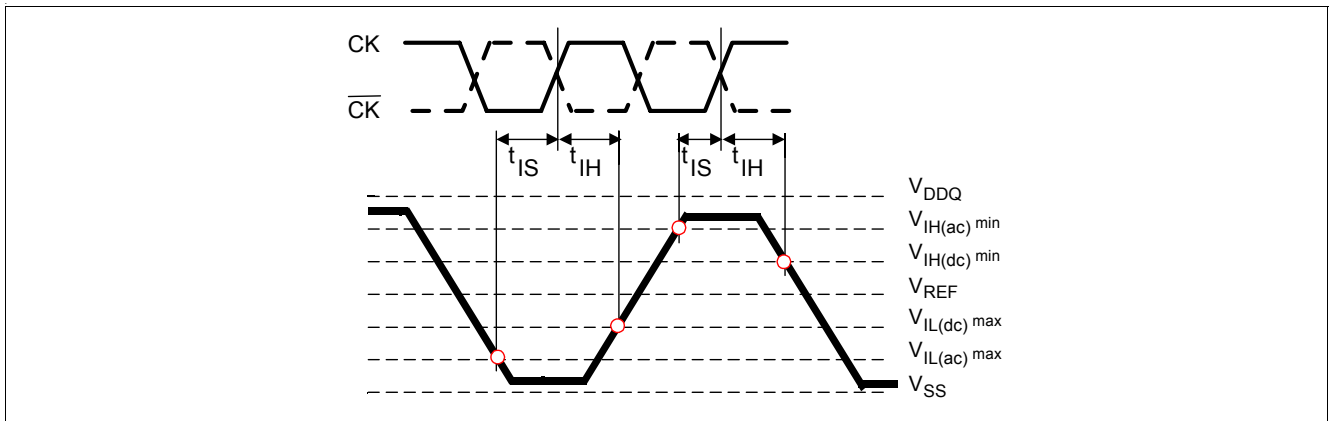


Figure 68 Input, setup and Hold Time Diagram

8.3.2 Timing Definition for Data Setup (t_{DS}) and Hold Time (t_{DH})

1. Data input setup time with differential data strobe enabled $MR[\text{bit}10]=0$, is referenced from the input signal crossing at the $V_{IH(ac)}$ level to the differential data strobe crosspoint for a rising signal, and from the input signal crossing at the $V_{IL(ac)}$ level to the differential data strobe crosspoint for a falling signal applied to the device under test. Input waveform timing with single-ended data strobe enabled $MR[\text{bit}10]=1$, is referenced from the input signal crossing at the $V_{IH(ac)}$ level to the data strobe crossing V_{REF} for a rising signal, and from the input signal crossing at the $V_{IL(ac)}$ level to the single-ended data strobe crossing V_{REF} for a falling signal applied to the device under test.
2. Data input hold time with differential data strobe enabled $MR[\text{bit}10]=0$, is referenced from the input signal crossing at the $V_{IL(dc)}$ level to the differential data strobe crosspoint for a rising signal and $V_{IH(dc)}$ to the differential data strobe crosspoint for a falling signal applied to the device under test. Input waveform timing with single-ended data strobe enabled $MR[\text{bit}10]=1$, is referenced from the input signal crossing at the $V_{IL(dc)}$ level to the single-ended data strobe crossing V_{REF} for a rising signal and $V_{IH(dc)}$ to the single-ended data strobe crossing V_{REF} for a falling signal applied to the device under test.

Reference Loads, Setup & Hold Timing Definition and Slew Rate Derating

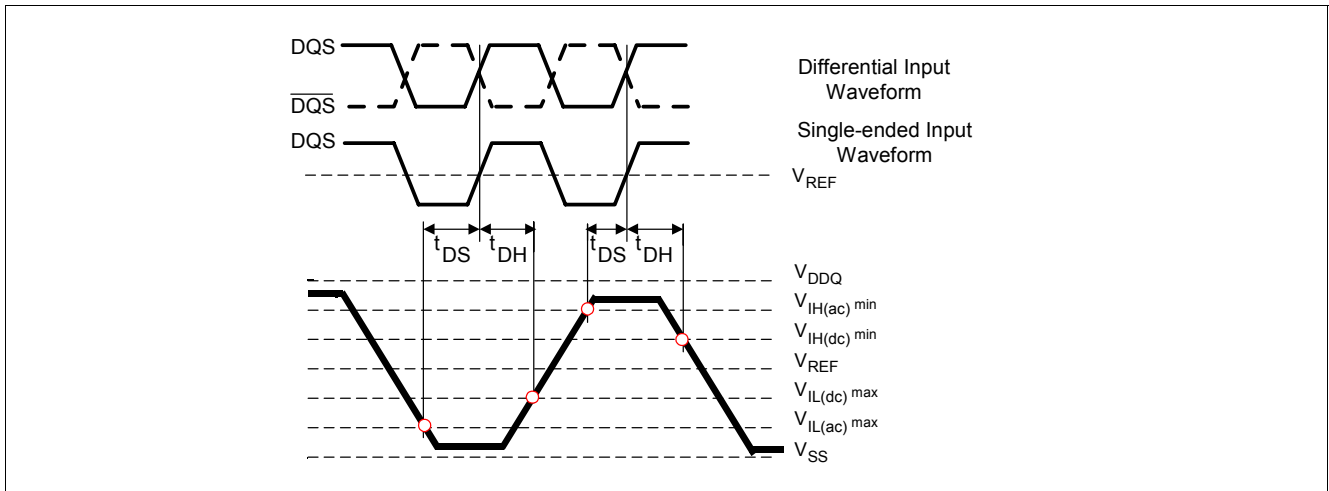


Figure 69 Data, Setup and Hold Time Diagram

8.3.3 Slew Rate Definition for Input and Data Setup and Hold Times

Setup (t_{DS}) nominal slew rate for a rising signal is defined as the slew rate between the last crossing of $V_{REF(dc)}$ and the first crossing of $V_{IH(ac)min}$. Setup (t_{DS}) nominal slew rate for a falling signal is defined as the slew rate between the last crossing of $V_{REF(dc)}$ and the first crossing of $V_{IL(ac)max}$. If the actual signal is always earlier than the nominal slew rate line between shaded ' $V_{REF(dc)}$ to ac region', use nominal slew rate for derating value. (Figure 70)

If the actual signal is later than the nominal slew rate line anywhere between shaded ' $V_{REF(dc)}$ to ac region', the slew rate of a tangent line to the actual signal from the ac level to dc level is used for derating value. (Figure 71)

Hold (t_{DH}) nominal slew rate for a rising signal is defined as the slew rate between the last crossing of $V_{IL(dc)max}$ and the first crossing of $V_{REF(dc)}$. Hold (t_{DH}) nominal slew rate for a falling signal is defined as the slew rate between the last crossing of $V_{IH(dc)min}$ and the first crossing of $V_{REF(dc)}$. If the actual signal is always later than the nominal slew rate line between shaded 'dc to $V_{REF(dc)}$ region', use nominal slew rate for derating value. (Figure 72)

If the actual signal is earlier than the nominal slew rate line anywhere between shaded 'dc to $V_{REF(dc)}$ region', the slew rate of a tangent line to the actual signal from the dc level to $V_{REF(dc)}$ level is used for derating value. (Figure 73)

Reference Loads, Setup & Hold Timing Definition and Slew Rate Derating

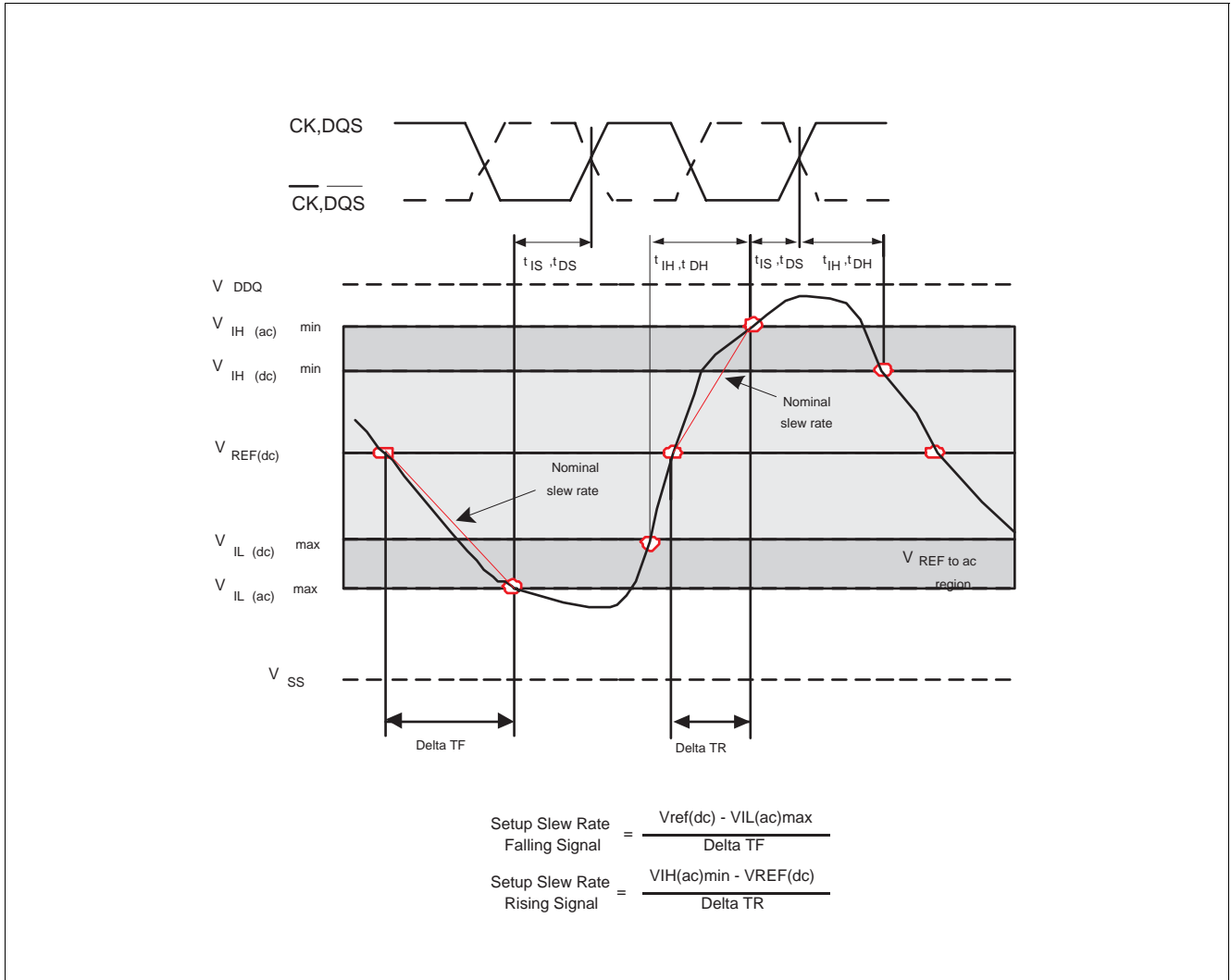


Figure 70 Slew Rate Definition Nominal Diagram for $t_{\text{IS}}(t_{\text{DS}})$

Note: DQS , \overline{DQS} signals must be monotonic between $V_{\text{IL}(\text{dc})\text{max}}$ and $V_{\text{IH}(\text{dc})\text{min}}$.

Reference Loads, Setup & Hold Timing Definition and Slew Rate Derating

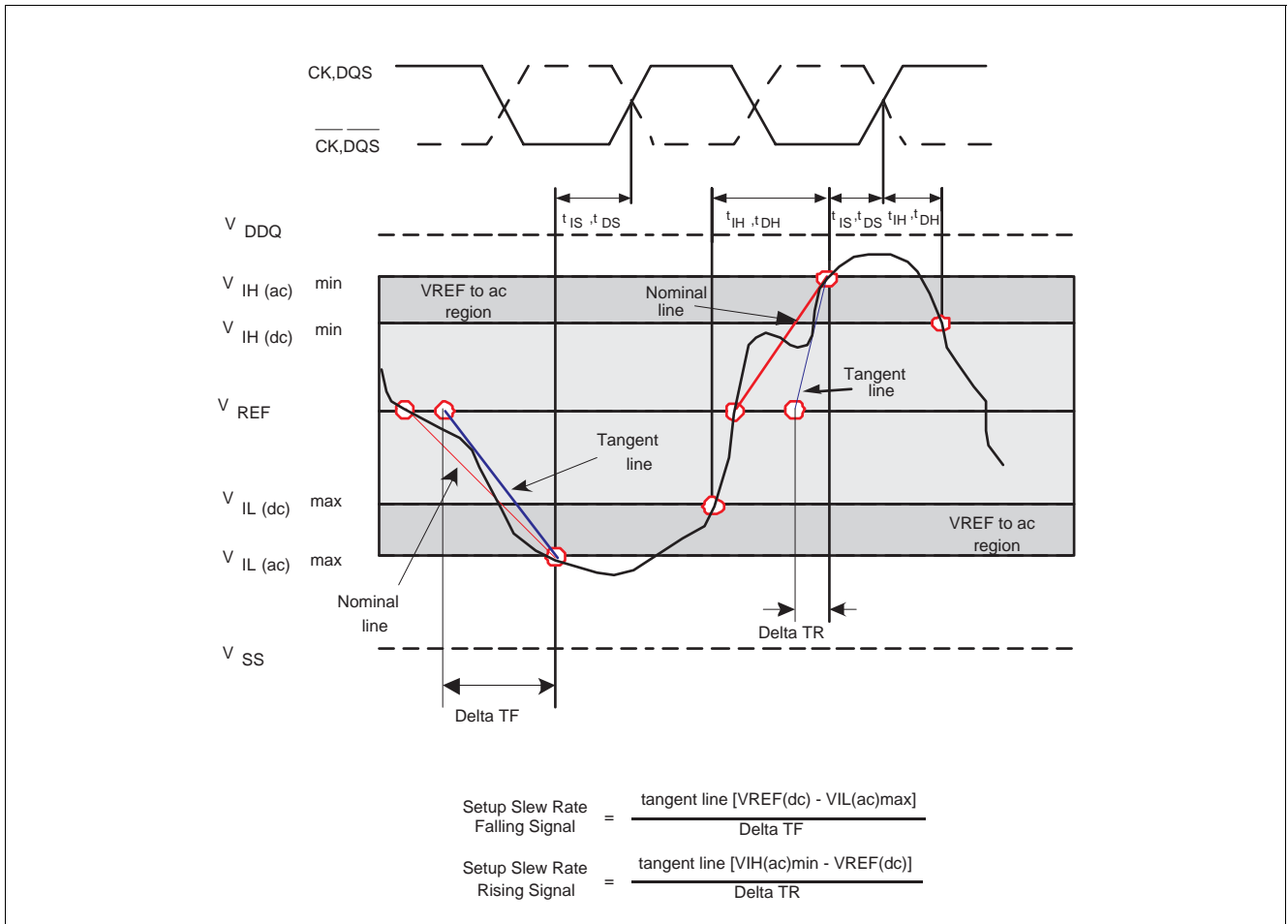


Figure 71 Slew Rate Definition Tangent Diagram for $t_{IS}(t_{DS})$

Note: DQS, \overline{DQS} signals must be monotonic between $V_{IL(dc)max}$ and $V_{IH(dc)min}$

Reference Loads, Setup & Hold Timing Definition and Slew Rate Derating

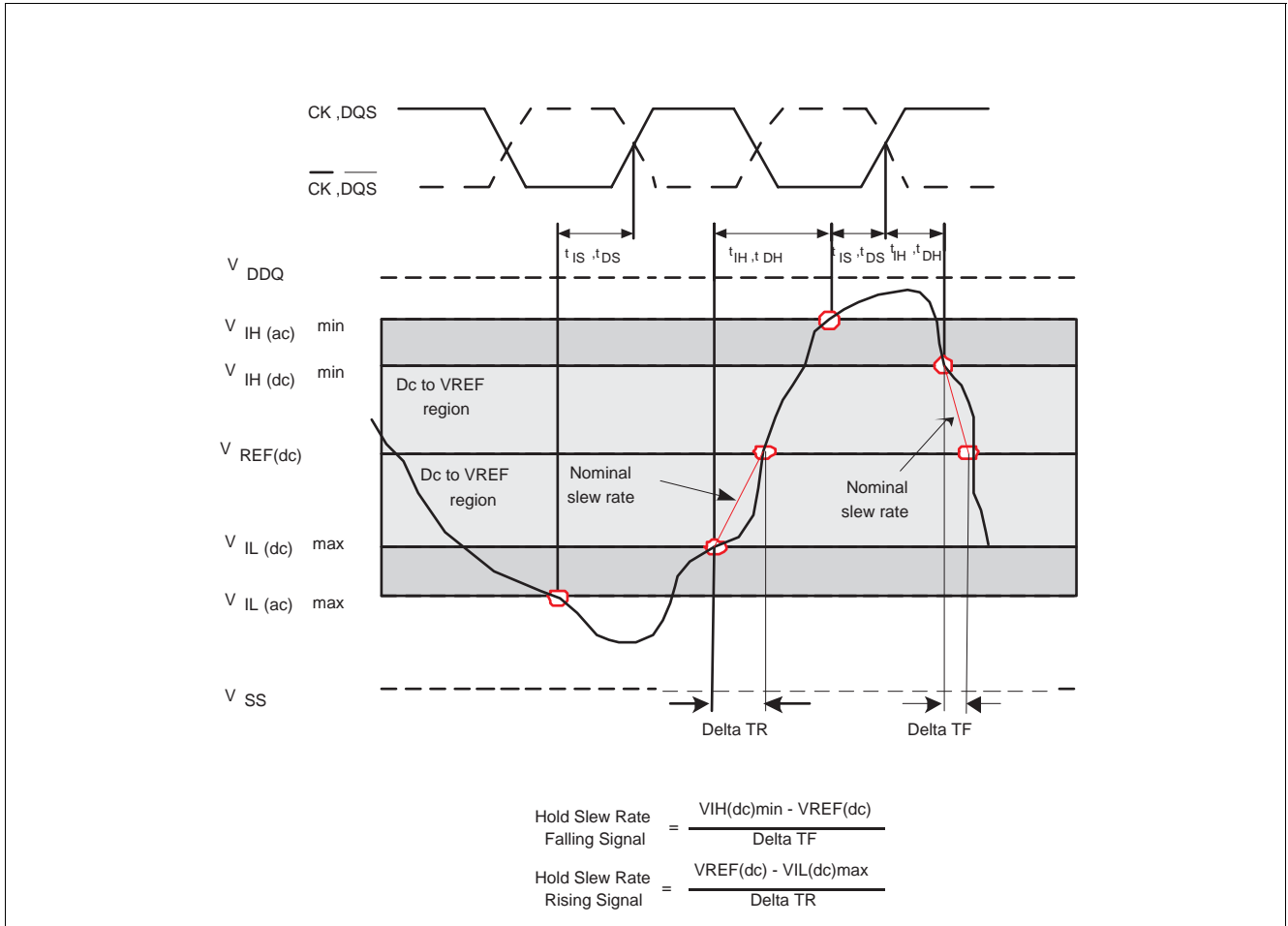


Figure 72 Slew Rate Definition Nominal Diagram for $t_{IH}(t_{DH})$

Note: DQS , \overline{DQS} signals must be monotonic between $V_{IL(dc)max}$ and $V_{IH(dc)min}$.

Reference Loads, Setup & Hold Timing Definition and Slew Rate Derating

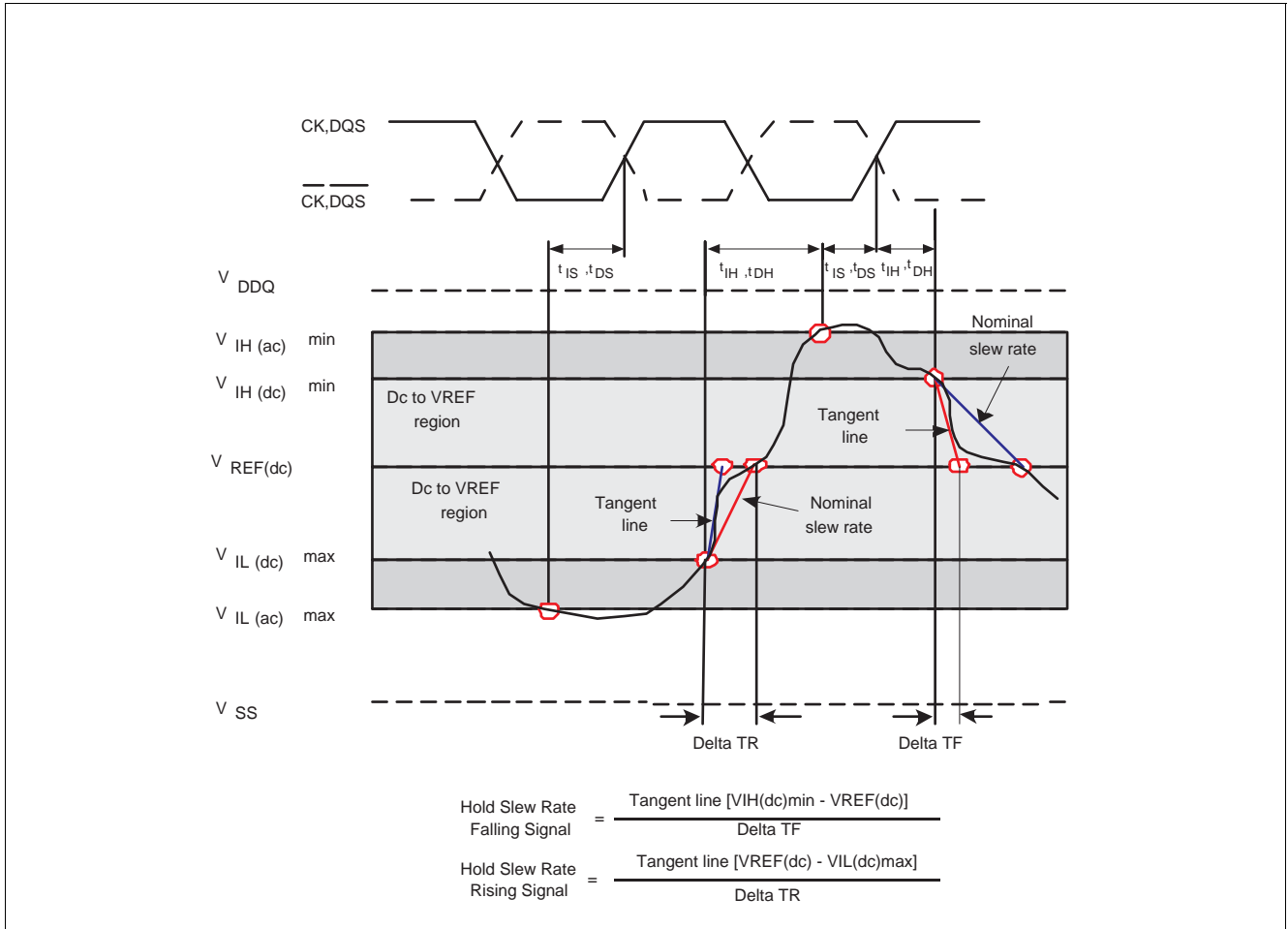


Figure 73 Slew Rate Definition Tangent Diagram for $t_{IH}(t_{DH})$

Note: DQS, \overline{DQS} signals must be monotonic between $V_{IL(dc)max}$ and $V_{IH(dc)min}$.

Reference Loads, Setup & Hold Timing Definition and Slew Rate Derating

Table 42 Input Setup (t_{IS}) and Hold (t_{IH}) Time Derating Table

Command / Address Slew rate (V/ns)	CK, \overline{CK} Differential Slew Rate						Units	Notes 1)
	2.0 V/ns		1.5 V/ns		1.0 V/ns			
	Δt_{IS}	Δt_{IH}	Δt_{IS}	Δt_{IH}	Δt_{IS}	Δt_{IH}		
4.0	187	94	217	124	247	154	ps	
3.5	179	89	209	119	239	149	ps	
3.0	167	83	197	113	227	143	ps	
2.5	150	75	180	105	210	135	ps	
2.0	125	45	155	75	185	105	ps	
1.5	83	21	113	51	143	81	ps	
1.0	0	0	30	30	60	60	ps	
0.9	-11	-14	19	16	49	46	ps	
0.8	-25	-31	5	-1	35	29	ps	
0.7	-43	-54	-13	-24	17	6	ps	
0.6	-67	-83	-37	-53	-7	-23	ps	
0.5	-110	-125	-80	-95	-50	-65	ps	
0.4	-175	-188	-145	-158	-115	-128	ps	
0.3	-285	-292	-255	-262	-225	-232	ps	
0.25	-350	-375	-320	-345	-290	-315	ps	
0.2	-525	-500	-495	-470	-465	-440	ps	
0.15	-800	-708	-770	-678	-740	-648	ps	
0.1	-1450	-1125	-1420	-1095	-1390	-1065	ps	

1) For all input signals the total t_{IS} (input setup time) and t_{IH} (input hold time) required is calculated by adding the individual value to the derating value listed in this table.

Reference Loads, Setup & Hold Timing Definition and Slew Rate Derating

Table 43 Data Setup (t_{DS}) and Hold Time (t_{DH}) Derating Table¹⁾²⁾

DQ Slewrate (V/ns)	DQS, \overline{DQS} Differential Slew Rate																	
	4.0 V/ns		3.0 V/ns		2.0 V/ns		1.8 V/ns		1.6 V/ns		1.4 V/ns		1.2 V/ns		1.0 V/ns		0.8 V/ns	
	Δt_{DS}	Δt_{DH}	Δt_{DS}	Δt_{DH}	Δt_{DS}	Δt_{DH}	Δt_{DS}	Δt_{DH}	Δt_{DS}	Δt_{DH}	Δt_{DS}	Δt_{DH}	Δt_{DS}	Δt_{DH}	Δt_{DS}	Δt_{DH}	Δt_{DS}	Δt_{DH}
2.0	125	45	125	45	125	45	—	—	—	—	—	—	—	—	—	—	—	—
1.5	83	21	83	21	83	21	95	33	—	—	—	—	—	—	—	—	—	—
1.0	0	0	0	0	0	0	12	12	24	24	—	—	—	—	—	—	—	—
0.9	—	—	-11	-14	-11	-14	1	-2	13	10	25	22	—	—	—	—	—	—
0.8	—	—	—	—	-25	-31	-13	-19	-1	-7	11	5	23	17	—	—	—	—
0.7	—	—	—	—	—	—	-31	-42	-19	-30	-7	-18	5	-6	17	6	—	—
0.6	—	—	—	—	—	—	—	—	-43	-49	-31	-47	-19	-35	-7	-23	5	-11
0.5	—	—	—	—	—	—	—	—	—	—	-74	-89	-62	-77	-50	-65	-38	-53
0.4	—	—	—	—	—	—	—	—	—	—	—	—	-127	-140	-115	-128	-103	-116

- 1) All units in ps.
- 2) For all input signals the total t_{DS} (setup time) and t_{DH} (hold time) required is calculated by adding the individual datasheet value to the derating value listed in this table.

8.4 Overshoot and Undershoot Specification

Table 44 AC Overshoot / Undershoot Specification for Address and Control Pins

Parameter	DDR2-400	DDR2-533	Units
Maximum peak amplitude allowed for overshoot area	0.9	0.9	V
Maximum peak amplitude allowed for undershoot area	0.9	0.9	V
Maximum overshoot area above V_{DD}	0.75	0.56	V.ns
Maximum undershoot area below V_{SS}	0.75	0.56	V.ns

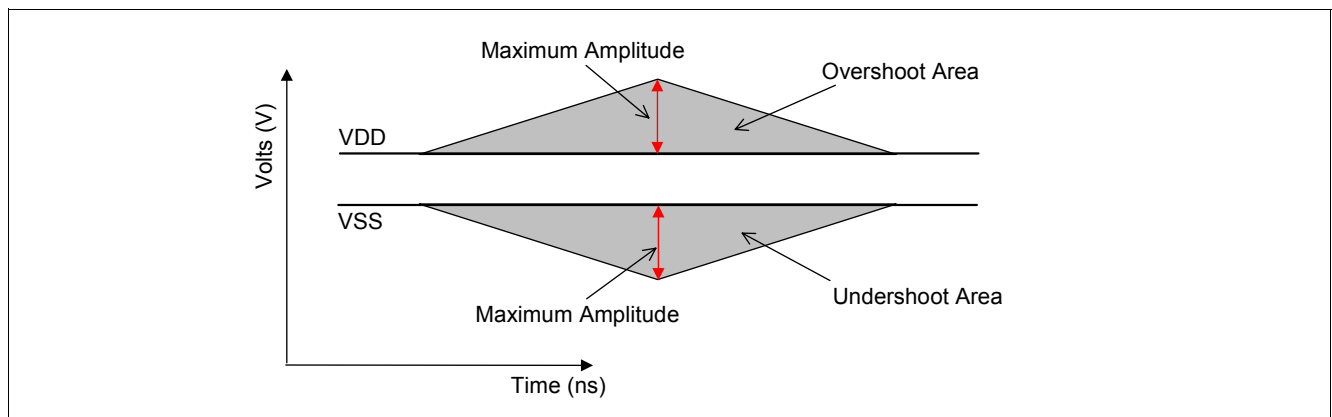


Figure 74 AC Overshoot / Undershoot Diagram for Address and Control Pins

Reference Loads, Setup & Hold Timing Definition and Slew Rate Derating

Table 45 AC Overshoot / Undershoot Specification for Clock, Data, Strobe and Mask Pins

Parameter	DDR2-400	DDR2-533	Units
Maximum peak amplitude allowed for overshoot area	0.9	0.9	V
Maximum peak amplitude allowed for undershoot area	0.9	0.9	V
Maximum overshoot area above V_{DDQ}	0.38	0.28	V.ns
Maximum undershoot area below V_{SSQ}	0.38	0.28	V.ns

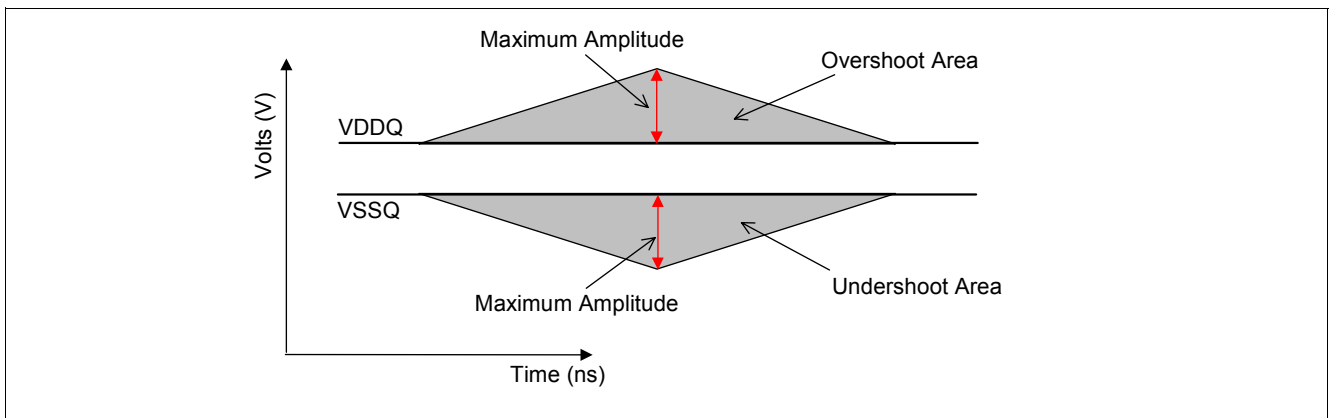


Figure 75 AC Overshoot / Undershoot Diagram for Clock, Data, Strobe and Mask Pins

9 Package Dimensions

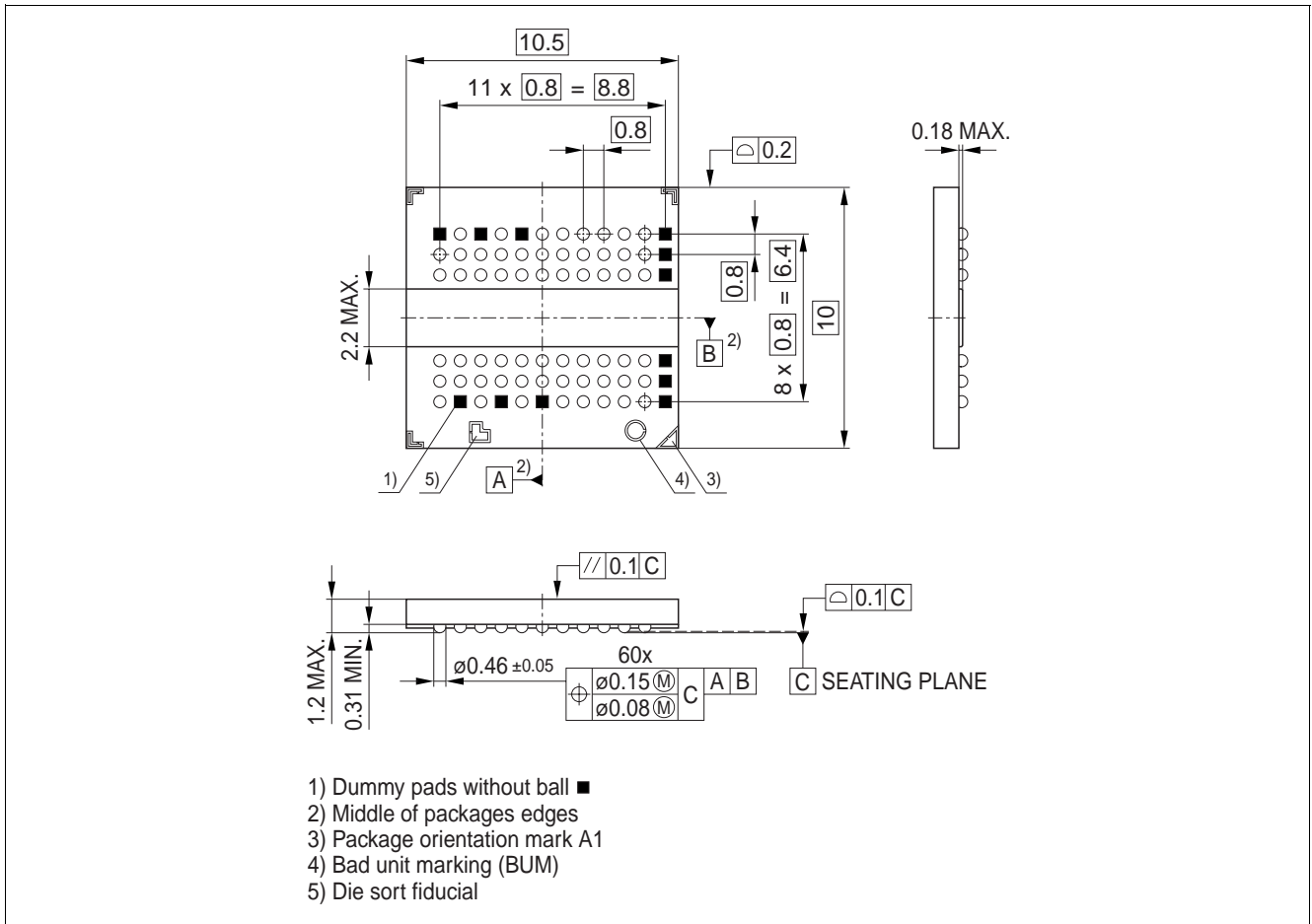


Figure 76 Package Pinout P-TFBGA-60-6 (top view)

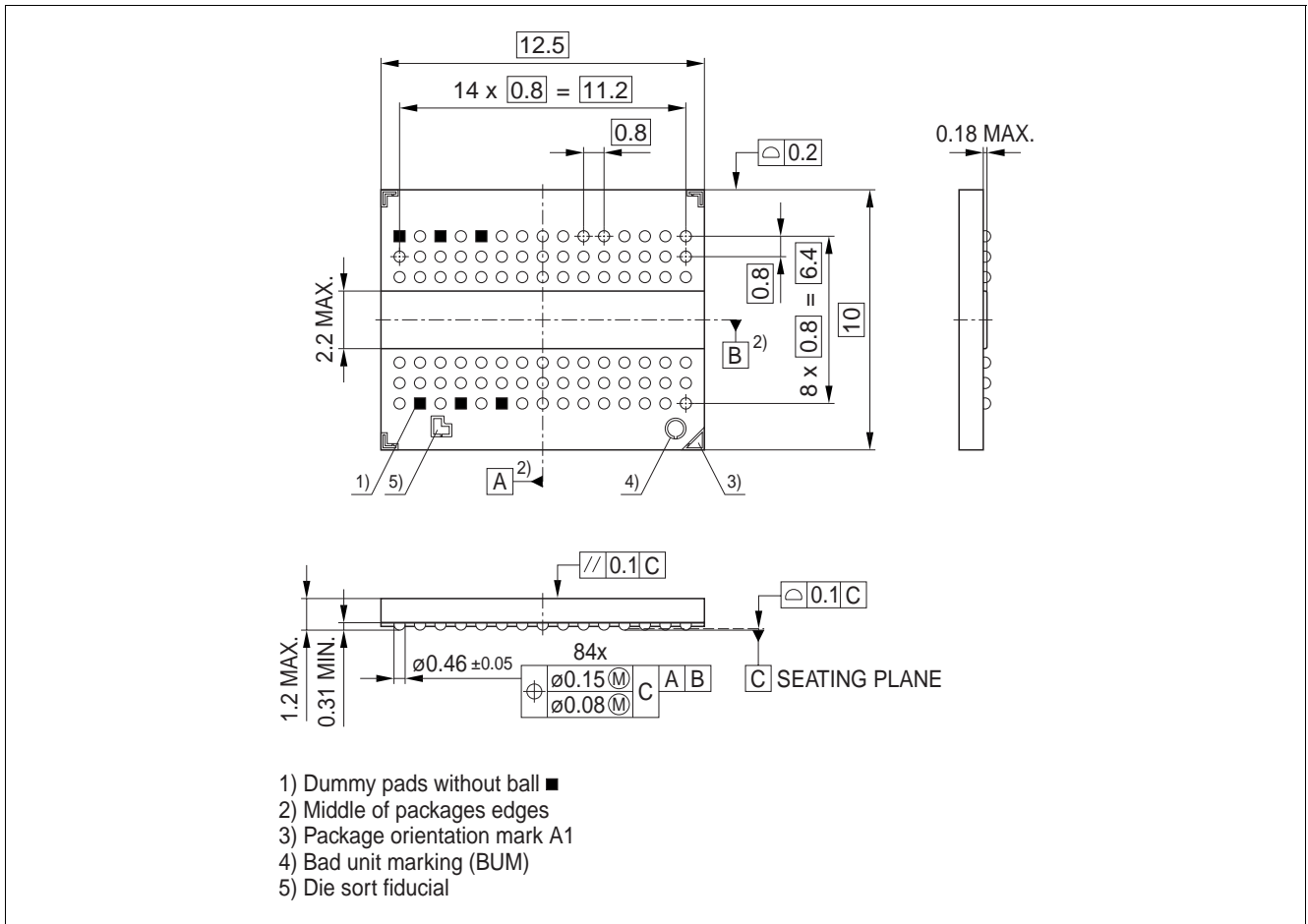


Figure 77 Package Pinout P-TFBGA-84-1 (top view)

10 DDR2 Component Nomenclature

Table 46 Nomenclature Fields and Examples

Example for	Field Number										
	1	2	3	4	5	6	7	8	9	10	11
DDR2 DRAM	HYB	18	T	512	16		0	A	C	–5	

Table 47 DDR2 DRAM Nomenclature

Field	Description	Values	Coding
1	INFINEON Component Prefix	HYB	Constant
2	Interface Voltage [V]	18	SSTL1.8
3	DRAM Technology	T	DDR2
4	Component Density [Mbit]	256	256 Mbit
		512	512 Mbit
		1G	1 Gbit
		2G	2 Gbit
5+6	Number of I/Os	40	×4
		80	×8
		16	×16
7	Product Variations	0 .. 9	look up table
8	Die Revision	A	First
		B	Second
9	Package, Lead-Free Status	C	FBGA, lead-containing
		F	FBGA, lead-free
10	Speed Grade	–3.7	DDR2-533
		–5	DDR2-400
11	N/A for Components		

www.infineon.com

Published by Infineon Technologies AG