

**Super Compact, 13mm (1/2 Inch) Diameter, 9-stage, Side-on Type  
R3810: Sb-Cs (185 to 650nm), R3811: Multialkali (185 to 850nm)**

### FEATURES

- **Super Compact:** 13mm (1/2 inch) diameter  
17mm seated length
- **High Sensitivity**
- **Low Dark Current**

### APPLICATIONS

- **General Industrial Use**
- **Exposuremeter for Microscope**
- **Environmental Measurements**
  - Dust Counter
  - Turbidimeter, etc.
- **Emission Spectroscopy**
  - Fluorescence Spectrophotometer, etc.



Recently, because of technology progress and requirements for cost reduction and high quality control, measurement systems have been designed for smaller size and on-line operation.

Hamamatsu offers super-compact 13mm (1/2 inch) diameter side-on photomultiplier tubes with the seated length as short as 17mm.

In spite of such compactness, these tubes have a 9-stage dynode that offers high gain in the order of  $10^6$ .

They are optimal for applications where small detectors are required such a spectroscopy, biotechnology, medicine and general industries.

# SUPER COMPACT PHOTOMULTIPLIER TUBES R3810, R3811

## SPECIFICATIONS

### GENERAL

Parameter		R3810	R3811	Unit
Spectral Response		185 to 650	185 to 850	nm
Wavelength of Maximum Response		340	530	nm
Photocathode	Material	Sb-Cs	Multialkali	—
	Minimum Effective Area	3 × 4		mm
Window Material		UV glass		—
Dynode	Structure	Circular-cage		—
	Number of Stages	9		—
Direct Interelectrode Capacitances	Anode to Last Dynode	1.7		pF (Max.)
	Anode to All Other Electrodes	2.0		pF (Max.)
Base		11-pin glass base		—
Weight		3		g
Suitable Socket		E678-11H (supplied)		—
Suitable Socket Assemblies		E850-12, E850-13 (option)		—

### MAXIMUM RATINGS (Absolute Maximum Values)

Parameter		Value	Unit
Supply Voltage	Between Anode and Cathode	1250	Vdc
	Between Anode and Last Dynode	150	Vdc
Average Anode Current		0.01	mA
Ambient Temperature		-80 to +50	°C

### CHARACTERISTICS (at 25°C)

Parameter		R3810			R3811			Unit	
		Min.	Typ.	Max.	Min.	Typ.	Max.		
Cathode Sensitivity	Luminous (2856K)	20	40	—	50	150	—	μA/lm	
	Radiant	at 400nm	—	42	—	—	34	—	mA/W
		at 633nm	—	1.5	—	—	31	—	
	Quantum Efficiency	at 400nm	—	13	—	—	10	—	%
		at 633nm	—	0.29	—	—	6.1	—	
Red/White Ratio (R-68)		—	—	—	—	0.15	—	—	
Anode Sensitivity	Luminous (2856K)	50	300	—	50	200	—	A/lm	
	Radiant	at 400nm	—	$3.2 \times 10^5$	—	—	$4.4 \times 10^4$	—	A/W
		at 633nm	—	$1.1 \times 10^4$	—	—	$4.0 \times 10^4$	—	
Gain		—	$7.5 \times 10^6$	—	—	$1.3 \times 10^6$	—	—	
Anode Dark Current *		—	0.5	5	—	1	10	nA	
Time Response	Anode Pulse Rise Time	—	1.4	—	—	1.4	—	ns	
	Electron Transit Time	—	15	—	—	15	—	ns	
	Transit Time Spread	—	750	—	—	750	—	ps	

\* After 30min. storage in darkness

### VOLTAGE DISTRIBUTION RATIO AND SUPPLY VOLTAGE

Electrodes	K	Dy1	Dy2	Dy3	Dy4	Dy5	Dy6	Dy7	Dy8	Dy9	P
Ratio	1	1	1	1	1	1	1	1	1	1	1

Supply Voltage: 1000Vdc, K: Cathode, Dy: Dynode, P: Anode

Figure 1: Typical Spectral Response

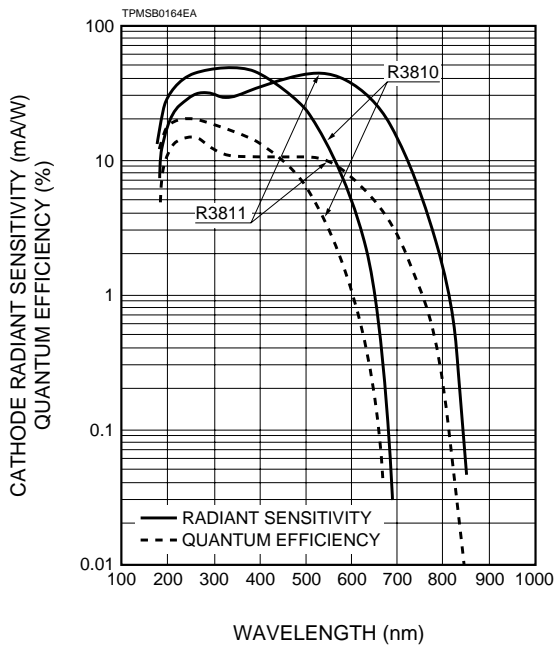
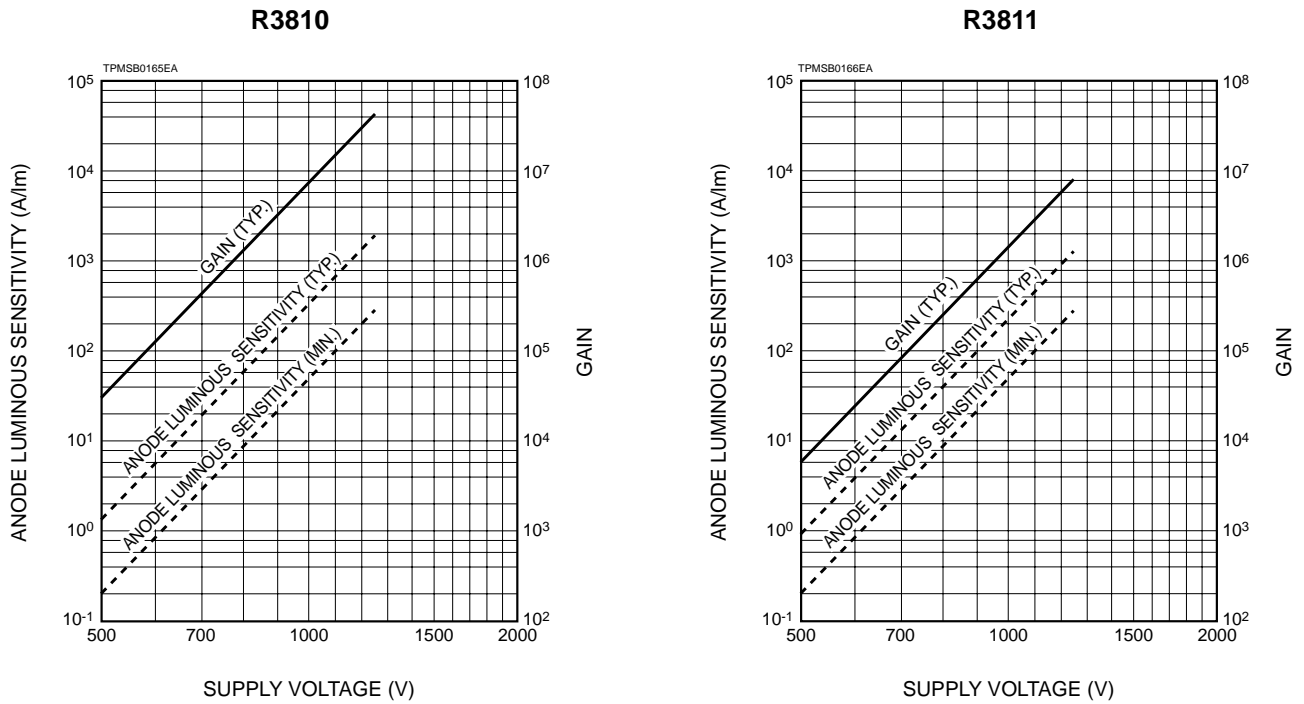
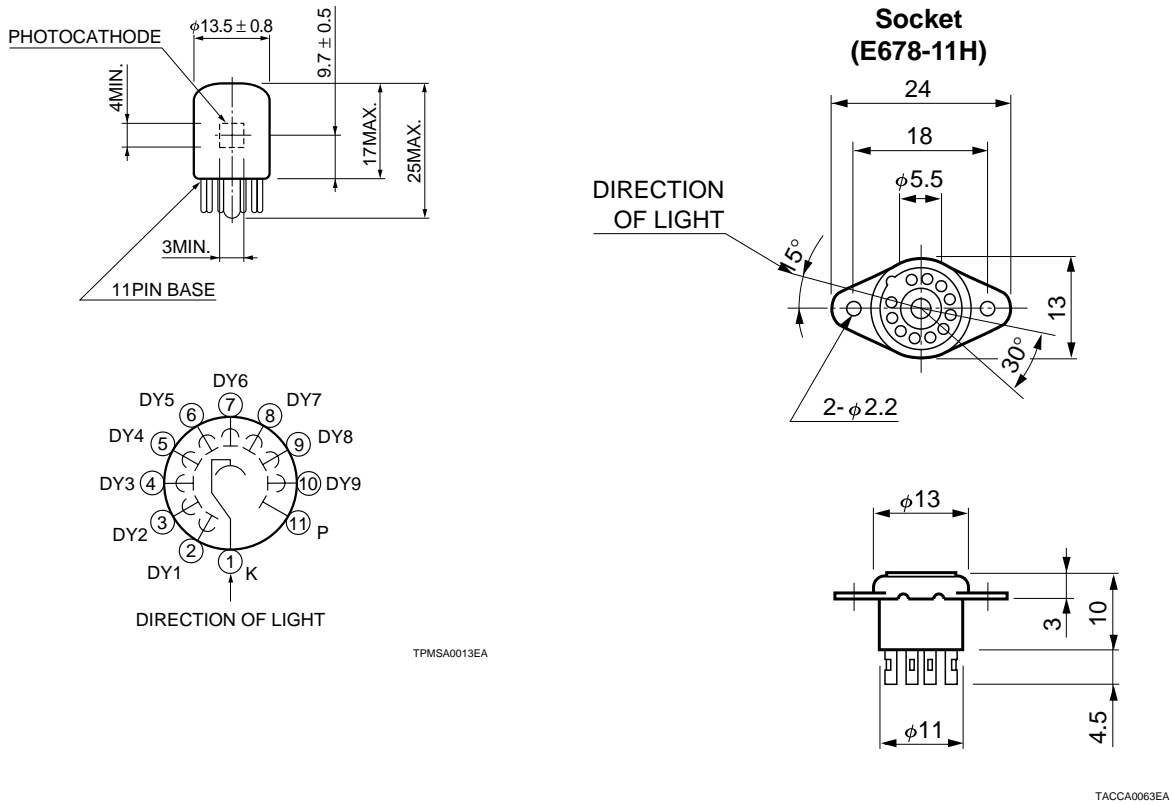


Figure 2: Typical Anode Luminous Sensitivity and Gain Characteristics



# SUPER COMPACT PHOTOMULTIPLIER TUBES R3810, R3811

Figure 3: Dimensional Outline and Basing Diagram (Unit: mm)



## HAMAMATSU

HAMAMATSU PHOTONICS K.K., Electron Tube Center

314-5, Shimokanzo, Toyooka-village, Iwata-gun, Shizuoka-ken, 438-0193, Japan, Telephone: (81)539/62-5248, Fax: (81)539/62-2205

U.S.A.: Hamamatsu Corporation: 360 Foothill Road, Bridgewater, N.J. 08807-0910, U.S.A., Telephone: (1)908-231-0960, Fax: (1)908-231-1218

Germany: Hamamatsu Photonics Deutschland GmbH: Arzbergerstr. 10, D-82211 Herrsching am Ammersee, Germany, Telephone: (49)8152-375-0, Fax: (49)8152-2658

France: Hamamatsu Photonics France S.A.R.L.: 8, Rue du Saule Trapu, Parc du Moulin de Massy, 91882 Massy Cedex, France, Telephone: (33)1 69 53 71 00, Fax: (33)1 69 53 71 10

United Kingdom: Hamamatsu Photonics UK Limited: Lough Point, 2 Gladbeck Way, Windmill Hill, Enfield, Middlesex EN2 7JA, United Kingdom, Telephone: (44)181-367-3560, Fax: (44)181-367-6384

North Europe: Hamamatsu Photonics Norden AB: Färögatan 7, S-164-40 Kista Sweden, Telephone: (46)8-703-29-50, Fax: (46)8-750-58-95

Italy: Hamamatsu Photonics Italia: S.R.L.: Via Della Moia, 1/E, 20020 Arese, (Milano), Italy, Telephone: (39)2-935 81 733, Fax: (39)2-935 81 741

TPMS1048E01  
JUN. 1998 SI  
Printed in Japan (500)