

Gold Bonded

1N277

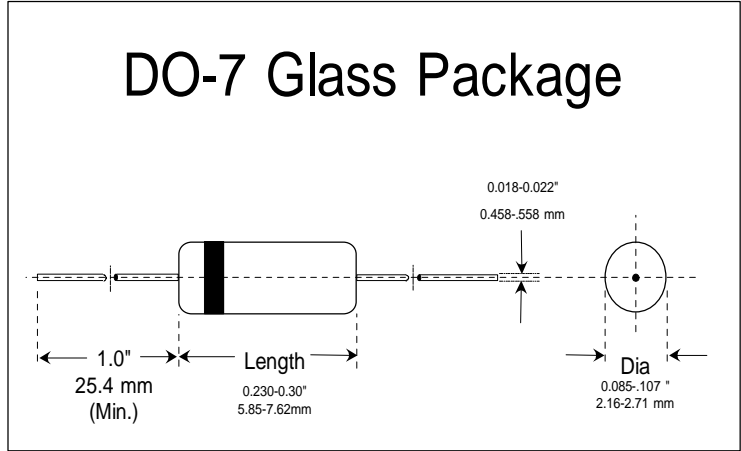
Germanium Diodes

Optimized for Radio Frequency Response

Can be used in many AM, FM and TV-IF applications, replacing point contact devices.

Applications

- AM/FM detectors
- Ratio detectors
- FM discriminators
- TV audio detectors
- RF input probes
- TV video detectors



Features

- Lower leakage current
- Flat junction capacitance
- High mechanical strength
- At least 1 million hours MTBF
- BKC's Sigma-Bond™ plating for problem free solderability

Absolute Maximum Ratings at T_{amb} = 25 °C

Parameter	Symbols	Min.	Max.	Units
Peak Inverse Voltage	PIV	**	110	Volts
Breakdown Voltage @ I _R = 1.0 mA	V _{BR}	110		Volts
Surge Current, t = 1 Second	I _{FSM}		0.5	Amps
Peak Operating Current	I _{OS}		270	mA
Average Rectified Forward Current	I _O		75	mA
Operating and Storage Temperatures	T _{J & STG}	-65	+90	°C

Electrical Characteristics at T_{amb} = 25 °C

Parameter	Test Conditions	Symbols	Min.	Typ.	Max.	Units
Forward Voltage Drop	I _F = 100 mA	V _F			1.00	Volts
Reverse Leakage	V _R = 10 Volts, T _{amb} = 75 °C	I _R	**		75	µA
Reverse Leakage	V _R = 50 Volts, T _{amb} = 75 °C	I _R		**	250	µA
Breakdown Voltage @ I _R = 1.0 mA		PIV	110			Volts
Junction Capacitance	f = 1MHz, V _R = 0 volt	C _J		0.8		pF



6 Lake Street - Lawrence, MA 01841

Tel: 978-681-0392 - Fax: 978-681-9135