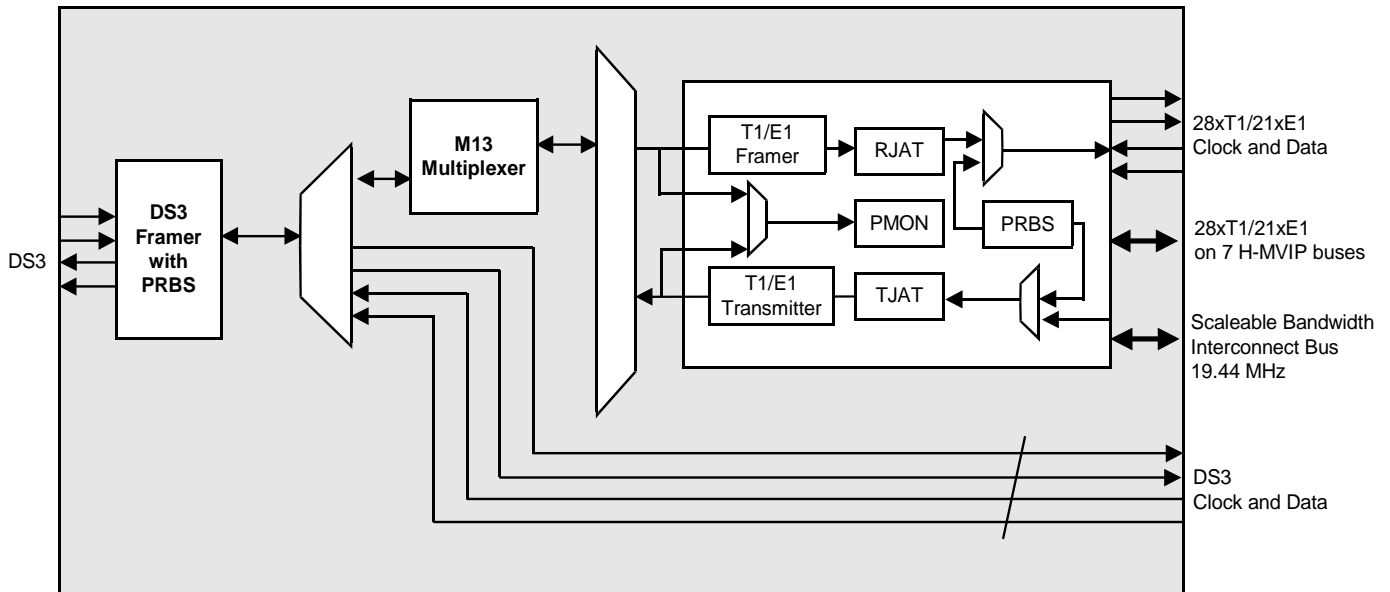


**High Density T1/E1 Framer with Integrated M13 Multiplexer**

**FEATURES**

- Integrates 28 T1 framers, 21 E1 framers and a full featured M13 multiplexer with DS3 framer in a single monolithic device for terminating DS3 multiplexed T1 or E1 streams.
- Four fundamental modes of operation:
  - Up to 28 T1 streams M13 multiplexed into a serial DS3.
  - Up to 21 E1 streams multiplexed into a DS3 following the ITU-T G.747 recommendation (using the serial clock and data or H-MVIP system interfaces).
  - DS3 M13 Multiplexer with ingress or egress per link monitoring.
  - Unchannelized DS3 framer mode for access to the entire DS3 payload.
- Supports transfer of PCM data to/from 1.544 MHz and 2.048 MHz serial interface system-side devices. Also supports a fractional T1 or E1 system interface with independent ingress/egress Nx64 Kbps rates. Supports a 2.048 MHz system-side interface for T1 mode without external clock gapping.
- Supports 8 Mbps H-MVIP on the system interface for all T1 or E1 links, a separate 8 Mbps H-MVIP system interface for all T1 or E1 CAS channels and a separate 8 Mbps H-MVIP system interface for all T1 or E1 CCS and V5.1/V5.2 channels.
- Supports a byte serial Scaleable Bandwidth Interconnect (SBI) bus interface for high density system side device interconnection of up to 84 T1 streams or 3 DS3 streams.
- Provides jitter attenuation in the T1 or E1 receive and transmit directions.
- Provides two independent de-jittered T1 or E1 recovered clocks for system timing and redundancy.
- Provides per-DS0 line loopback and per link diagnostic and line loopbacks.
- Provides an on-board programmable binary sequence generator and detector for error testing at DS3 rates. Includes support for patterns recommended in ITU-T O.151.
- Also provides PRBS generators and detectors on each tributary for error testing at DS1, E1 and NxDS0 rates as recommended in ITU-T O.151 and O.152.
- Provides robbed bit signaling extraction and insertion on a per-DS0 basis.
- Provides programmable idle code substitution, data and sign inversion, and digital milliwatt code insertion on a per-DS0 basis.
- Supports the M23 and C-bit parity DS3 formats.
- Standalone unchannelized DS3 framer mode for access to the entire DS3 payload.
- When configured to operate as a DS3 Framer, gapped transmit and receive clocks can be optionally generated for interface to link layer devices which only need access to payload data bits.
- DS3 Transmit clock source can be selected from either an external oscillator or from the receive side clock (loop-timed).
- Register level compatibility with the PM4388 TOCTL Octal T1 Framer, the PM6388 EOCTL Octal E1 Framer, the PM4351 COMET E1/T1 transceiver and the PM8313 D3MX M13 Multiplexer/Demultiplexer.

**BLOCK DIAGRAM**



**High Density T1/E1 Framer with Integrated M13 Multiplexer**

- Provides a generic 8-bit microprocessor bus interface for configuration, control and status monitoring.
- Provides a standard 5 signal P1149.1 JTAG test port for boundary scan board test purposes.

**PACKAGE**

- 324-pin fine pitch PBGA package (23 mm x 23 mm).
- Supports industrial temperature range (-40 °C to 85 °C) operation.

- High density E1 interfaces for multiplexers, multi-service switches, routers and digital modems.
- Frame Relay switches and access devices (FRADS).
- M23 Based M13 Multiplexer.
- C-Bit Parity Based M13 Multiplexer.
- Channelized and Unchannelized DS3 Frame Relay Interfaces.

**VOLTAGE**

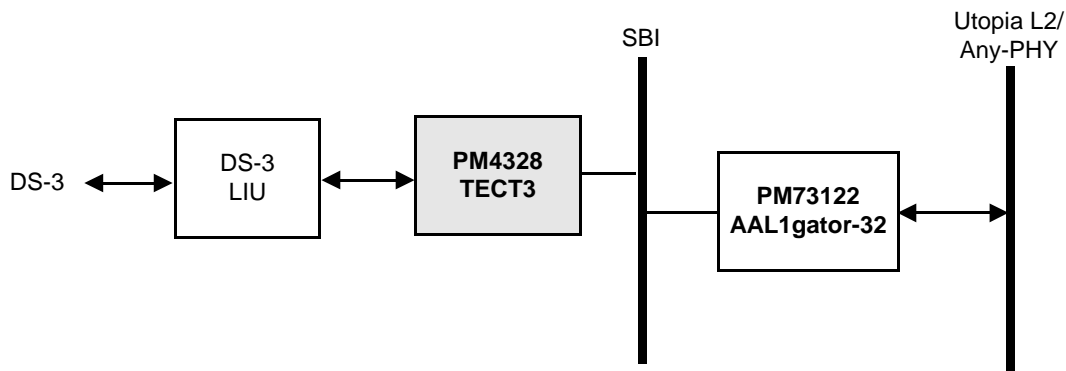
- Low power 2.5 V/3.3 V CMOS technology. All pins are 5 V tolerant.

**APPLICATIONS**

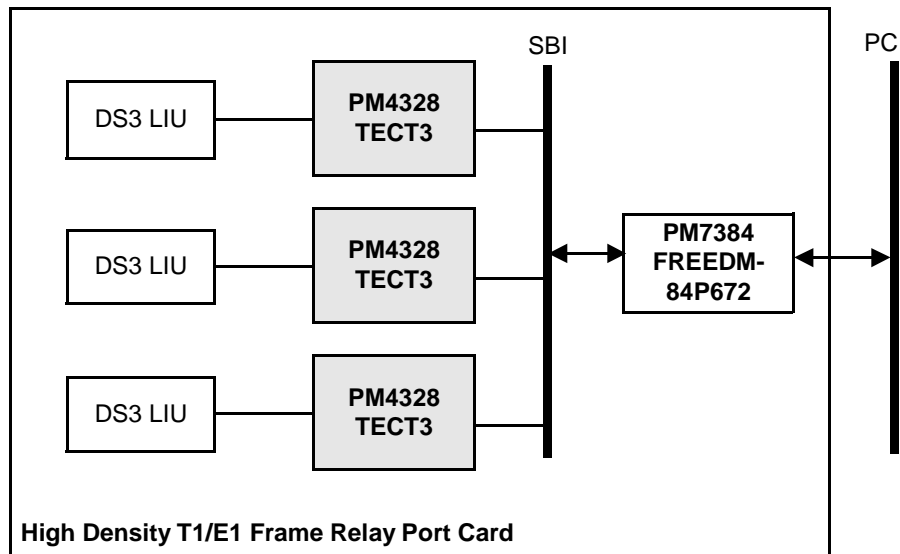
- High density T1 interfaces for multiplexers, multi-service switches, routers and digital modems.

**TYPICAL APPLICATIONS**

**CHANNELIZED DS3 CIRCUIT EMULATION APPLICATION**



**HIGH DENSITY FRAME RELAY APPLICATION**



Head Office:  
 PMC-Sierra, Inc.  
 8555 Baxter Place  
 Burnaby, B.C. V5A 4V7  
 Canada  
 Tel: 604.415.6000  
 Fax: 604.415.6200

To order documentation,  
 send email to:  
 document@pmc-sierra.com  
 or contact the head office,  
 Attn: Document Coordinator

All product documentation is available  
 on our web site at:  
 http://www.pmc-sierra.com  
 For corporate information,  
 send email to:  
 info@pmc-sierra.com

PMC-2011654 (r1)  
 © Copyright PMC-Sierra, Inc. 2001. All  
 rights reserved. August 2001  
 AAL1gator-II, ANY-PHY, SBI,  
 TECT3, and PMC-Sierra are trademarks  
 of PMC-Sierra, Inc.