

### Stacked coin Type

Series: NF

Country of Origin

■ Feature

Endurance : 70°C 1000 h

Japan



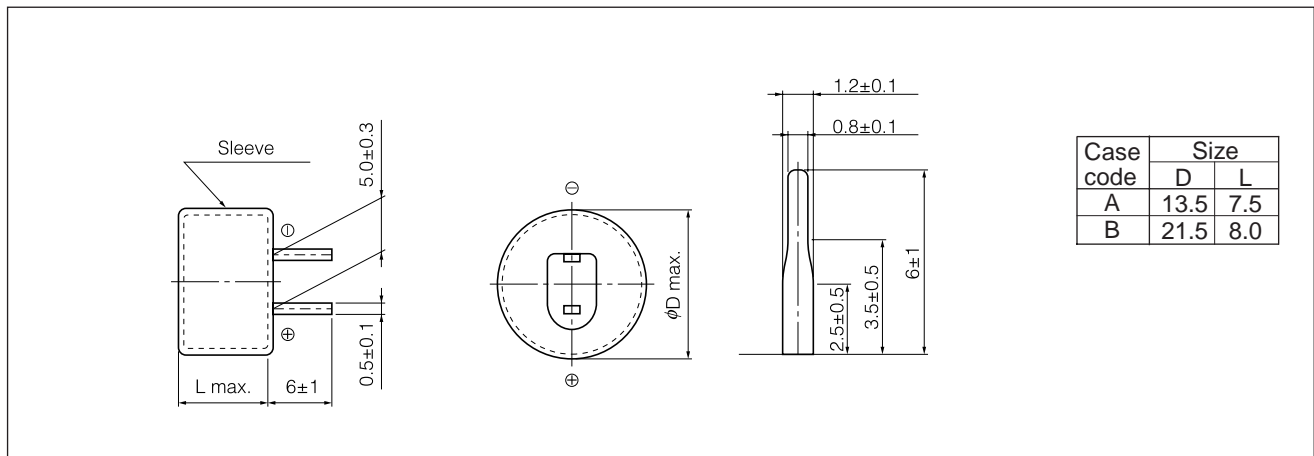
■ Recommended Applications

Memory back-up for Video, Audio, Camera, Telephones, Printer, Date terminal, Rice cooker and intelligent remote controller

■ Specifications

Category temp. range	-25 to +70°C	
Maximum Operating Voltage	5.5 V .DC	
Nominal Cap. Range	0.1 to 1.5 F	
Characteristics at Low Temperature	Capacitance change	±30% of initial measured value at +20°C (-25 to +70°C)
	Internal resistance	≤ 5 times of initial measured value at +20°C (at -25°C)
Endurance	After 1000 hours application of 5.5V. DC at +70°C, the capacitor shall meet the following limits.	
	Capacitance change	±30% of initial measured value
	Internal resistance	≤ 4 time of initial specified value
Shelf Life	After 1000 hours storage at +70°C without load, the capacitor shall meet the specified limits for Endurance.	
Moisture Resistance	After 500 hours storage at +55°C, 90 to 95% R.H., the capacitor shall meet the specified limits for "Endurance".	

■ Dimensions in mm (not to scale)



■ Standard products

Maximum Operating Voltage (V.DC)	Capacitance (F)	Capacitance range (F)	internal resistance (Ω) at 1kHz	Case code	Part number	Min. Packaging QTY.	
						Quantity per box (pcs)	Quantity per outer packaging (pcs)
5.5	0.10	0.08 to 0.18	≤ 75	A	EECF5R5U104	200	2000
	0.22	0.176 to 0.396	≤ 75	A	EECF5R5U224	200	2000
	0.47	0.376 to 1.410	≤ 30	B	EECF5R5U474	100	500
	1.0	0.80 to 1.80	≤ 30	B	EECF5R5U105	100	500
	1.5	1.20 to 2.70	≤ 30	B	EECF5R5U155	100	500

Note: It is not allowed to go through reflow (IR, Atmosphere heating methods etc.) process.