

---

**MSM6685**

---

**8,388,608-Word x 1-Bit Serial Register**

---

**GENERAL DESCRIPTION**

The MSM6685 is a serial register composed of 8,388,608 words x one bit, characterized by medium-speed, low power consumption operation.

This device has a built-in internal address generation circuit allowing continuous serial read/write operation by external clock input. Read/write operation causes the internal address to be incremented automatically by +1.

External address input enables addressing in units of 1024 words. Furthermore, a refresh timer and a refresh address counter are installed, which makes an external refresh circuit unnecessary. In addition, this configuration allows lower power consumption.

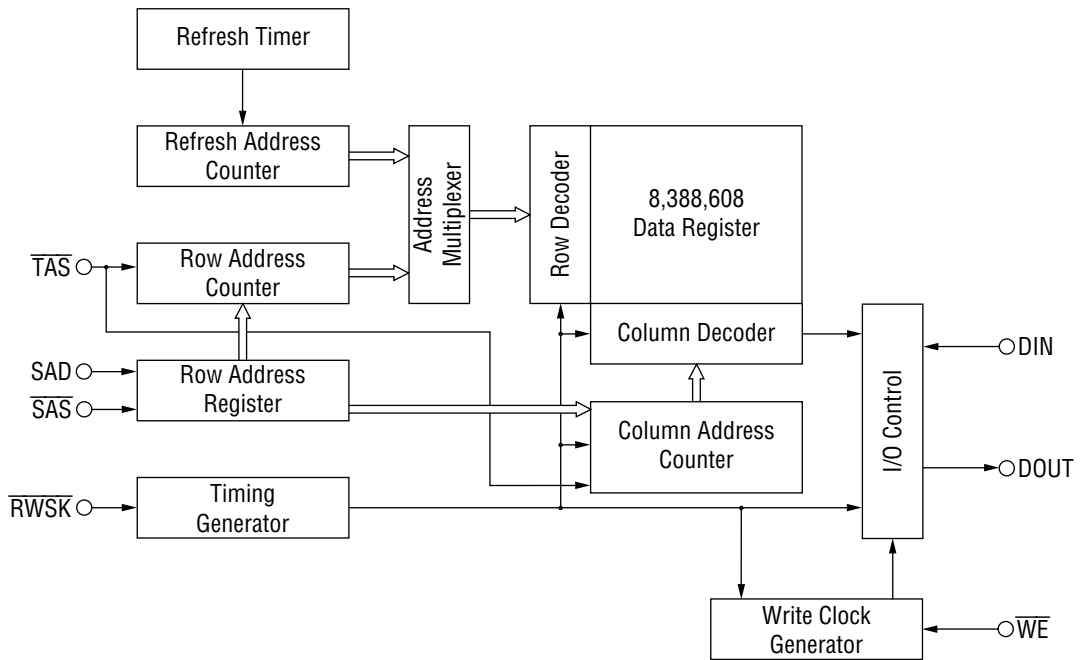
The device is packaged in 26-pin SOJ having a width of 300 mil.

It is well adapted for storing much data by means of a battery backup. Its combination with OKI's recording and playback IC enables the easy implementation of a solid recording and playback system.

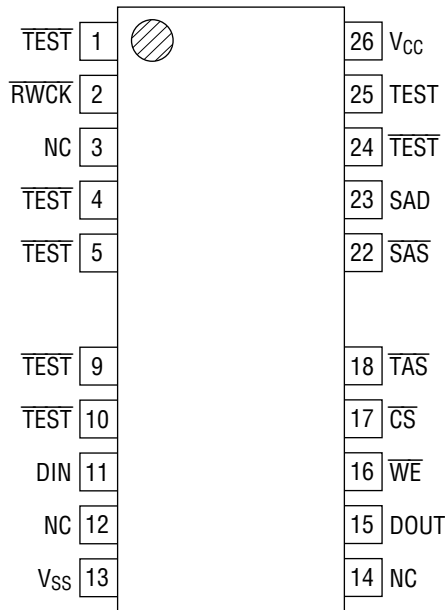
**FEATURES**

- Configuration : 8,388,608 × 1 bit
- Serial access operation
  - Serial access time : 1.5 μs
  - Serial read/write time : 2.5 μs
- Low current drain : 200 μA max. (V<sub>CC</sub> = 4 V, at refresh operation, with data stored and under standard conditions)
- Refresh operation
  - A self-refresh function is supported.
- Wide range of operating voltage : Single 3.5 to 5.5 V supply
- Addressing : In units of 1024 words
- Process : 0.5 μm double well CMOS process
- Package:
  - 26/20-pin plastic SOJ (SOJ26/20-P-300-1.27) (Product name : MSM6685JS)

**BLOCK DIAGRAM**



**PIN CONFIGURATION (TOP VIEW)**



NC : No connection

**26/20-Pin Plastic SOJ**

**PIN DESCRIPTION**

Pin	Symbol	Description
25	TEST	Test input
1, 4, 5 9, 10, 24	$\overline{\text{TEST}}$	Test input
2	$\overline{\text{RWCK}}$	Read/write clock
11	DIN	Data input
13	V <sub>SS</sub>	Ground (0 V)
15	DOUT	Data output
16	$\overline{\text{WE}}$	Write enable
17	$\overline{\text{CS}}$	Chip select
18	$\overline{\text{TAS}}$	Transfer address strobe
22	$\overline{\text{SAS}}$	Serial address strobe
23	SAD	Serial address data
26	V <sub>CC</sub>	Power supply (5 V)

Note : All  $\overline{\text{TEST}}$  pins are to be connected to the power supply.  
The TEST pin is to be referenced to the ground level.

**ABSOLUTE MAXIMUM RATINGS**

Parameter	Symbol	Condition	Rating	Unit
Pin Voltage	$V_T$	Against $V_{SS}$ at $T_a = 25\text{ }^\circ\text{C}$	-1.0 to +7.0	V
Short-circuit Output Current	$I_{OS}$	$T_a = 25\text{ }^\circ\text{C}$	50	mA
Power Dissipation	$P_D$	$T_a = 25\text{ }^\circ\text{C}$	1	W
Operating Temperature	$T_{op}$	—	0 to 70	$^\circ\text{C}$
Storage Temperature	$T_{STG}$	—	-55 to +150	$^\circ\text{C}$

**RECOMMENDED OPERATING CONDITIONS**

(Ta=0 to 70°C)

Parameter	Symbol	Min	Typ	Max	Unit
Supply Voltage	$V_{CC}$	3.5	4.5	5.5	V
Supply Voltage	$V_{SS}$	0	0	0	V
"H" Input Voltage	$V_{IH}$	$V_{CC} - 0.5$	$V_{CC}$	$V_{CC} + 0.2$	V
"L" Input Voltage	$V_{IL}$	-0.2	0	+0.5	V

**ELECTRICAL CHARACTERISTICS****DC Characteristics**(V<sub>CC</sub>=3.5V to 5.5V, Ta=0 to 70°C)

Parameter	Symbol	Condition	Min	Max	Unit
"H" Output Voltage	$V_{OH}$	$I_{OH} = -0.5\text{ mA}$	$V_{CC} - 0.5$	—	V
"L" Output Voltage	$V_{OL}$	$I_{OL} = 0.5\text{ mA}$	—	0.4	V
Input Leakage Current	$I_{IL}$	$V_I = 0\text{ V to } V_{CC}$	-1	+1	$\mu\text{A}$
Output Leakage Current	$I_{OL}$	$V_O = 0\text{ V to } V_{CC}$	-1	+1	$\mu\text{A}$
Supply Current (Operation)	$I_{CC1}$	$V_{CC} = 4\text{ V, } t_{RWC} = 1\text{ }\mu\text{s}$	—	20	mA
Supply Current (Standby)	$I_{CC2}$	$V_{CC} = 4\text{ V}$	—	200	$\mu\text{A}$

## AC Characteristics

(V<sub>CC</sub>=3.5 V to 5.5 V, T<sub>a</sub>=0 to 70°C)

Parameter	Symbol	Min	Max	Unit
Read/Write Cycle Time	t <sub>RWC</sub>	2,500	—	ns
Access Time	t <sub>ACC</sub>	—	1,500	ns
Output Turn-off Delay Time	t <sub>OFF</sub>	0	50	ns
I/O Signal Rise Time	t <sub>T</sub>	3	50	ns
RWCK Pre-charge Time	t <sub>RWP</sub>	1,000	—	ns
RWCK Pulse Time	t <sub>RW</sub>	1,500	10,000	ns
SAS Cycle Time	t <sub>SSC</sub>	100	—	ns
SAS Pre-charge Time	t <sub>SAP</sub>	50	—	ns
SAS Pulse Duration	t <sub>SAS</sub>	50	—	ns
Address Setup Time	t <sub>AS</sub>	0	—	ns
Address Hold Time	t <sub>AH</sub>	50	—	ns
TAS Setup Time	t <sub>ATS</sub>	50	—	ns
TAS . RWCK Setup Time	t <sub>TRS</sub>	50	—	ns
TAS Pulse Duration	t <sub>TAS</sub>	50	—	ns
Read Instruction Setup Time	t <sub>RIS</sub>	0	—	ns
Read Instruction Hold Time	t <sub>RRIH</sub>	250	—	ns
Write Instruction Setup Time	t <sub>WIS</sub>	0	—	ns
Write Instruction Hold Time	t <sub>WRIH</sub>	50	—	ns
Write Instruction Pulse Duration	t <sub>WIP</sub>	50	—	ns
WE. RWCK Read Time	t <sub>RWL</sub>	50	—	ns
Data Setup Time	t <sub>DS</sub>	0	—	ns
Data Hold Time	t <sub>DH</sub>	50	—	ns
RWCK. WE Delay Time	t <sub>RWD</sub>	50	—	ns



## PIN FUNCTIONS AND OPERATING MODES

- Serial address input (SAD)

Pin used to enter start address for reading/writing. An address can be specified in units of 1024 words. 1024 words of address data can be entered through the pin as 13 bits (A0 to A12) of serial data.

- Serial address strobe ( $\overline{SAS}$ )

This is a clock pin for latching serial address data into an internal register.

- Address transfer strobe ( $\overline{TAS}$ )

This is an input pin for loading the internal address counter with serial address data latched in the address register.

- Read/write clock ( $\overline{RWCK}$ )

This is a clock input pin for reading and writing information in the data register. The trailing edge of  $\overline{RWCK}$  triggers off internal operation. In the reading mode, information in the data register is output to the DOUT pin. In the writing mode, the data register is loaded with DIN information. At the leading edge of  $\overline{RWCK}$ , the internal address counter is incremented automatically by +1.

- Write enable ( $\overline{WE}$ )

This is an input pin for selecting the read mode, the write mode, or the read-modify-write mode. When  $\overline{WE}$  is "H", the read mode is set up and, when  $\overline{WE}$  is "L", the write mode is set up. When the level is lowered from "H" to "L" with  $\overline{RWCK}$  active, the read-modify-write mode is set up.

- Data input (DIN)

This is a pin for entering write data. Information on the data input pin is latched when the trailing edge of  $\overline{RWCK}$  is encountered in the write mode and that of  $\overline{WE}$  is encountered in the read-modify mode.

- Data output (DOUT)

The data output pin always provides high impedance as long as  $\overline{RWCK}$  or  $\overline{CS}$  is kept at "H". When "H" or "L" information is read, the output pin set at "H" or "L", and information read is held until  $\overline{RWCK}$  returns to "H". In the early write mode, the output pin is maintained at high impedance, so that, connection of DIN and DOUT enables "I/O common operation".

- Chip select ( $\overline{CS}$ )

This is an input pin for disabling all input pins. This pin allows the use of two or more MSM6684A devices with data input and output pins connected in parallel.

- Test (TEST,  $\overline{TEST}$ )

The TEST pin must always be fixed at "L" and the  $\overline{TEST}$  pin at "H".

## NOTES ON ENERGIZATION

MSM6685 has built-in bias generator and internal power supply circuits, thus, power up must be followed by a pause of 1 ms or more for internal circuit stabilization. Furthermore, the TEST pin must be brought "L" concurrently with or prior to  $V_{CC}$ , and all clock input pins and TEST pins must be brought "H" concurrently with or prior to  $V_{CC}$ .

To achieve proper operation of internal circuits, the initial pause above must be followed by a minimum ten dummy read cycles with  $\overline{RWCK}$  for internal circuit initialization.

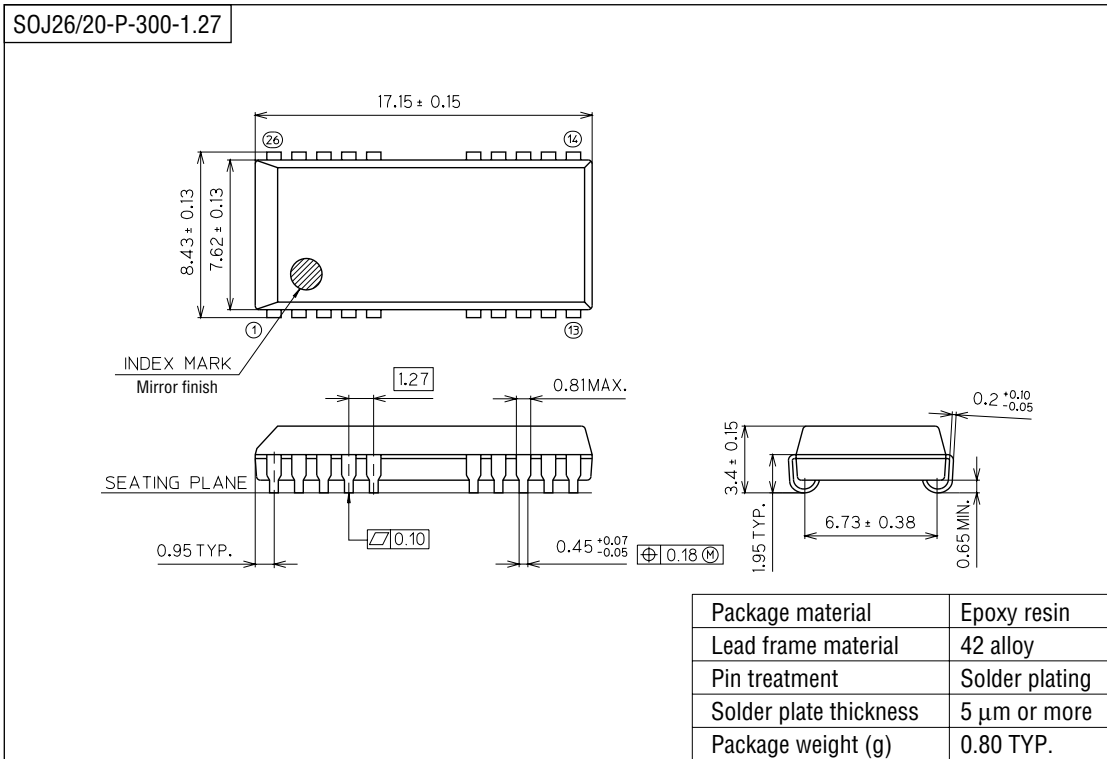
## NOTES ON SUPPLY VOLTAGE VARIATION

When using MSM6685, take precautions so that the supply voltage does not vary over one volt within a period of 1,000 $\mu$ s or less in the active state.



PACKAGE DIMENSIONS

(Unit : mm)



Notes for Mounting the Surface Mount Type Package

The SOP, QFP, TSOP, SOJ, QFJ (PLCC), SHP and BGA are surface mount type packages, which are very susceptible to heat in reflow mounting and humidity absorbed in storage. Therefore, before you perform reflow mounting, contact Oki's responsible sales person for the product name, package name, pin number, package code and desired mounting conditions (reflow method, temperature and times).