

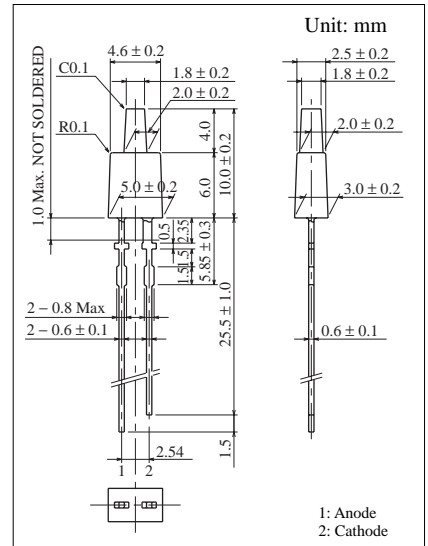
1.8 mm × 1.8 mm Series

Conventional Part No.      Global Part No.      Lighting Color  
 LN265RPH ..... LNG265RFR ..... Red  
 LN365GPH ..... LNG365GFG ..... Green  
 LN465YPH ..... LNG465YFX ..... Amber

■ 絶対最大定格 Absolute Maximum Ratings (T<sub>a</sub> = 25°C)

Lighting Color	P <sub>D</sub> (mW)	I <sub>F</sub> (mA)	I <sub>FP</sub> (mA)*	V <sub>R</sub> (V)	T <sub>opr</sub> (°C)	T <sub>stg</sub> (°C)
Red	70	25	150	4	-25 ~ +85	-30 ~ +100
Green	90	30	150	4	-25 ~ +85	-30 ~ +100
Amber	90	30	150	4	-25 ~ +85	-30 ~ +100

I<sub>FP</sub>の条件は duty 10% Pulse width 1 msec. The condition of I<sub>FP</sub> is duty 10%, Pulse width 1 msec



■ 電気的光学的特性 Electro-Optical Characteristics (T<sub>a</sub> = 25°C)

Conventional Part No.	Lighting Color	Lens Color	I <sub>O</sub>		I <sub>F</sub>	V <sub>F</sub>		λ <sub>p</sub>	Δλ	I <sub>F</sub>	I <sub>R</sub>	
			Typ	Min		Typ	Max				Typ	Max
LN265RPH	Red	Red Diffused	0.7	0.25	15	2.2	2.8	700	100	20	5	4
LN365GPH	Green	Green Diffused	3.0	1.00	20	2.2	2.8	565	30	20	10	4
LN465YPH	Amber	Amber Diffused	2.5	0.90	20	2.2	2.8	590	30	20	10	4
Unit	—	—	mcd	mcd	mA	V	V	nm	nm	mA	μA	V

