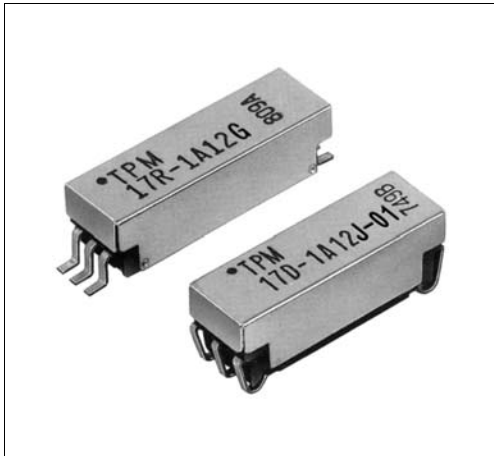


Surface Mount Reed Relays (1)

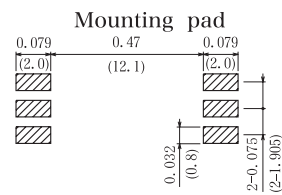
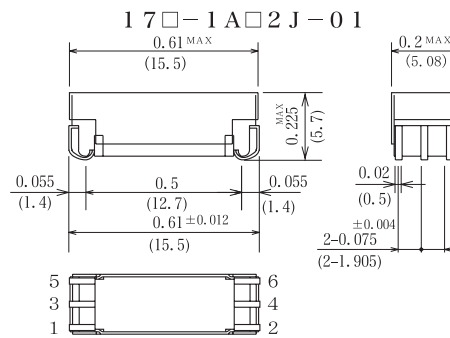
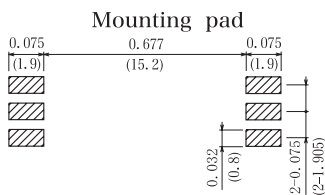
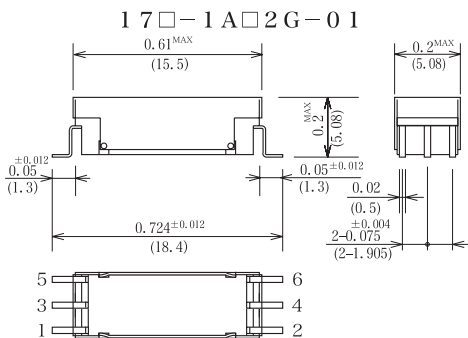
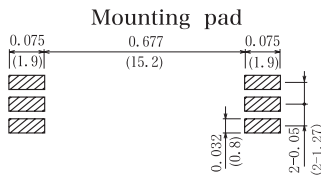
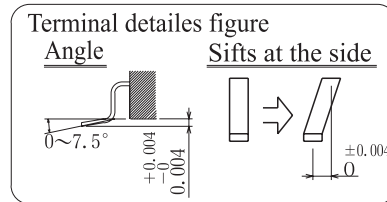
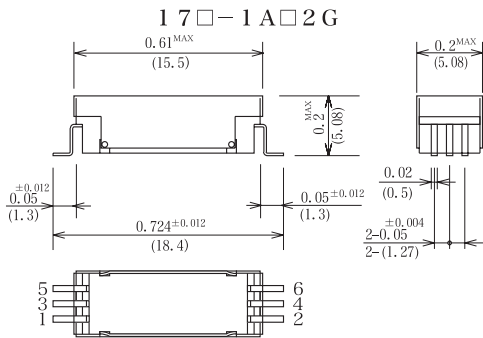


The 17 Series is the middle range 10W contact rating Sanyu SMT product line. This product line comes in 1 Form A arrangement. These relays provide the high-cycle support demanded by the ATE and network communications.

- High RF performance
- Impedance 50Ω
- High insulation resistance up to 10¹¹

Mechanical Dimensions

All dimensions are measured in inches (millimeters).



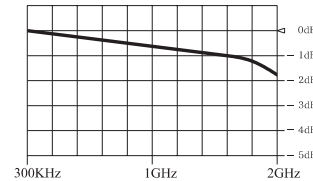
Please let our Sales Department know when the packing with tape-and-reel for 17□ type will be needed.



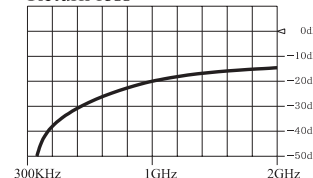
17D, 17R Series			50Ω Coaxial	50Ω Coaxial	50Ω Coaxial	50Ω Coaxial
			Model Number	Model Number	Model Number	Model Number
			17D-1A□2G	17D-1A□2□-01	17R-1A□2G	17R-1A□2□-01
Parameters	Test Condition	Units	1 Form A	1 Form A	1 Form A	1 Form A
Coil Specifications						
Nominal coil voltage		VDC	5	12	5	12
Coil resistance	±10%at20°C	Ω	120	600	200	825
Operating voltage	15°C~35°C	VDC Max	3.6	9.6	3.6	9.6
Release voltage	15°C~35°C	VDC Min	0.7	1.2	0.7	1.2
Contact Ratings						
Switching voltage	Max. DC/Peak AC resistance	Volts			200	
Switching current	Max. DC/Peak AC resistance	Amps			0.5	
Carry current	Max. DC/Peak AC resistance	Amps			1.0	
Contact rating	Max. DC/Peak AC resistance	Watts			10	
Life expectancy	1V. 10mA	×10 ⁶ cycles	1000		1500	
Contact resistance	Maximum initial	mΩ	150		150	
Contact resistance stability	Maximum initial	mΩ	5.0		5.0	
Relay Specifications						
Insulation resistance	Between all isolated pins at 100V 20°C 40%RH	Ω	10 ¹¹			
Capacitance		μF-Max				
Across open contacts	Shield guarding		0.2			
Contact to Shield	Contacts open, Shield floating		1.5			
Open contact to coil	Shield guarding		0.6			
Dielectric strength	Between contacts	VDC	250			
	Contacts to shield		250			
Operating time (Including. bounce)	At nominal coil voltage, 100Hz Square wave	msec	0.5			
Release time	Diode suppression	msec	0.5			
Environmental Ratings		Schematics Top view				
Measurement reference conditons Temp. : 15°C~35°C Humidity : 25%~85%RH Atmospheric pressure : 860~1060hPa Storage temp. : -40°C~+80°C Operating temp. : -20°C~+60°C The operating and Release Voltage and the coil resistance are specified at 20°C. These values change approximately 0.4%/°C change in the ambient temperature. Vibration : 20Gs to 2000Hz Shock : 50Gs						

17D Series

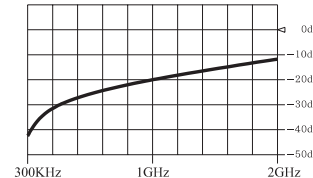
Insertion loss



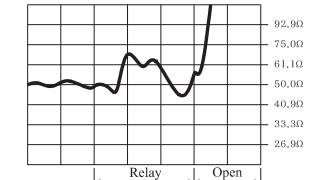
Return loss



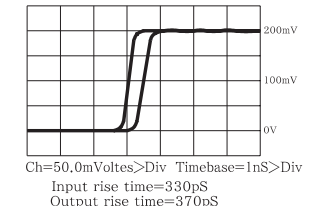
Isolation loss



T · D · R



Rise time



Notes :

- Values are specified with a resistive load being applied. A contact protective circuit is required for C and L type loads.
- The values for the operating time and release time however, are when the rated coil voltage is applied and a clamp diode is attached.
- Surface mount component processing temperature: 446°F (230°C) max. for 10 seconds dwell time. Temperature is measured at leads where they exit the package.

ORDERING CODE

1 7 □ - 1 A □ 2 □ - □ □
(1) (2) (3) (4)

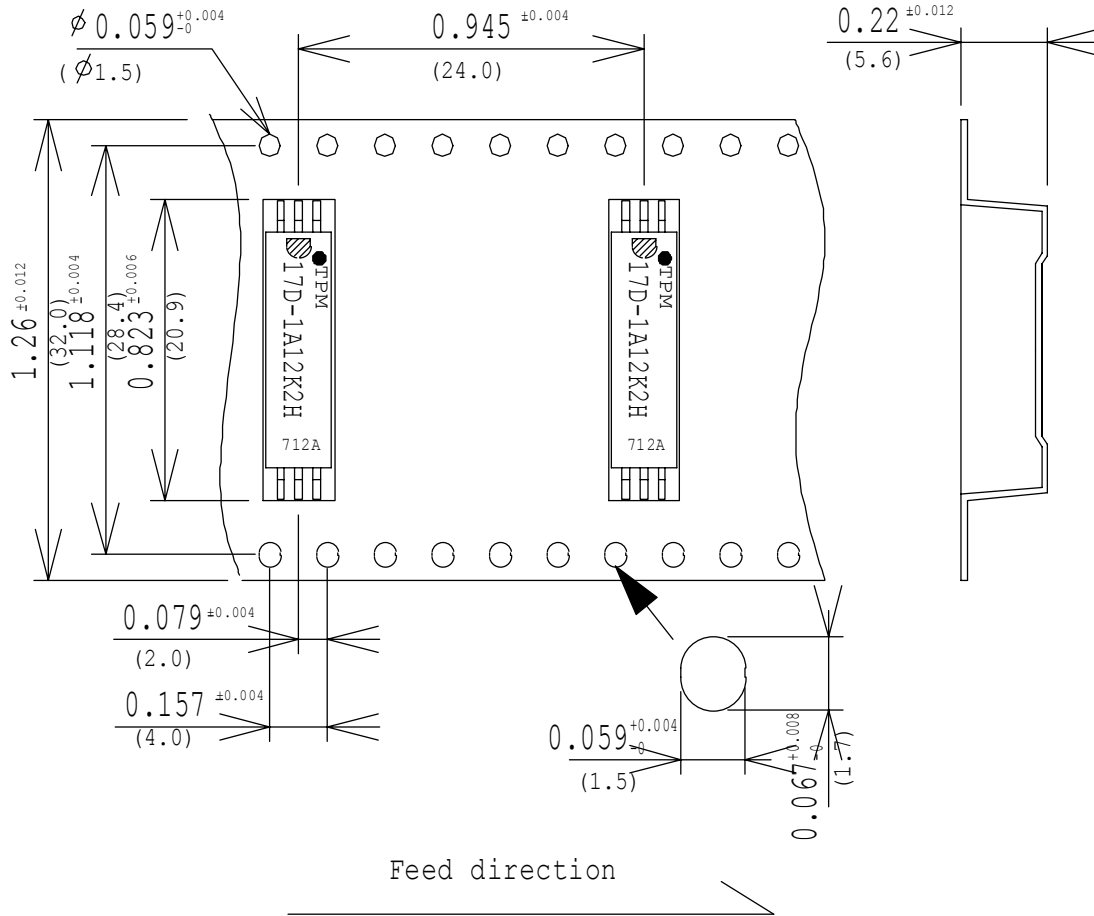
Example 17D-1A12G Represents Series 17D with 1Form A, Dry Reed (Rhodium), Coil Voltage 5V, Electrostatic Shield and Terminal Style Gull-Wing.

- | | |
|--|--|
| (1) Reed Switch Type
D - Dry Reed (Rhodium)
R - Dry Reed (Ruthenium) | (3) Terminal Style
G-Gull-Wing
J-J-Lead |
| (2) Coil Voltage
1-5VDC
2-12VDC | (4) Special Code Example
01-0.075 inch (1.905 mm) pitches |

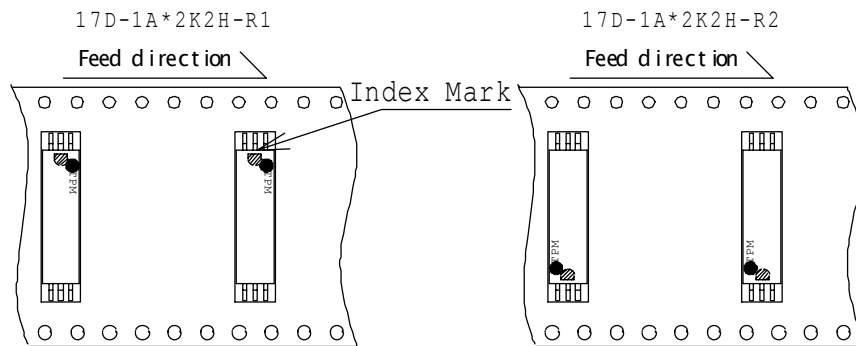


Tape shape & dimensions

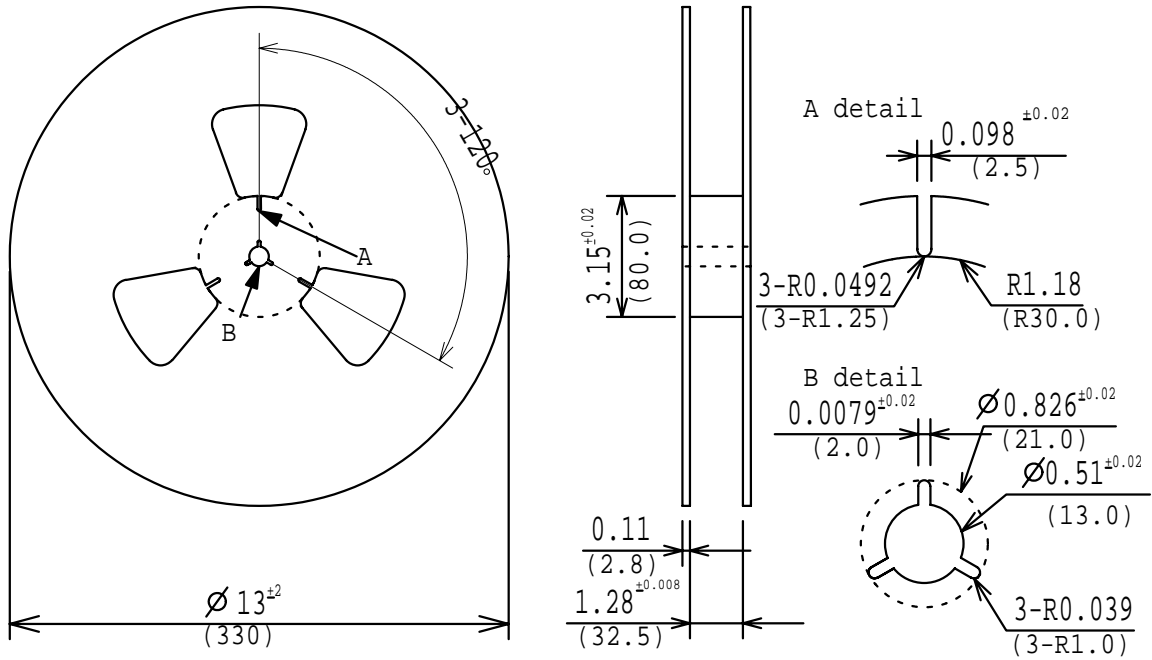
17D-1A*2K2H TYPE



Device mounting directions



Reel shape & dimensions



Feed direction

