

D Sub Connectors

50 Position EMI Junction Shell

3357-9250 Series



- Cast aluminum shell provides EMI/ESD protection
- Spring latch allows positive, quick and easy connect and disconnect
- Strain relief compensates for various round cable outside diameters
- Nickel plating provides attractive and corrosion-resistant features

Date Modified: February 19, 1999

TS-0245-05
Sheet 1 of 2

58

Physical

Junction Shell Kit

Hardware Included: (2) Shell Halves - Die Cast Aluminum Alloy, Clear Chromate
(2) $8 \times 32 \times 3/8$ - Steel, Zinc
(2) Latch - Stainless Steel
(1) Tape Strip

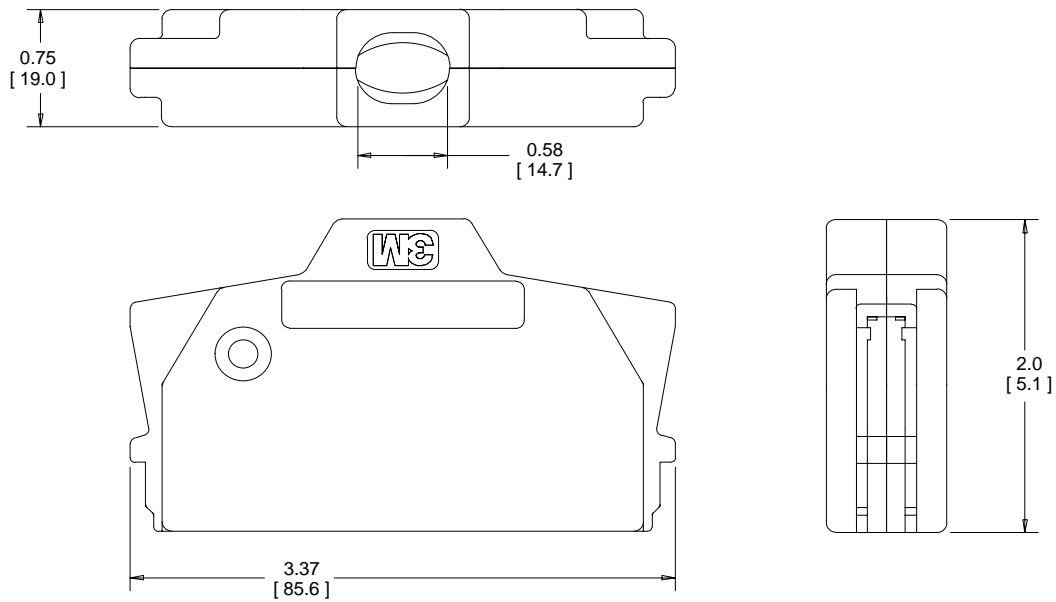
Latch Bracket Kit

Hardware Included: (1) Bracket - Stainless Steel
(2) Screws #4-40 $\times 7/16$ - Steel, Zinc
(6) Flat Washers - Steel, Zinc
(2) Spring Washers - Steel, Zinc

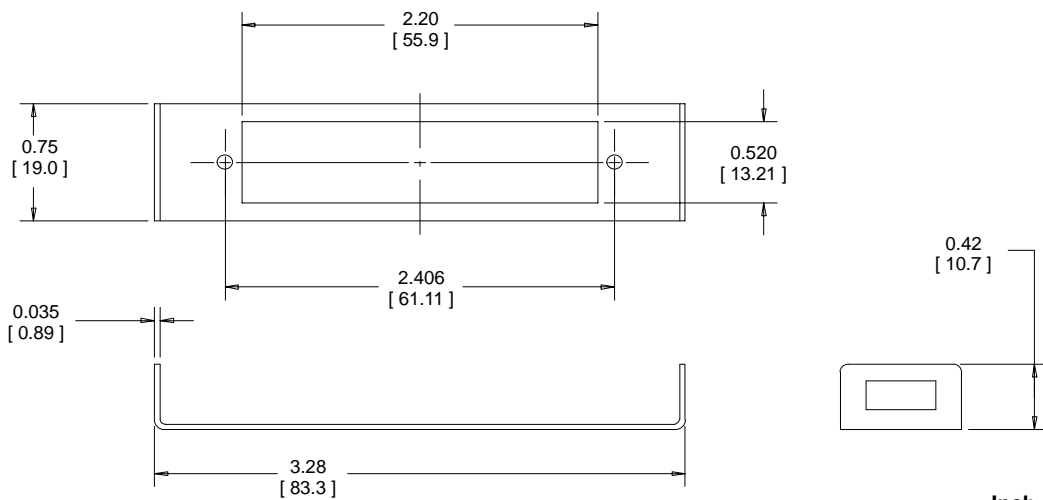
D Sub Connectors

50 Position EMI Junction Shell

3357-9250 Series



Junction Shell



Latch Bracket

Inch
[mm]

Tolerance Unless Noted			
	.0	.00	.000
Inch	±.1	±.01	±.005

[] Dimensions for Reference only

Note: Maximum Panel Thickness for Latch Bracket is 3/32".

Ordering Information

Junction Shell

3357-9250

Latch Bracket
(Order Separately)

3505-62

TS-0245-05
Sheet 2 of 2

3M Interconnect Solutions Division

6801 River Place Blvd.
Austin, TX 78726-9000

For technical, sales or ordering information call
800-225-5373