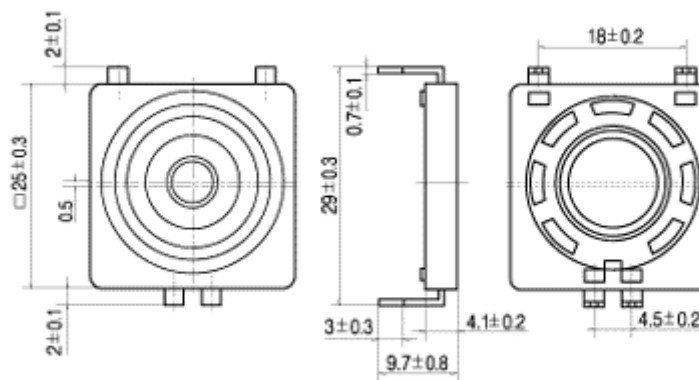


Type	BMS-2508H
Rated Impedance(Ω)	$8\pm 15\%$
Rated(Max.) Power(W)	0.1(0.2)
Resonant Frequency(Hz)	$1000\pm 20\%$
Rated Freq.Range(Hz)	$f_0\sim 3200$
Sound Pressure Level(dB)	75 ± 3
Magnet(g)	1.7
Operating Temperature($^{\circ}\text{C}$)	$-40\sim +85$

OEM pin or extented wire with connector



Unit:mm

