

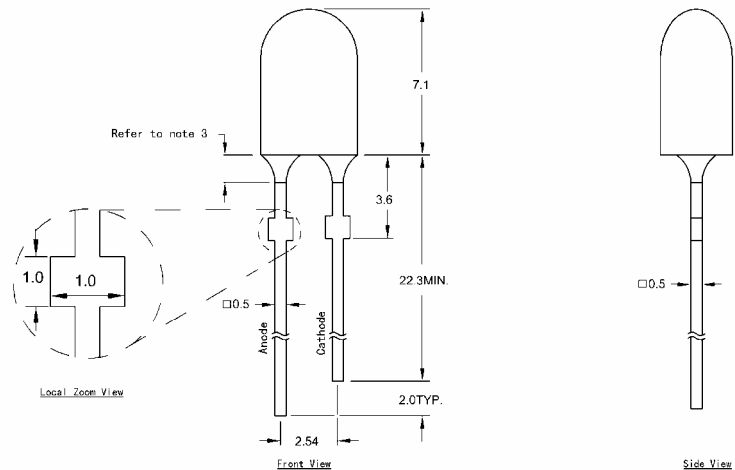
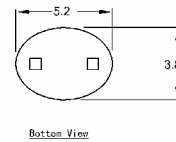
MEGA BRIGHT LED

BTL-55NRCS-XX-X

Product Features

- Ultra Bright Normal Red Color
- High Light Output
- 5X4mm Diameter Elliptical Package
- Water Clear Lens
- Highly Reliable
- IC Compatible
- Leads with Stand Off

Package Dimension



Applications

- Full Color Display
- Automotive
- Front Panel Indicator
- Special Lighting
- General Purpose LEDs

WARNING

This range of LEDs is produced with die having a high radiant flux. Care must be taken when viewing the product at close range as the light may be intense enough to cause damage to the human eye.

Note: Industry standard procedures regarding static must be observed when handling this product.

Tolerance: $\pm \frac{\text{inch}}{\text{mm}}$ Unit: $\pm \frac{0.01}{0.25}$

Optical and Electrical Characteristics at $T_a=25$

| Parameter | Symbol | Minimum | Typical | Maximum | Units | Conditions |
|---------------------|---------------------|---------|---------|---------|---------------|---------------------------------|
| Luminous Intensity | I_v | - | 450 | - | mcd | $I_F = 20\text{mA}$ (Note 1) |
| Viewing Angle | $20\frac{1}{2}$ H-H | - | 110 | - | deg | $I_F = 20\text{mA}$ |
| | $20\frac{1}{2}$ V-V | - | 45 | - | | |
| Dominant Wavelength | λ_D | 620 | 630 | 635 | nm | $I_F = 20\text{mA}$ (Note 2) |
| DC Forward Voltage | V_F | 1.7 | 1.9 | 2.5 | V | $I_F = 20\text{mA}$ |
| DC Reverse Current | I_R | 0 | - | 10 | μA | $V_R=5\text{V}$ |

Notes:

1. Light intensity measures the light sensing response standard using chromatic meter. Refer to the CIE eye-response curve set by International Lighting committee. Tolerance of minimum and maximum intensity = $\pm 15\%$
2. Wavelength range can be selected from the bin selection table. Tolerance of minimum and maximum = $\pm 2\text{nm}$
3. These products are sensitive to static electricity and care must be fully taken when handling products



MEGA BRIGHT LED

BTL-55NRCS-XX-X

Absolute Maximum Ratings at $T_a=25$

| Symbol | Parameter | Max. | Unit |
|--|--|-------------|-----------------|
| P_D | Power Rating | 100 | mW |
| V_R | Reverse Voltage ($I_R=10\mu A$) | 5 | V |
| I_F | Continuous Forward Current | 30 | mA |
| I_{FP} | Peak Forward Current (0.1 duty cycle @ 1kHz) | 100 | mA |
| T_{opr} | Operating Temperature Range | -35 ~ + 80 | |
| T_{stg} | Storage Temperature Range | -40 ~ + 100 | |
| Lead Soldering Temperature [1.6mm (0.063inch) from body] | | 260 | - max 5 seconds |

Wavelength and Brightness Selection

BTL-55NRCS-XX-X

Wavelength Bin Selection

| Bin | Normal Red (nm) |
|-----|-----------------|
| O1 | 620~625 |
| O2 | 625~630 |
| O3 | 630~635 |
| XX | 620~635 |

Brightness Bin Selection

| Bin | Range(mcd) |
|-----|------------|
| J | 310~400 |
| K | 400~520 |
| L | 520~675 |

Packaging Options

Standard: 1000 pc bulk pack

Optional: Tape and Reel (Please specify when order)

MEGA BRIGHT LED

BTL-55NRCS-XX-X

Typical Electro-Optical Characteristics Curves at $T_a=25$

