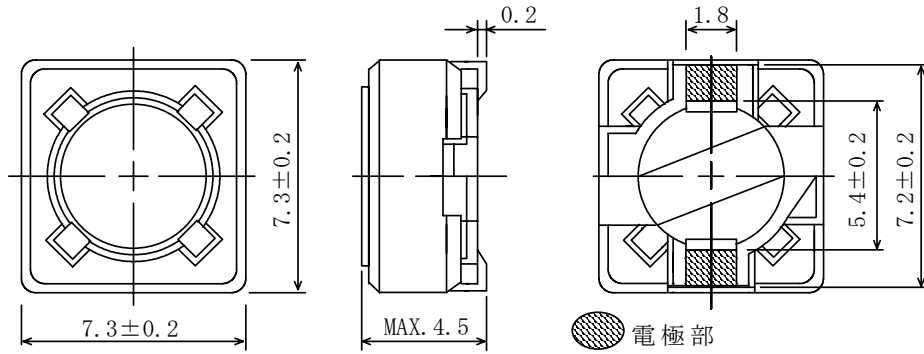


仕様書

形名
CDRH74

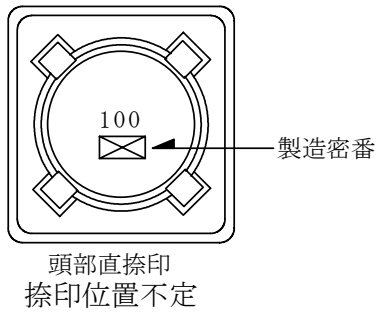
1. 外形

1-1. 寸法図(mm)

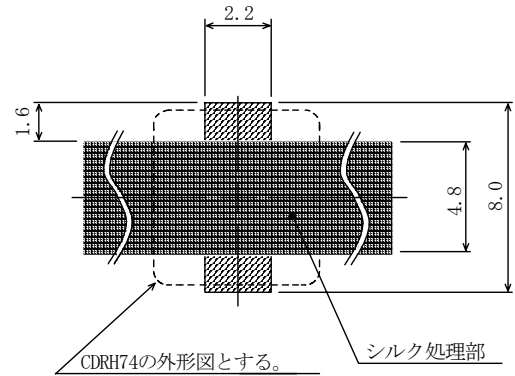


* 公差のない寸法は参考値とする。

1-2. 捺印表示例



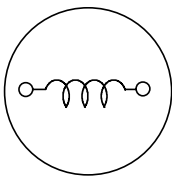
1-3. 推奨ランド寸法(mm)



電極(端子)間の隙間はシルク処理をして御使用下さい。

2. コイル仕様

2-1. 端子接続図(裏面図)



RoHS
compliance
Cd:Max.0.01wt%
others:Max.0.1wt%



仕様書

形名 CDRH74

2-2. 電気的特性 I (リール梱包の場合)

NO.	品名	表示	インダクタンス [以内] ※1	D. C. R. (Ω) [以下] (at 20°C) ※2	定格電流 (A) ※3	スミダ コード
01	CDRH74NP-100MC	100	10 μ H \pm 20%	49m (38m)	1.84	4734-0371
02	CDRH74NP-120MC	120	12 μ H \pm 20%	58m (44m)	1.71	4734-0372
03	CDRH74NP-150MC	150	15 μ H \pm 20%	81m (62m)	1.47	4734-0373
04	CDRH74NP-180MC	180	18 μ H \pm 20%	91m (70m)	1.31	4734-0374
05	CDRH74NP-220MC	220	22 μ H \pm 20%	0.11 (77m)	1.23	4734-0375
06	CDRH74NP-270MC	270	27 μ H \pm 20%	0.15 (0.12)	1.12	4734-0376
07	CDRH74NP-330MC	330	33 μ H \pm 20%	0.17 (0.13)	0.96	4734-0378
08	CDRH74NP-390MC	390	39 μ H \pm 20%	0.23 (0.18)	0.91	4734-0376
09	CDRH74NP-470MC	470	47 μ H \pm 20%	0.26 (0.20)	0.88	4734-0380
10	CDRH74NP-560MC	560	56 μ H \pm 20%	0.35 (0.27)	0.75	4734-0381
11	CDRH74NP-680MC	680	68 μ H \pm 20%	0.38 (0.30)	0.69	4734-0382
12	CDRH74NP-820MC	820	82 μ H \pm 20%	0.43 (0.33)	0.61	4734-0383
13	CDRH74NP-101MC	101	100 μ H \pm 20%	0.61 (0.47)	0.60	4734-0384
14	CDRH74NP-121MC	121	120 μ H \pm 20%	0.66 (0.51)	0.52	4734-0385
15	CDRH74NP-151MC	151	150 μ H \pm 20%	0.88 (0.68)	0.46	4734-0386
16	CDRH74NP-181MC	181	180 μ H \pm 20%	0.98 (0.76)	0.42	4734-0387
17	CDRH74NP-221MC	221	220 μ H \pm 20%	1.17 (0.90)	0.36	4734-0389
18	CDRH74NP-271MC	271	270 μ H \pm 20%	1.64 (1.32)	0.34	4734-0390
19	CDRH74NP-331MC	331	330 μ H \pm 20%	1.86 (1.49)	0.32	4734-0391
20	CDRH74NP-391MC	391	390 μ H \pm 20%	2.85 (2.28)	0.29	4734-0392
21	CDRH74NP-471MC	471	470 μ H \pm 20%	3.01 (2.41)	0.26	4734-0393
22	CDRH74NP-561MC	561	560 μ H \pm 20%	3.62 (2.89)	0.23	4734-0394
23	CDRH74NP-681MC	681	680 μ H \pm 20%	4.63 (3.71)	0.22	4734-0395
24	CDRH74NP-821MC	821	820 μ H \pm 20%	5.20 (4.16)	0.20	4734-0396
25	CDRH74NP-102MC	102	1.0mH \pm 20%	6.00 (4.80)	0.18	4734-0397

仕様書

形名 CDRH74

2-3. 電気的特性Ⅱ (箱梱包の場合)

NO.	品名	表示	インダクタンス [以内] ※1	D. C. R. (Ω) [以下] (at 20°C) ※2	定格電流 (A) ※3	スミダ コード
26	CDRH74NP-100MB	100	10 μ H \pm 20%	49m (38m)	1.84	4734-0398
27	CDRH74NP-120MB	120	12 μ H \pm 20%	58m (44m)	1.71	4734-0401
28	CDRH74NP-150MB	150	15 μ H \pm 20%	81m (62m)	1.47	4734-0402
29	CDRH74NP-180MB	180	18 μ H \pm 20%	91m (70m)	1.31	4734-0403
30	CDRH74NP-220MB	220	22 μ H \pm 20%	0.11 (77m)	1.23	4734-0404
31	CDRH74NP-270MB	270	27 μ H \pm 20%	0.15 (0.12)	1.12	4734-0405
32	CDRH74NP-330MB	330	33 μ H \pm 20%	0.17 (0.13)	0.96	4734-0406
33	CDRH74NP-390MB	390	39 μ H \pm 20%	0.23 (0.18)	0.91	4734-0407
34	CDRH74NP-470MB	470	47 μ H \pm 20%	0.26 (0.20)	0.88	4734-0408
35	CDRH74NP-560MB	560	56 μ H \pm 20%	0.35 (0.27)	0.75	4734-0409
36	CDRH74NP-680MB	680	68 μ H \pm 20%	0.38 (0.30)	0.69	4734-0410
37	CDRH74NP-820MB	820	82 μ H \pm 20%	0.43 (0.33)	0.61	4734-0412
38	CDRH74NP-101MB	101	100 μ H \pm 20%	0.61 (0.47)	0.60	4734-0413
39	CDRH74NP-121MB	121	120 μ H \pm 20%	0.66 (0.51)	0.52	4734-0414
40	CDRH74NP-151MB	151	150 μ H \pm 20%	0.88 (0.68)	0.46	4734-0415
41	CDRH74NP-181MB	181	180 μ H \pm 20%	0.98 (0.76)	0.42	4734-0416
42	CDRH74NP-221MB	221	220 μ H \pm 20%	1.17 (0.90)	0.36	4734-0417
43	CDRH74NP-271MB	271	270 μ H \pm 20%	1.64 (1.32)	0.34	4734-0418
44	CDRH74NP-331MB	331	330 μ H \pm 20%	1.86 (1.49)	0.32	4734-0419
45	CDRH74NP-391MB	391	390 μ H \pm 20%	2.85 (2.28)	0.29	4734-0420
46	CDRH74NP-471MB	471	470 μ H \pm 20%	3.01 (2.41)	0.26	4734-0421
47	CDRH74NP-561MB	561	560 μ H \pm 20%	3.62 (2.89)	0.23	4734-0423
48	CDRH74NP-681MB	681	680 μ H \pm 20%	4.63 (3.71)	0.22	4734-0424
49	CDRH74NP-821MB	821	820 μ H \pm 20%	5.20 (4.16)	0.20	4734-0425
50	CDRH74NP-102MB	102	1.0mH \pm 20%	6.00 (4.80)	0.18	4734-0426

※1: 測定周波数 L at 1 kHz

※2: ()内は標準値とする。

※3: 定格電流は直流重畳特性に於て、インダクタンスが公称値より-25%となる電流もしくは直流電流を流した時のコイルの発熱が $\Delta t=40^{\circ}\text{C}$ となる電流値の少ない方の値。(Ta=20°Cを基準とする。)

3. 保存温度範囲 -40°C~+100°C

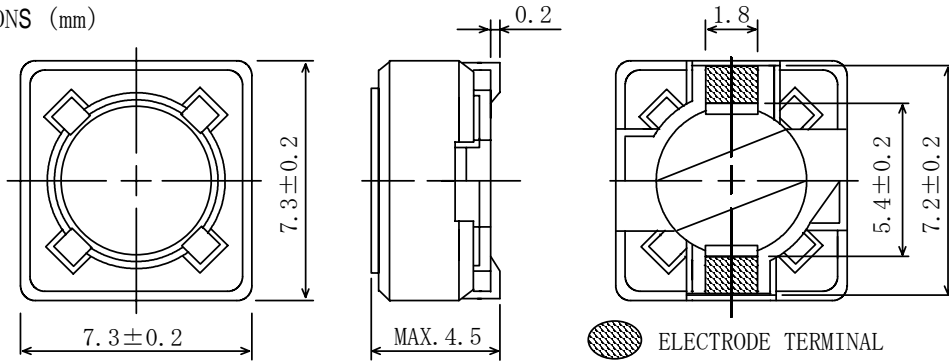
使用温度範囲 -40°C~+100°C (コイルの発熱を含む。)

SPECIFICATION

TYPE CDRH74

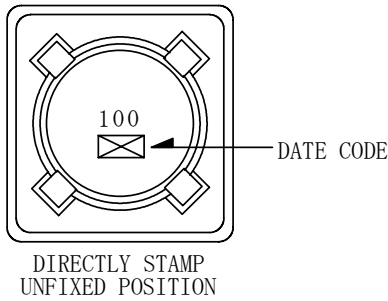
1. APPEARANCE

1-1. DIMENSIONS (mm)

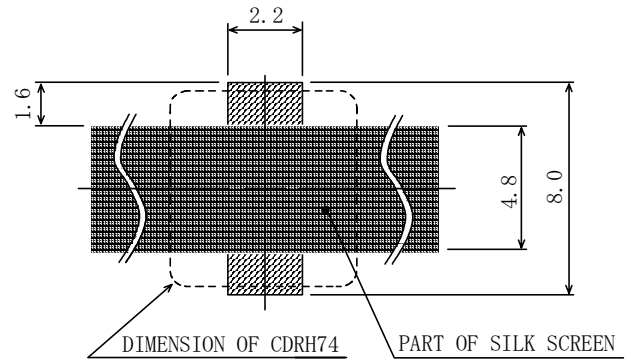


* DIMENSIONS WITHOUT TOLERANCE ARE APPROX. (BOTTOM VIEW)

1-2. STAMP (E.G.)



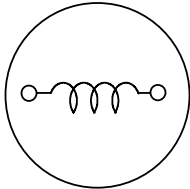
1-3. DIMENSION RECOMMENDED (mm)



PLEASE COAT WITH SILK SCREEN BETWEEN THE TWO TERMINALS.

2. COIL SPECIFICATION

2-1. CONNECTION



RoHS compliance Cd:Max. 0.01wt% others:Max. 0.1wt%



SPECIFICATION

T Y P E
C D R H 7 4

2-2. ELECTRICAL CHARACTERISTICS I (IN THE CASE OF REEL)

NO.	PART NO.	STAMP	INDUCTANCE [WITHIN] ※1	D. C. R. (Ω) [MAX.] (at 20°C) ※2	RATED CURRENT (A) ※3	SUMIDA CODE
01	CDRH74NP-100MC	100	10 μH ± 20%	49m(38m)	1.84	4734-0371
02	CDRH74NP-120MC	120	12 μH ± 20%	58m(44m)	1.71	4734-0372
03	CDRH74NP-150MC	150	15 μH ± 20%	81m(62m)	1.47	4734-0373
04	CDRH74NP-180MC	180	18 μH ± 20%	91m(70m)	1.31	4734-0374
05	CDRH74NP-220MC	220	22 μH ± 20%	0.11(77m)	1.23	4734-0375
06	CDRH74NP-270MC	270	27 μH ± 20%	0.15(0.12)	1.12	4734-0376
07	CDRH74NP-330MC	330	33 μH ± 20%	0.17(0.13)	0.96	4734-0378
08	CDRH74NP-390MC	390	39 μH ± 20%	0.23(0.18)	0.91	4734-0376
09	CDRH74NP-470MC	470	47 μH ± 20%	0.26(0.20)	0.88	4734-0380
10	CDRH74NP-560MC	560	56 μH ± 20%	0.35(0.27)	0.75	4734-0381
11	CDRH74NP-680MC	680	68 μH ± 20%	0.38(0.30)	0.69	4734-0382
12	CDRH74NP-820MC	820	82 μH ± 20%	0.43(0.33)	0.61	4734-0383
13	CDRH74NP-101MC	101	100 μH ± 20%	0.61(0.47)	0.60	4734-0384
14	CDRH74NP-121MC	121	120 μH ± 20%	0.66(0.51)	0.52	4734-0385
15	CDRH74NP-151MC	151	150 μH ± 20%	0.88(0.68)	0.46	4734-0386
16	CDRH74NP-181MC	181	180 μH ± 20%	0.98(0.76)	0.42	4734-0387
17	CDRH74NP-221MC	221	220 μH ± 20%	1.17(0.90)	0.36	4734-0389
18	CDRH74NP-271MC	271	270 μH ± 20%	1.64(1.32)	0.34	4734-0390
19	CDRH74NP-331MC	331	330 μH ± 20%	1.86(1.49)	0.32	4734-0391
20	CDRH74NP-391MC	391	390 μH ± 20%	2.85(2.28)	0.29	4734-0392
21	CDRH74NP-471MC	471	470 μH ± 20%	3.01(2.41)	0.26	4734-0393
22	CDRH74NP-561MC	561	560 μH ± 20%	3.62(2.89)	0.23	4734-0394
23	CDRH74NP-681MC	681	680 μH ± 20%	4.63(3.71)	0.22	4734-0395
24	CDRH74NP-821MC	821	820 μH ± 20%	5.20(4.16)	0.20	4734-0396
25	CDRH74NP-102MC	102	1.0mH ± 20%	6.00(4.80)	0.18	4734-0397

SPECIFICATION

TYPE
CDRH74

2-3. ELECTRICAL CHARACTERISTICS II (IN THE CASE OF BOX)

NO.	PART NO.	STAMP	INDUCTANCE [WITHIN] ※1	D. C. R. (Ω) [MAX.] (at 20°C) ※2	RATED CURRENT (A) ※3	SUMIDA CODE
26	CDRH74NP-100MB	100	10 μH ± 20%	49m(38m)	1.84	4734-0398
27	CDRH74NP-120MB	120	12 μH ± 20%	58m(44m)	1.71	4734-0401
28	CDRH74NP-150MB	150	15 μH ± 20%	81m(62m)	1.47	4734-0402
29	CDRH74NP-180MB	180	18 μH ± 20%	91m(70m)	1.31	4734-0403
30	CDRH74NP-220MB	220	22 μH ± 20%	0.11(77m)	1.23	4734-0404
31	CDRH74NP-270MB	270	27 μH ± 20%	0.15(0.12)	1.12	4734-0405
32	CDRH74NP-330MB	330	33 μH ± 20%	0.17(0.13)	0.96	4734-0406
33	CDRH74NP-390MB	390	39 μH ± 20%	0.23(0.18)	0.91	4734-0407
34	CDRH74NP-470MB	470	47 μH ± 20%	0.26(0.20)	0.88	4734-0408
35	CDRH74NP-560MB	560	56 μH ± 20%	0.35(0.27)	0.75	4734-0409
36	CDRH74NP-680MB	680	68 μH ± 20%	0.38(0.30)	0.69	4734-0410
37	CDRH74NP-820MB	820	82 μH ± 20%	0.43(0.33)	0.61	4734-0412
38	CDRH74NP-101MB	101	100 μH ± 20%	0.61(0.47)	0.60	4734-0413
39	CDRH74NP-121MB	121	120 μH ± 20%	0.66(0.51)	0.52	4734-0414
40	CDRH74NP-151MB	151	150 μH ± 20%	0.88(0.68)	0.46	4734-0415
41	CDRH74NP-181MB	181	180 μH ± 20%	0.98(0.76)	0.42	4734-0416
42	CDRH74NP-221MB	221	220 μH ± 20%	1.17(0.90)	0.36	4734-0417
43	CDRH74NP-271MB	271	270 μH ± 20%	1.64(1.32)	0.34	4734-0418
44	CDRH74NP-331MB	331	330 μH ± 20%	1.86(1.49)	0.32	4734-0419
45	CDRH74NP-391MB	391	390 μH ± 20%	2.85(2.28)	0.29	4734-0420
46	CDRH74NP-471MB	471	470 μH ± 20%	3.01(2.41)	0.26	4734-0421
47	CDRH74NP-561MB	561	560 μH ± 20%	3.62(2.89)	0.23	4734-0423
48	CDRH74NP-681MB	681	680 μH ± 20%	4.63(3.71)	0.22	4734-0424
49	CDRH74NP-821MB	821	820 μH ± 20%	5.20(4.16)	0.20	4734-0425
50	CDRH74NP-102MB	102	1.0mH ± 20%	6.00(4.80)	0.18	4734-0426

※1: MEASURED FREQUENCY L at 1 kHz

※2 : () TYPICAL VALUE.

※3: THIS INDICATES THE VALUE OF CURRENT WHEN THE INDUCTANCE IS 25% LOWER THAN ITS NOMINAL VALUE AT D. C. SUPERPOSITION OR D. C. CURRENT WHEN ΔT=40°C WHICHEVER IS LOWER. (Ta=20°C)

3. STORAGE TEMPERATURE RANGE : -40°C ~ +100°C

OPERATING TEMPERATURE RANGE: -40°C ~ +100°C (INCLUDING SELF TEMPERATURE RISE)