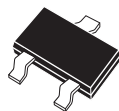


CMCS5062  
CMCS5064  
CMCS5066

**SURFACE MOUNT  
SILICON CONTROLLED RECTIFIER**



**SC-59 CASE**

# Central<sup>TM</sup> Semiconductor Corp.

## DESCRIPTION:

The CENTRAL SEMICONDUCTOR CMCS5062, CMCS5064 and CMCS5066 types are epoxy molded PNP Silicon Controlled Rectifiers manufactured in an SC-59 case, designed for control systems and sensing circuit applications.

**MARKING CODES:** CMCS5062: CP2B  
CMCS5064: CP2D  
CMCS5066: CP2F

## MAXIMUM RATINGS: ( $T_A=25^\circ\text{C}$ )

	SYMBOL	CMCS5062	CMCS5064	CMCS5066	UNITS
Peak Repetitive Off-State Voltage	$V_{DRM}$	200	400	600	V
Peak Repetitive Reverse Voltage	$V_{RRM}$	200	400	600	V
RMS On-State Current	$I_T(RMS)$		0.8		A
Average On-State Current ( $T_C=67^\circ\text{C}$ )	$I_T(AV)$		0.51		A
Power Dissipation	$P_D$		350		mW
Operating and Storage					
Junction Temperature	$T_J, T_{stg}$		-65 to +150		$^\circ\text{C}$
Thermal Resistance	$\theta_{JA}$		357		$^\circ\text{C/W}$

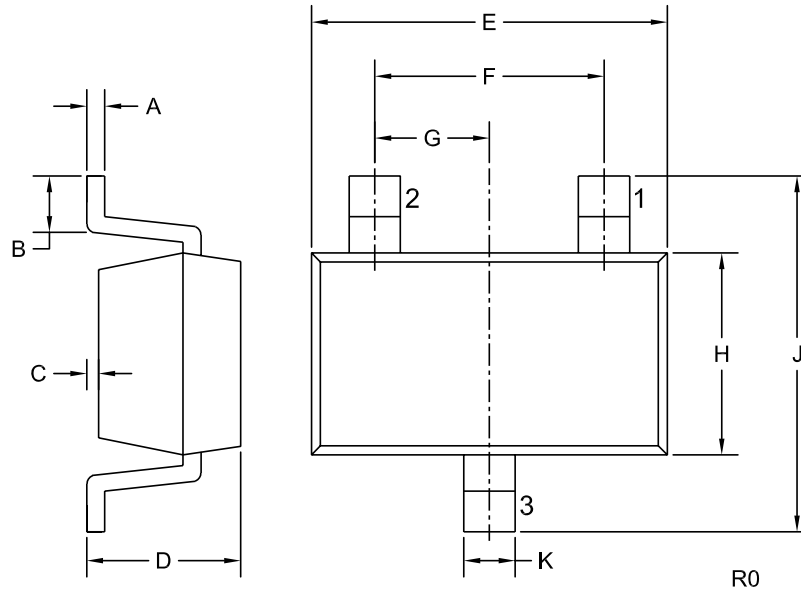
## ELECTRICAL CHARACTERISTICS: ( $T_A=25^\circ\text{C}$ unless otherwise noted)

SYMBOL	TEST CONDITIONS	CMCS5062		CMCS5064		CMCS5066		UNITS
		MIN	MAX	MIN	MAX	MIN	MAX	
$I_{DRM}$	$V_D = \text{Rated } V_{DRM}, R_{GK} = 1\text{K}\Omega$		1.0		1.0		1.0	$\mu\text{A}$
$I_{RRM}$	$V_D = \text{Rated } V_{DRM}, R_{GK} = 1\text{K}\Omega$		1.0		1.0		1.0	$\mu\text{A}$
$I_{DRM}$	$V_D = \text{Rated } V_{DRM}, R_{GK} = 1\text{K}\Omega, T_C = 125^\circ\text{C}$		50		50		50	$\mu\text{A}$
$I_{RRM}$	$V_D = \text{Rated } V_{DRM}, R_{GK} = 1\text{K}\Omega, T_C = 125^\circ\text{C}$		50		50		50	$\mu\text{A}$
$V_T$	$I_T = 1.2\text{A}$		1.7		1.7		1.7	V
$I_{GT}$	$V_D = 7.0\text{V}, R_L = 100\Omega, R_{GK} = 1\text{K}\Omega$		200		200		200	$\mu\text{A}$
$V_{GT}$	$V_D = 7.0\text{V}, R_L = 100\Omega, R_{GK} = 1\text{K}\Omega$		0.8		0.8		0.8	V
$V_{GD}$	$V_D = \text{Rated } V_{DRM}, R_L = 100\Omega, T_C = 125^\circ\text{C}$	0.1		0.1		0.1		V
$I_H$	$V_D = 7.0, R_{GK} = 1\text{K}\Omega$		5.0		5.0		5.0	mA
$t_{ON}$	$V_D = \text{Rated } V_{DRM}, I_{GT} = 1.0\text{mA}, R_{GK} = 1.0\Omega,$ $di/dt = 6.0\text{A}/\mu\text{s}$		2.8 TYP		2.8 TYP		2.8 TYP	$\mu\text{s}$

R0 (7-March 2005)

**SURFACE MOUNT  
SILICON CONTROLLED RECTIFIER**

**MECHANICAL OUTLINE - SC-59**



DIMENSIONS				
SYMBOL	INCHES		MILLIMETERS	
	MIN	MAX	MIN	MAX
A	0.004	0.010	0.09	0.26
B	0.008	0.024	0.20	0.60
C	0.000	0.004	0.00	0.10
D	0.035	0.051	0.90	1.30
E	0.106	0.122	2.70	3.10
F	0.075		1.90	
G	0.037		0.95	
H	0.051	0.067	1.30	1.70
J	0.098	0.118	2.50	3.00
K	0.014	0.020	0.35	0.50

SC-59 (REV: R0)

**LEAD CODE:**

- 1) CATHODE
- 2) GATE
- 3) ANODE

**MARKING CODES:**

- CMCS5062: CP2B
- CMCS5064: CP2D
- CMCS5066: CP2F