

### Overview

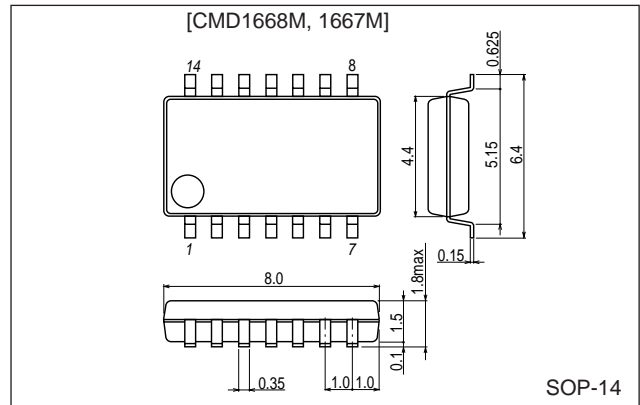
The CMD1668M Series are 2-phase unipolar drive brushless motor drivers that feature a wide usable voltage range and a minimal number of required external components. They also support the formation of motor lock protection and automatic recovery circuits.

### Functions and Features

- Output protection Zener diodes with variable breakdown voltages
  - When the Z1 and Z2 pins are open:  $V_{OLM} = 57\text{ V}$
  - When the Z1 and Z2 pins are shorted:  $V_{OLM} = 32\text{ V}$
  - An external Zener diode can be connected between Z1 and  $V_{CC}$ .
- Can support both 12-V and 24-V power supplies by changing an external resistor.
- Hall elements can be connected directly.
- 1.5-A output current output transistors built in
- Built-in rotation detection function that outputs low when driven and high when stopped (CMD1668M)
- FG signal function that sets FG high when IN- is low, and sets FG low when IN- is high (CMD1667M)
- Motor lock protection and automatic recovery functions built in
- Thermal shutdown function

### Package Dimensions

unit: mm



\* All specs and applications shown above subject to change without prior notice.

### Specifications

#### Absolute Maximum Ratings at Ta = 25°C

Parameter	Symbol	Conditions	Ratings	Unit
Maximum input current	I <sub>CC</sub> max	t ≤ 20 ms	200	mA
Output voltage	V <sub>OUT</sub>		Internal	V
Output current	I <sub>OUT</sub>		1.5	A
Output minus current	I <sub>OM</sub>		-50	mA
RD/FG influx current	I <sub>RD</sub> /I <sub>FG</sub>		10	mA
RD/FG voltage	V <sub>RD</sub> /V <sub>FG</sub>		30	V
Allowable power dissipation	Pd max	CMD1667M, 1668M: Mounted on a printed circuit board (20 × 15 × 1.5 mm <sup>3</sup> , glass epoxy)	0.8	W
Operating temperature	Topr		-30 to +80	°C
Storage temperature	Tstg		-55 to +150	°C

#### Allowable Operating Ranges at Ta = 25°C

Parameter	Symbol	Conditions	Ratings	Unit
Input current range	I <sub>CC</sub>		6.0 to 50	mA
Common-mode input voltage range	V <sub>ICM</sub>		0 to V <sub>IN</sub> - 1.5	V

#### Electrical Characteristics at Ta = 25°C, I<sub>CC</sub> = 10 mA

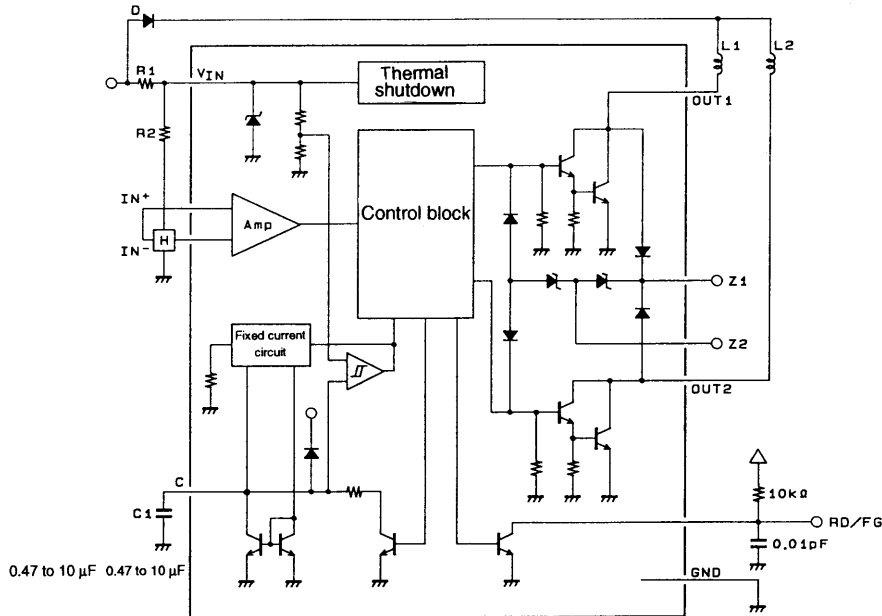
Parameter	Symbol	Conditions	Ratings			Unit
			min	typ	max	
Output limit voltage	V <sub>OLM1</sub>	Z1, Z2 open	54	57	60	V
	V <sub>OLM2</sub>	Z1, Z2 short	31	33	35	V
Output saturation voltage	V <sub>osat1</sub>	I <sub>O</sub> = 0.5 A		0.95	1.2	V
	V <sub>osat2</sub>	I <sub>O</sub> = 1.0 A		1.15	1.5	V
	V <sub>osat3</sub>	I <sub>O</sub> = 1.5 A		1.4	2.0	V
V <sub>IN</sub> voltage	V <sub>IN</sub>	I <sub>CC</sub> = 7.0 mA	6.4	6.7	7.0	V
Amplifier input offset voltage	V <sub>OFF</sub>		-7.0	0	+7.0	mV
Amplifier input bias current	I <sub>BA</sub>		-250			nA
RD output saturation voltage	V <sub>RDsat</sub>	I <sub>RD</sub> = 5 mA*		0.1	0.3	V
FG output saturation voltage	V <sub>FG sat</sub>	I <sub>FG</sub> = 5 mA*		0.1	0.3	V
C outflow current	I <sub>C1</sub>		2.1	3.0	3.9	μA
C discharge current	I <sub>C2</sub>		0.31	0.44	0.59	μA
Comparator input threshold voltage	V <sub>TH1</sub>		0.77	0.8V <sub>IN</sub>	0.83	V
	V <sub>TH2</sub>		0.42	0.45V <sub>IN</sub>	0.48	V
Thermal shutdown current operating temperature	TSD	Design target value		180		°C
Thermal shutdown circuit hysteresis	ΔTSD	Design target value		40		°C

Note: \* RD output: CMD1668M, FG output: CMD1667M

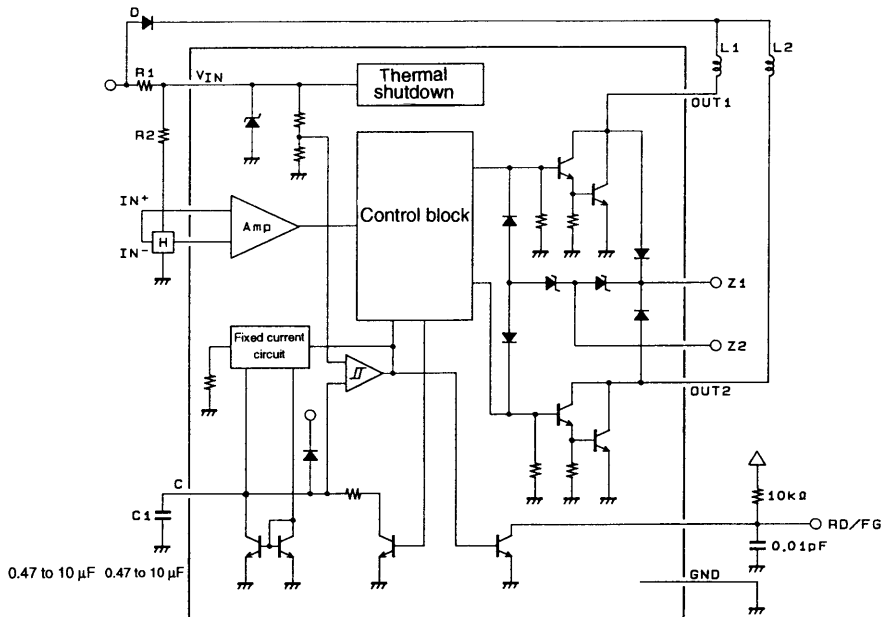
\* All specs and applications shown above subject to change without prior notice.

### Block Diagram and Application Circuit

• CMD1667M



• CMD1668M



### Truth Table (CMD1667M)

IN+	IN-	C	OUT1	OUT2	FG
H	L	L	H	L	H
L	H	L	L	H	L
H	L	H	H	H	H
L	H	H	H	H	H

### Truth Table (CMD1668M)

IN+	IN-	C	OUT1	OUT2	RD
H	L	L	H	L	L
L	H	L	L	H	L
H	L	H	H	H	H
L	H	H	H	H	H

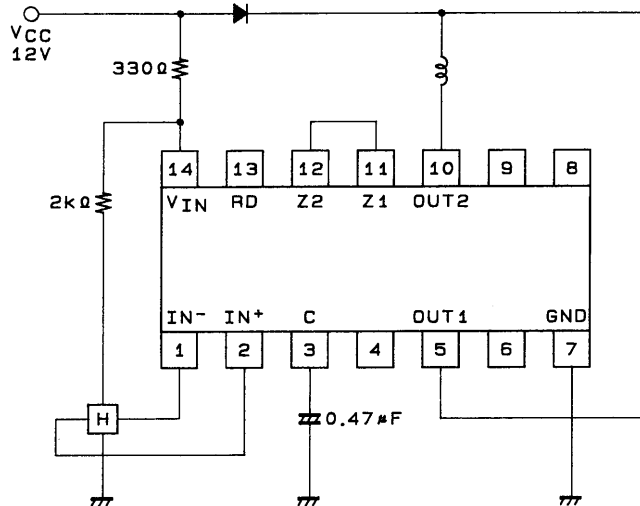
### Pin Assignments

14	13	12	11	10	9	8
VIN	RD	Z2	Z1	OUT2	NC	NC
<b>CMD1668M, CMD1667M</b>						
IN-	IN+	C	NC	OUT1	NC	GND
1	2	3	4	5	6	7

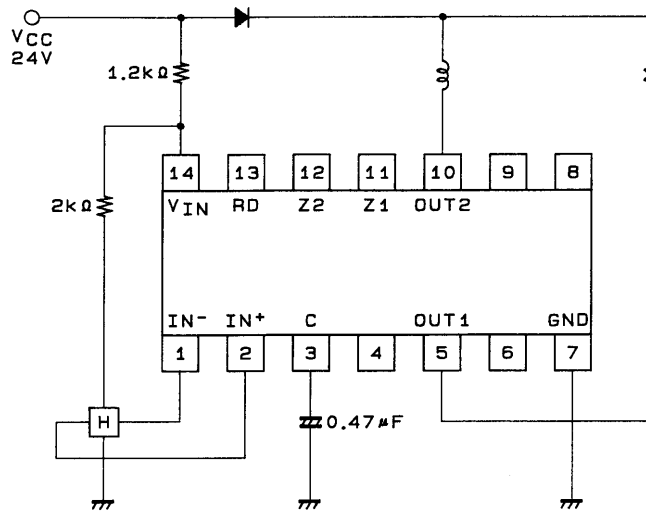
\* All specs and applications shown above subject to change without prior notice.

### CMD1668M Sample Application Circuits

- 12-V power supply type

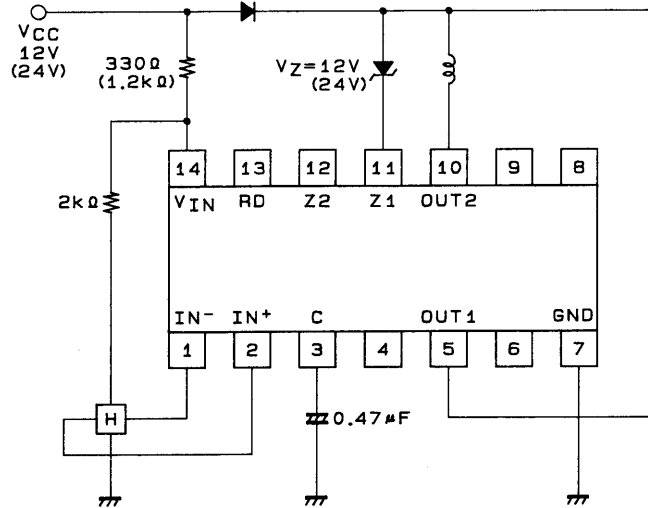


- 24-V power supply type



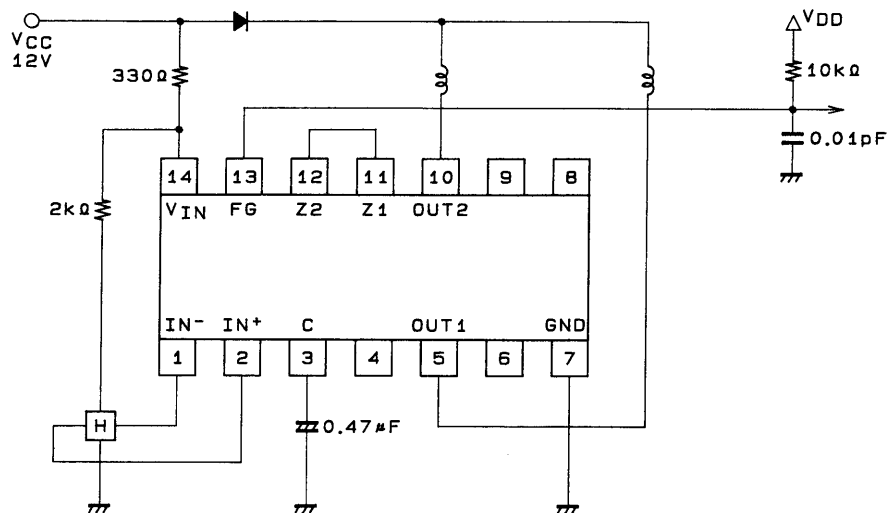
\* All specs and applications shown above subject to change without prior notice.

- Circuit for use when large output currents are required and heat dissipation is high.



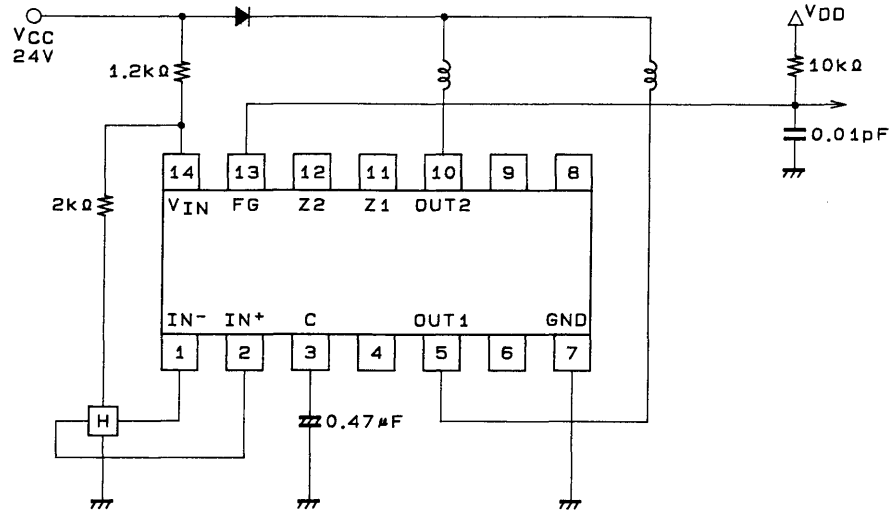
### CMD1667M Sample Application Circuits

- 12-V power supply type

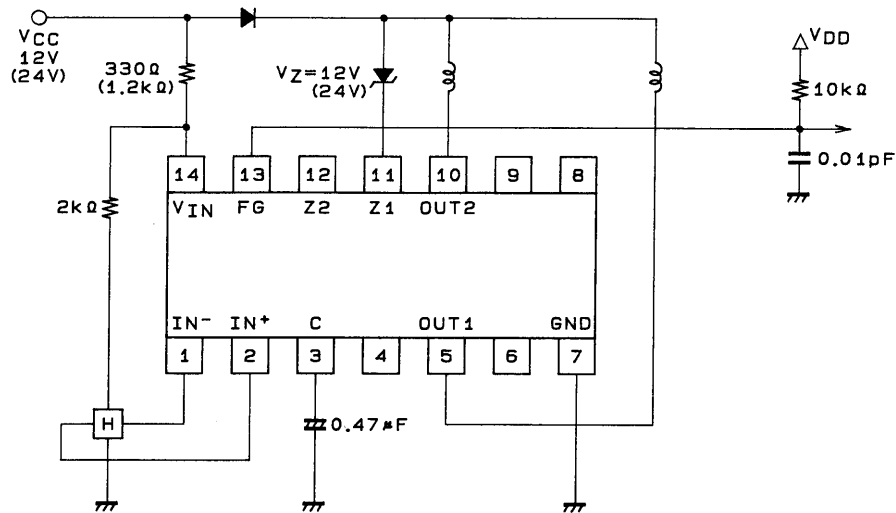


\* All specs and applications shown above subject to change without prior notice.

- 24-V power supply type



- Circuit for use when large output currents are required and heat dissipation is high.



\* All specs and applications shown above subject to change without prior notice.

## Two-Phase Unipolar Drive Brushless Motor Drivers

---

### Design Documentation (See the application circuit diagrams)

#### 1. Power-supply voltage ( $V_{IN}$ pin)

The resistor R1 (when  $V_{CC} = 12\text{ V}$   $R1 = 330\ \Omega$ , and when  $V_{CC} = 24\text{ V}$   $R1 = \text{about } 1.2\text{ k}\Omega$ ) is inserted between  $V_{IN}$  and the power supply  $V_{CC}$  pin. When the  $I_{CC}$  current is set in the range 6 to 50 mA, the  $V_{IN}$  pin will be regulated to be 6.7 V. Not only does this provide stability with respect to power-supply voltage variations and motor kickback, but it also provides adequate strength to withstand surges.

#### 2. Output transistors (OUT1 and OUT2 pins)

A Zener diodes with the following characteristics is inserted between the collector and base of each output transistor to absorb kickback voltages at 57 V (typical) and provide output protection.

Sustained output voltage :  $V_O = 65\text{ V}$  minimum (design guarantee)

Output current :  $I_O = 1.5\text{ A}$  maximum

Output saturation voltage :  $V_O \text{ sat} = 1.25\text{ V}/1.0\text{ A}$  (typical)

Safe operating range :  $I_O = 1.0\text{ A}$ ,  $V_{OLM} = 57\text{ V}$ ,  $t = 200\ \mu\text{s}$

#### 3. Output circuit kickback voltage protection (Z1 and Z2 pins)

These ICs support output protection that minimizes kickback noise by changing the kickback absorption voltage and absorption method according to the output current and power-supply voltage used.

— When the Z1 and Z2 pins are shorted

The output protection voltage will be 32 V (typical) using a  $V_{CC} = 12\text{ V}$  power supply.

— When the Z1 and Z2 pins are open

The output protection voltage will be 57 V (typical) using a  $V_{CC} = 24\text{ V}$  power supply.

— With a Zener diode inserted between Z1 and  $V_{CC}$  or between Z1 and ground

This technique handles 120 mm H speed applications which require large output currents and involve large amounts of heat generated in the IC by dissipating the motor coil switching loss in external Zener diodes.

#### 4. Output protection when the motor is lock (C, RD, and FG pins)

This circuit detects motor stopping due to, for example, overloading, and cuts the coil current. It also automatically recovers drive and motor turning from the output stopped state when the load returns to an appropriate level. The lock detection time is set with the value of an external capacitor.

When  $C = 0.47\ \mu\text{F}$

Lock detection time: about 1 second

Lock protection time (output on): about 0.5 second

(output off): about 3 seconds

The RD pin (CMD1668M) is an open collector output and outputs a low level during drive and a high level when stopped.

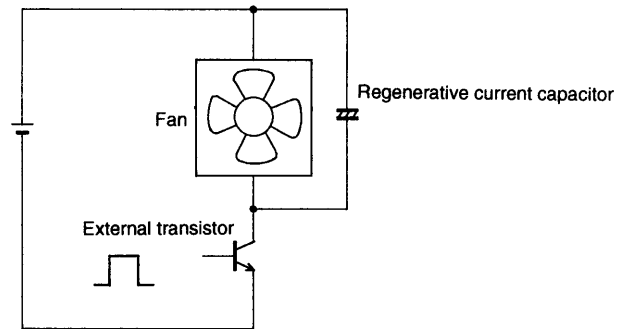
The FG pin (CMD1667M) is an open collector output and is switched between high and low by the drive phase. It goes to the high level when the motor is stopped.

#### 5. Thermal shutdown

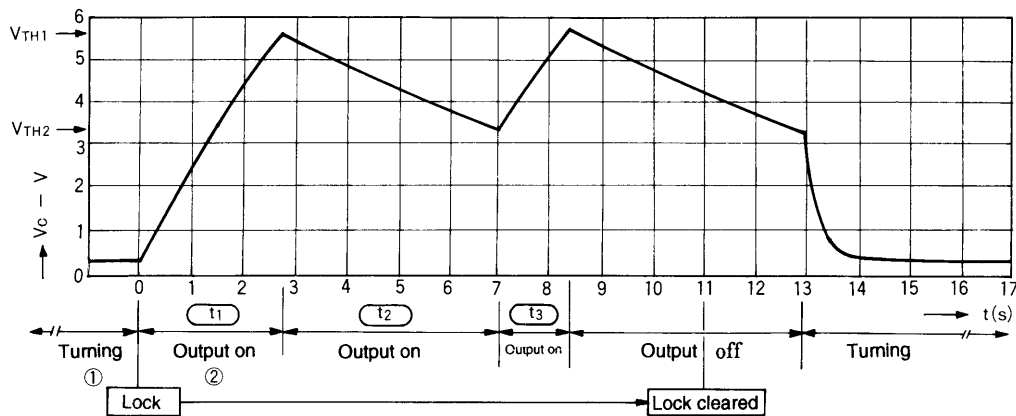
This circuit turns the output off in response to coil shorting or IC overheating.

#### 6. In applications that use an external transistor to turn the cooling fan power on and off, connect a capacitor of about 0.47 to 10 $\mu\text{F}$ between the fan power supply $V_{CC}$ and ground to provide a regenerative route for the fan motor coil current.

\* All specs and applications shown above subject to change without prior notice.



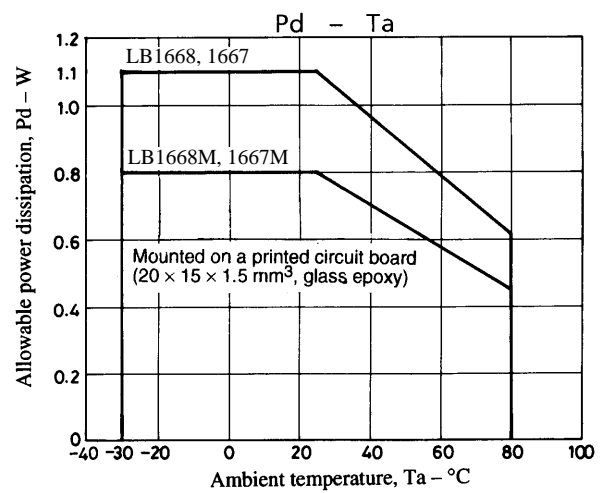
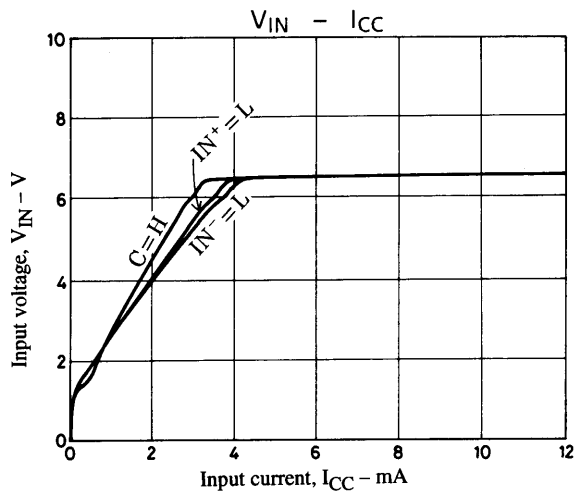
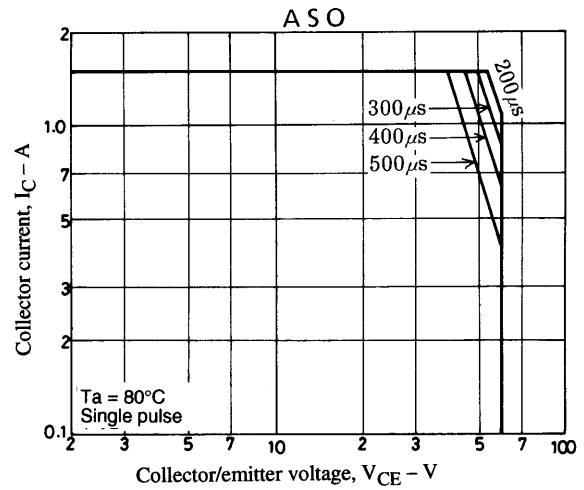
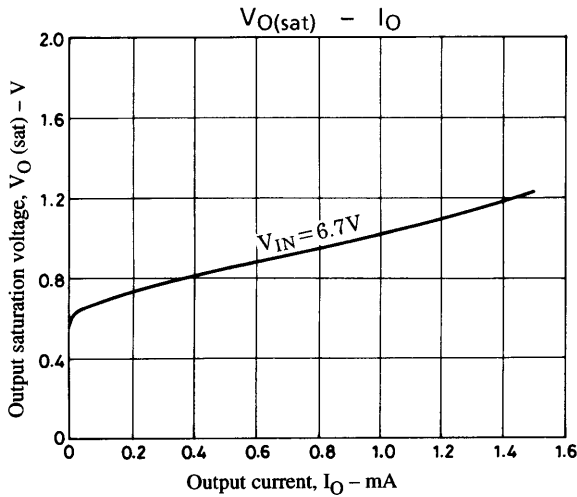
### Automatic Recovery Circuit C-Pin Voltage



1. While the blades are turning, the capacitor is charged with a current of about 3  $\mu$ A (typical), and C is discharged by pulses that correspond to the motor speed.
2. When the blades lock, the capacitor is no longer discharged, and the voltage across the capacitor increases. The output is turned off when that voltage reaches  $0.8 \times V_{IN}$ .
3. When the output is turned off, the capacitor is discharged at about 0.44  $\mu$ A (typical). When the capacitor voltage falls under  $V_{TH2}$ , if the lock state is not yet cleared the capacitor continues discharging until  $V_{TH1}$ . (Note that the output is turned on at this time.) These operations, i.e. items 2. and 3., are repeated with a ton:toff ratio of about 1:6 to protect the motor.
4. If the lock is cleared at the point the capacitor voltage reaches  $V_{TH2}$ , motor rotation is started by turning the output on.

\* All specs and applications shown above subject to change without prior notice.





\* All specs and applications shown above subject to change without prior notice.