

# 2.00mm (0.079") PITCH CONNECTOR

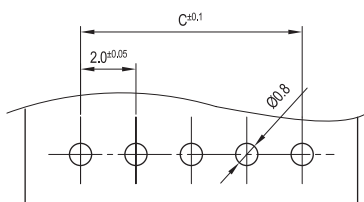
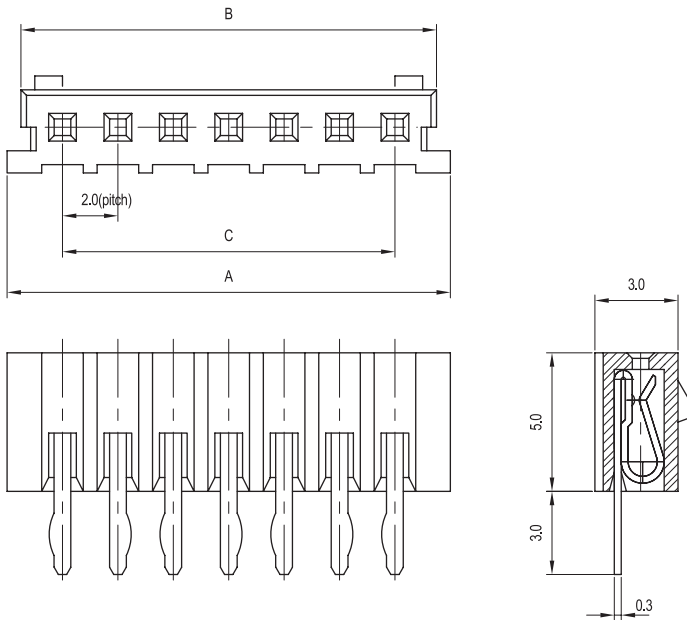
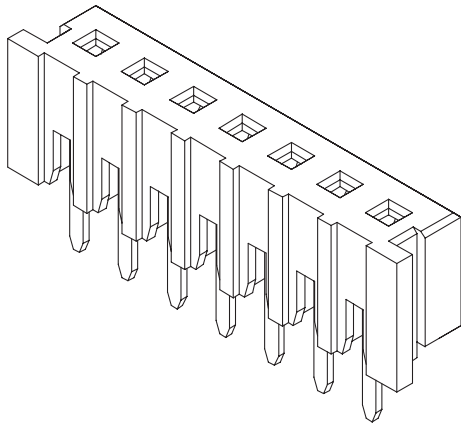


**Board-to-Board  
Housing**

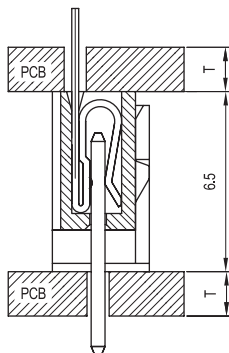
**BMH200-NNS Series**

**DIP**

**Straight**



PCB LAYOUT



PCB ASS'Y

## Material

I/NO	DESCRIPTION	TITLE	MATERIAL
1	HOUSING	BMH200-NNS	PA66, UL 94V Grade
2	PIN	BMT200	Phosphor Bronze & Tin-Plated

## Available Pin

PARTS NO.	DIM. A	DIM. B	DIM. C
BMH200-02S	6.8	5.0	2.0
BMH200-03S	8.0	7.0	4.0
BMH200-04S	10.0	9.0	6.0
BMH200-05S	12.0	11.0	8.0
BMH200-06S	14.0	13.0	10.0
BMH200-07S	16.0	15.0	12.0
BMH200-08S	18.0	17.0	14.0
BMH200-09S	20.0	19.0	16.0
BMH200-10S	22.0	21.0	18.0
BMH200-11S	24.0	23.0	20.0
BMH200-12S	26.0	25.0	22.0
BMH200-13S	28.0	27.0	24.0
BMH200-14S	30.0	29.0	26.0
BMH200-15S	32.0	31.0	28.0
BMH200-16S	34.0	33.0	30.0
BMH200-17S	36.0	35.0	32.0
BMH200-18S	38.0	37.0	34.0
BMH200-19S	40.0	39.0	36.0
BMH200-20S	42.0	41.0	38.0

## Specification

ITEM	SPEC
Voltage Rating	AC/DC 250V
Current Rating	AC/DC 1.5A
Operating Temperature	-25°C~+85°C
Contact Resistance	30mΩ MAX
Withstanding Voltage	AC500V/1min
Insulation Resistance	1000MΩ MIN
Applicable Wire	-
Applicable P.C.B	1.2~1.6mm
Applicable FPC/FFC	-
Solder Height	-
Crimp Tensile Strength	-
UL FILE NO	E108706