

2.00mm (0.079") PITCH CONNECTOR

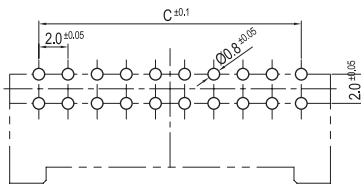
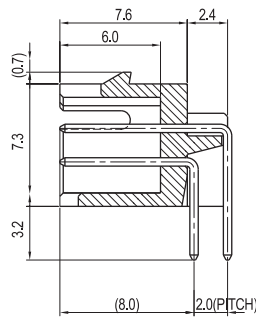
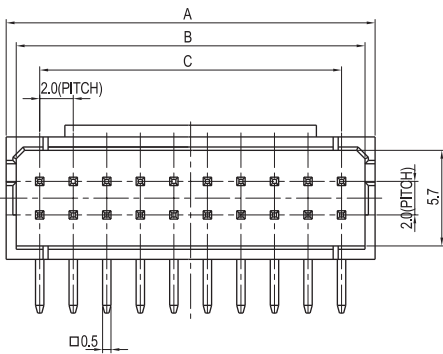
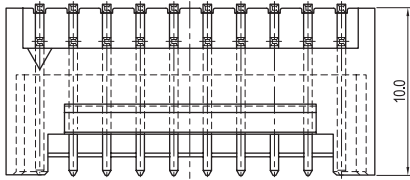
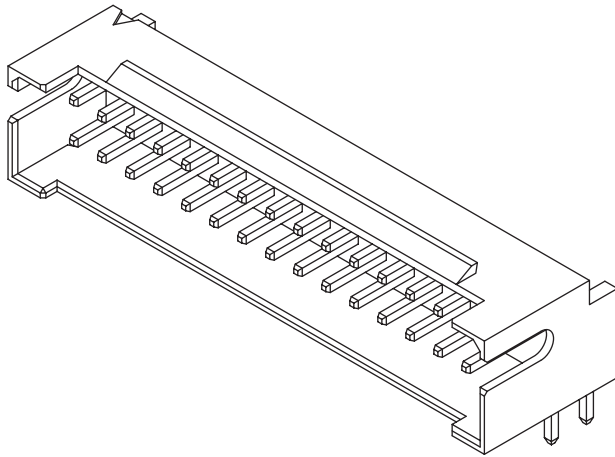


**Board-to-Board
Wafer**

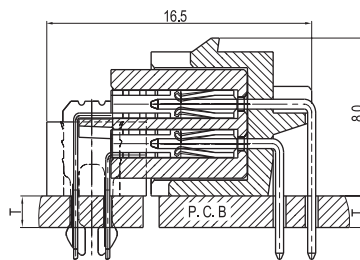
SMAW200-NND Series

DIP

Right Angle



PCB LAYOUT



PCB ASS'Y

Material

I/NO	DESCRIPTION	TITLE	MATERIAL
1	WAFER	SMAW200-NND	PBT, UL 94V Grade
2	PIN		Brass, Tin-plated

Available Pin

PARTS NO.	A	B	C
SMAW200 - 14D	16.0	14.8	12.0
SMAW200 - 16D	18.0	16.8	14.0
SMAW200 - 18D	20.0	18.8	16.0
SMAW200 - 20D	22.0	20.8	18.0
SMAW200 - 22D	24.0	22.8	20.0
SMAW200 - 24D	26.0	24.8	22.0
SMAW200 - 26D	28.0	26.8	24.0
SMAW200 - 28D	30.0	28.8	26.0
SMAW200 - 30D	32.0	30.8	28.0
SMAW200 - 32D	34.0	32.8	30.0
SMAW200 - 34D	36.0	34.8	32.0
SMAW200 - 36D	38.0	36.8	34.0
SMAW200 - 38D	40.0	38.8	36.0
SMAW200 - 40D	42.0	40.8	38.0

Specification

ITEM	SPEC
Voltage Rating	AC/DC 250V
Current Rating	AC/DC 3A
Operating Temperature	-25°C~+85°C
Contact Resistance	30mΩ MAX
Withstanding Voltage	AC1000V/1min
Insulation Resistance	1000MΩ MIN
Applicable Wire	-
Applicable P.C.B	1.2~1.6mm
Applicable FPC/FFC	-
Solder Height	-
Crimp Tensile Strength	-
UL FILE NO	-