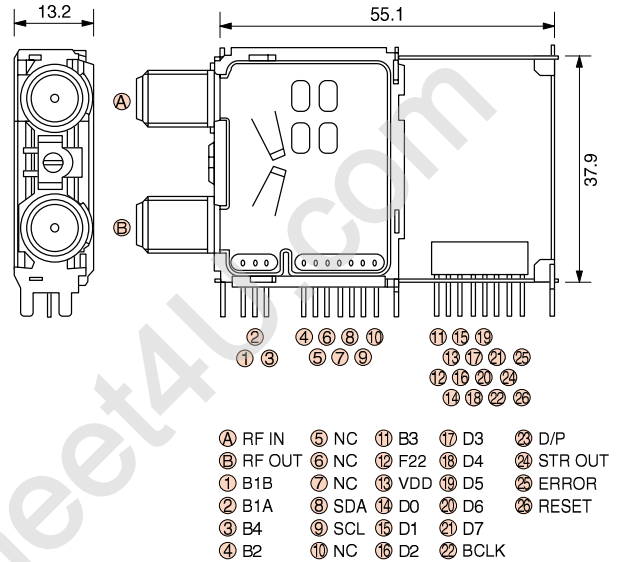


DBS Front-end Unit with a Built-in QPSK Demodulator for Receiving Digital Satellite Broadcasts Worldwide

Features

- The LINK integrated type is equipped with a second-generation direct conversion IC, developed by SHARP.
 - (The second-generation direct conversion IC was developed as a new Z-IF IC, which adds a VCO circuit to the first-generation IC.)
- Compact (Volume: 19% smaller than the conventional models)
- Low power consumption (1.0 W)
- A tuning voltage (30 V) is no longer required.
- Low-price design
 - Low cost due to the elimination of 30 parts, compared with conventional models
- Various types are available, such as an I/Q output type, horizontal type, and through output type.

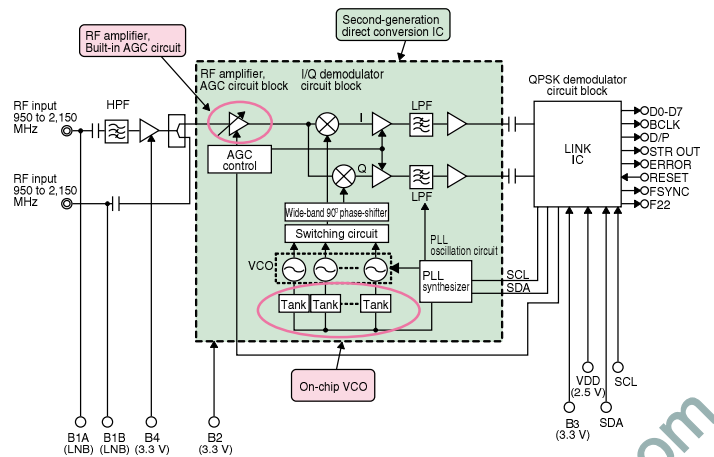
Outline Dimensions (Unit: mm)



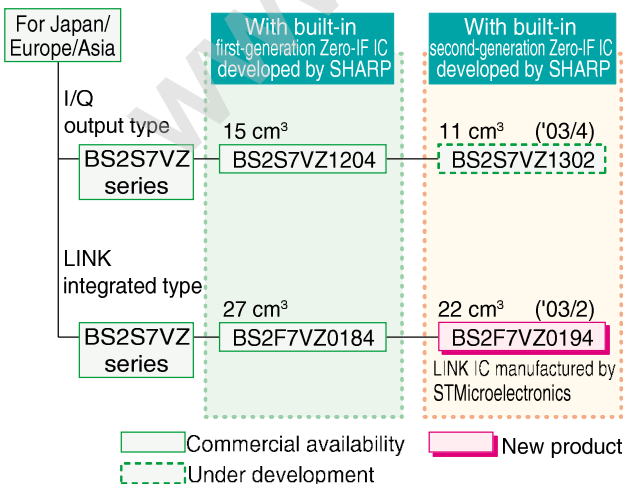
Specifications

Receiving frequency	950 to 2,150 MHz
Circuit type	Direct conversion
Number of parts	90 pcs.
Power consumption	1.0 W
Supply voltage	3.3 V, 2.5 V
Outline dimension (Internal volume)	37.9 × 55.1 × 13.2 mm (22 cm ³)

Block Diagram



Line-up of Digital DBS Front-End Units



Notice:

- In the absence of confirmation by device specification sheets, SHARP takes no responsibility for any defects that may occur in equipment using any SHARP devices shown in catalogs, data books, etc. Contact SHARP in order to obtain the latest device specification sheets before using any SHARP devices.
- Specifications, model names and availabilities are subject to change without notice for improvement.