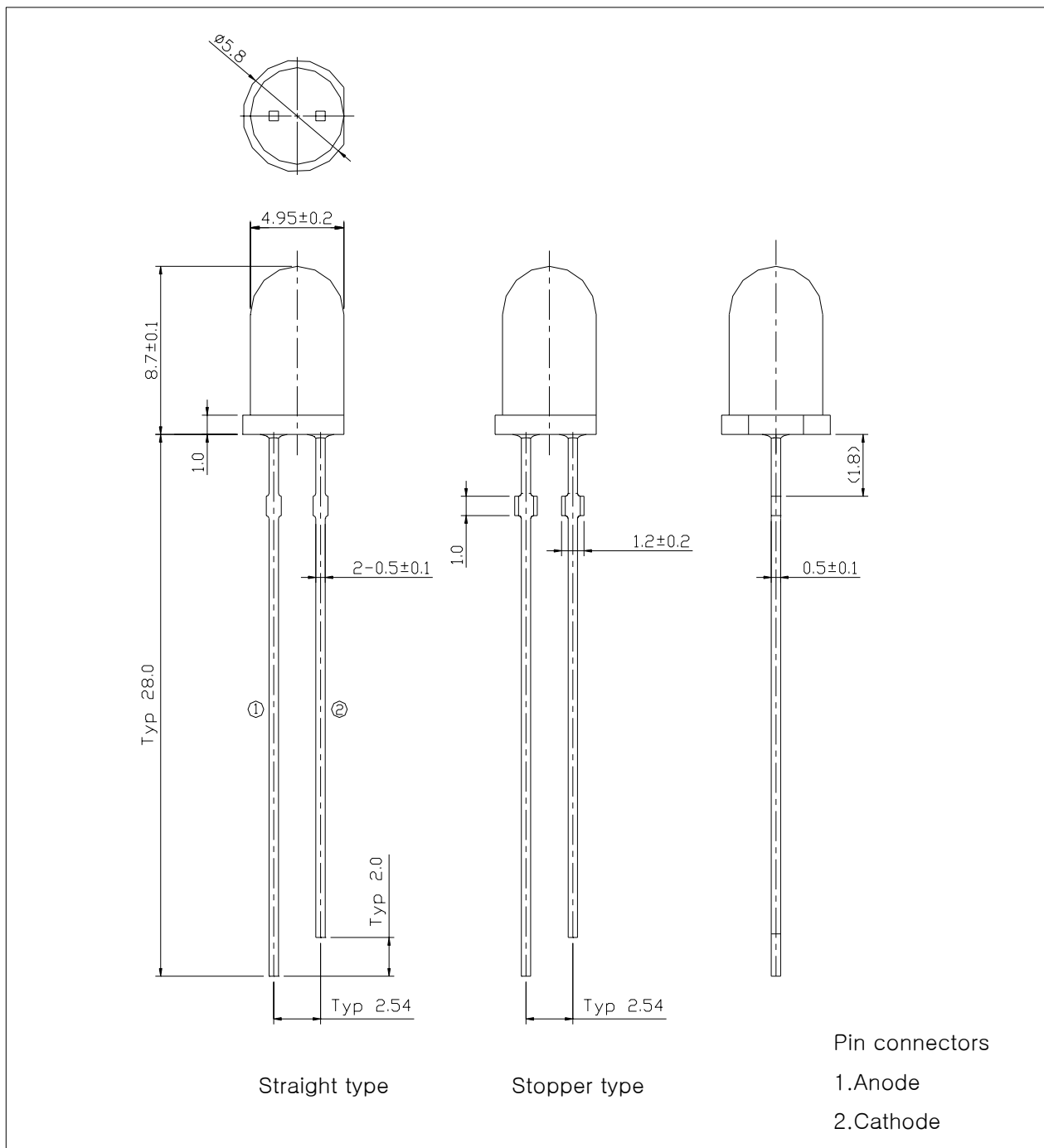


### ■ Features

- Colorless transparency lens type
- $\phi 5\text{mm}$ (T-1 $\frac{3}{4}$ ) all plastic mold type
- High Luminosity

### ■ Outline dimensions

(unit : mm)



## ■ Absolute Maximum Ratings

(Ta=25°C)

Characteristic	Symbol	Ratings	Unit
Power dissipation	$P_D$	75	mW
Forward Current	$I_F$	30	mA
* <sup>1</sup> Peak Forward Current	$I_{FP}$	100	mA
Reverse Voltage	$V_R$	5	V
Operating Temperature	$T_{opr}$	-30 ~ +85	°C
Storage Temperature	$T_{stg}$	-40 ~ +100	°C
* <sup>2</sup> Soldering Temperature	$T_{sol}$	260°C for 3 seconds	

\*1. Duty ratio = 1/16, Pulse width = 0.1ms

\*2. Keep the distance more than 2.0mm from PCB to the bottom of LED package

## ■ Electrical – Optical Characteristics

(Ta=25°C)

Characteristic	Symbol	Test Condition	Min.	Typ.	Max.	Unit
Forward Voltage	$V_F$	$I_F=20\text{mA}$	-	2.1	2.7	V
Dominant Wavelength	$\lambda_P$	$I_F=20\text{mA}$	-	592	-	nm
Spectrum Bandwidth	$\Delta\lambda$	$I_F=20\text{mA}$	-	15	-	nm
Reverse Current	$I_R$	$V_R=5\text{V}$	-	-	10	uA
* <sup>3</sup> Half Angle	$\theta_{1/2}$	$I_F=20\text{mA}$	-	±15	-	deg

\*3.  $\theta_{1/2}$  is the off-axis angle where the luminous intensity is 1/2 the peak intensity

**■ Luminous intensity ranks**

(Ta=25°C)

Iv RANK	Test Condition	Min.	Typ.	Max.	Unit
O	I <sub>F</sub> = 20mA	850	–	1200	mcd
P		1200	–	1700	
Q		1700	–	2400	
R		2400	–	3400	

\* Luminous intensity is tested at a current pulse duration of 25 ms and an accuracy of ±11%.

Intensity Measured : 0.01sr(CIE. LED\_B)

**■ Precautions On LED using**

\* To avoid optical difference, Please do not mix differently-ranked product.

■ Characteristic Diagrams

Fig.1  $I_F$ - $V_F$

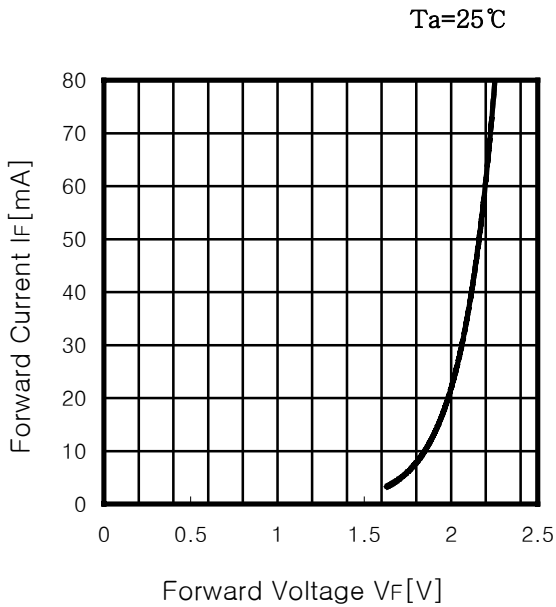


Fig.2  $I_v$ - $I_F$

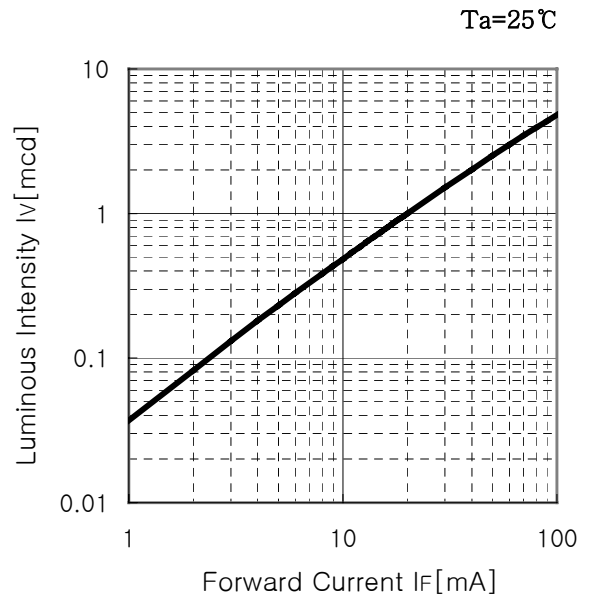


Fig.3 Max. Permissible Forward Current

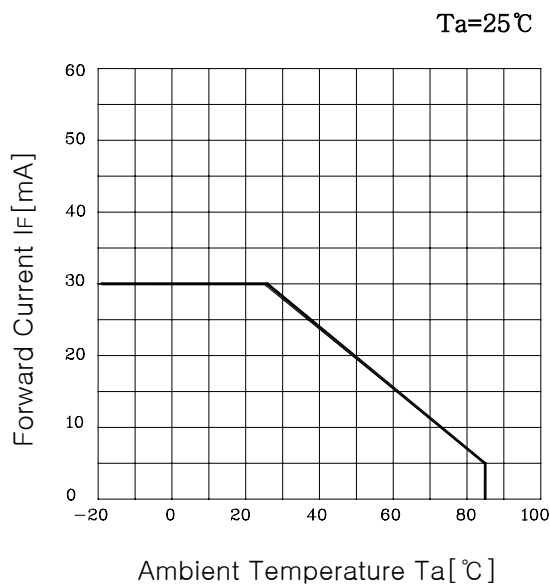


Fig.4 Spectrum Distribution

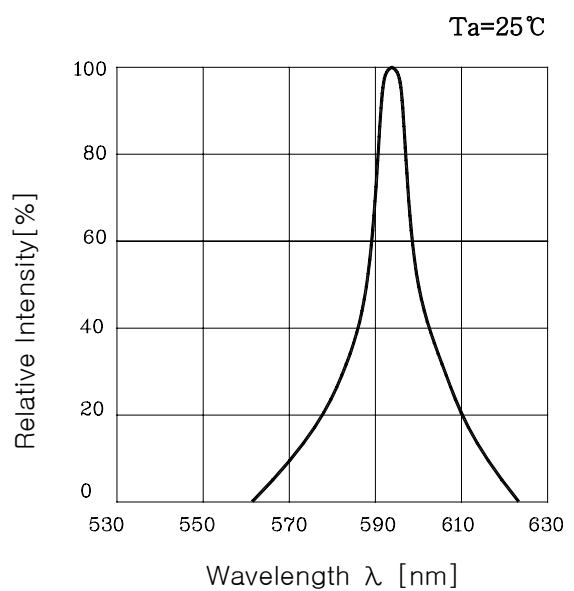
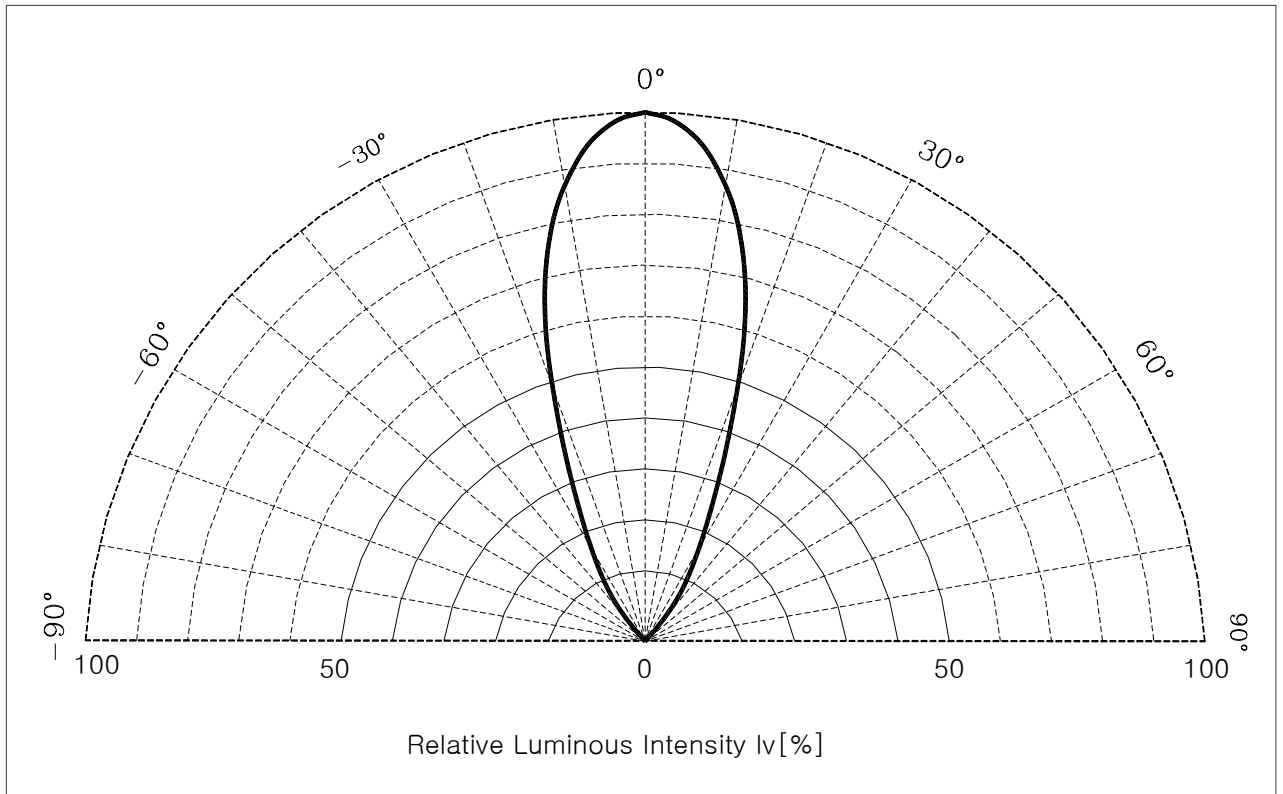


Fig. 5 Radiation Diagram



■ Revision history sheet

Spec NO.			
Title	Specification for Approval		
Times	Date	Summary of revision	Remarks
1	2001. 07. 15	신규제정	
2	2003. 02. 26	Format 변경	