

SANYO	No.4579	2SC4854
		NPN Epitaxial Planar Silicon Transistor Low-Voltage, Low-Current High-Frequency Amp Applications

Features

- Low-voltage, low-current operation : $f_T = 5\text{GHz typ.}$
($V_{CE} = 1\text{V}, I_C = 1\text{mA}$) : $|S_{21e}|^2 = 7\text{dB typ (} f = 1\text{GHz)}$.
: $\text{NF} = 2.6\text{dB typ (} f = 1\text{GHz)}$.

Absolute Maximum Ratings at $T_a = 25^\circ\text{C}$

			unit
Collector to Base Voltage	V_{CBO}	12	V
Collector to Emitter Voltage	V_{CEO}	6	V
Emitter to Base Voltage	V_{EBO}	1.5	V
Collector Current	I_C	15	mA
Collector Dissipation	P_C	80	mW
Junction Temperature	T_j	150	$^\circ\text{C}$
Storage Temperature	T_{stg}	-55 to +150	$^\circ\text{C}$

Electrical Characteristics at $T_a = 25^\circ\text{C}$

			min	typ	max	unit
Collector Cutoff Current	I_{CBO}	$V_{CB} = 5\text{V}, I_E = 0$			1.0	μA
Emitter Cutoff Current	I_{EBO}	$V_{EB} = 1\text{V}, I_C = 0$			10	μA
DC Current Gain	h_{FE}	$V_{CE} = 1\text{V}, I_C = 1\text{mA}$	60*		270*	
Gain-Bandwidth Product	f_T	$V_{CE} = 1\text{V}, I_C = 1\text{mA}$		5		GHz
Output Capacitance	C_{ob}	$V_{CB} = 1\text{V}, f = 1\text{MHz}$		0.6	1.0	pF
Forward Transfer Gain	$ S_{21e} ^2(1)$	$V_{CE} = 1\text{V}, I_C = 1\text{mA}, f = 1\text{GHz}$	4.5	7		dB
	$ S_{21e} ^2(2)$	$V_{CE} = 2\text{V}, I_C = 3\text{mA}, f = 1\text{GHz}$		10.5		dB
Noise Figure	NF(1)	$V_{CE} = 1\text{V}, I_C = 1\text{mA}, f = 1\text{GHz}$		2.6	4.5	dB
	NF(2)	$V_{CE} = 2\text{V}, I_C = 3\text{mA}, f = 1\text{GHz}$		1.9		dB

* : The 2SC4854 is classified by 1mA h_{FE} as follows :

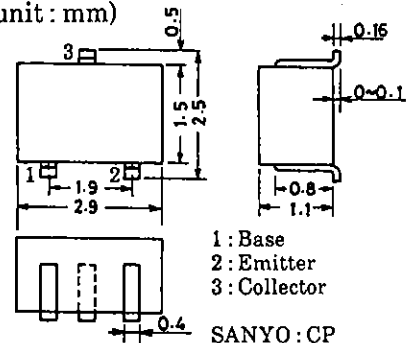
60	3	120	90	4	180	135	5	270
----	---	-----	----	---	-----	-----	---	-----

Marking : CN

h_{FE} rank : 3, 4, 5

Package Dimensions 2018B

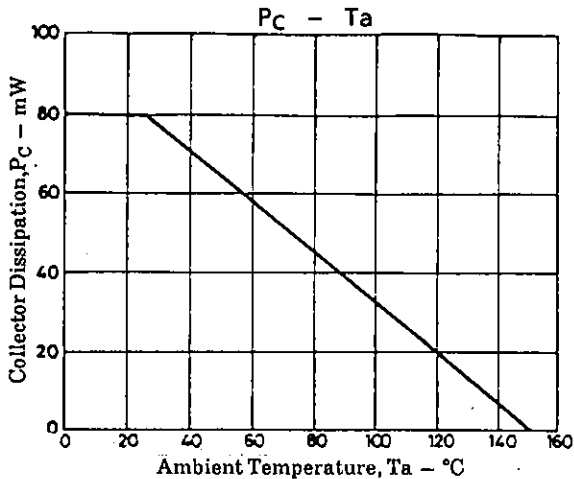
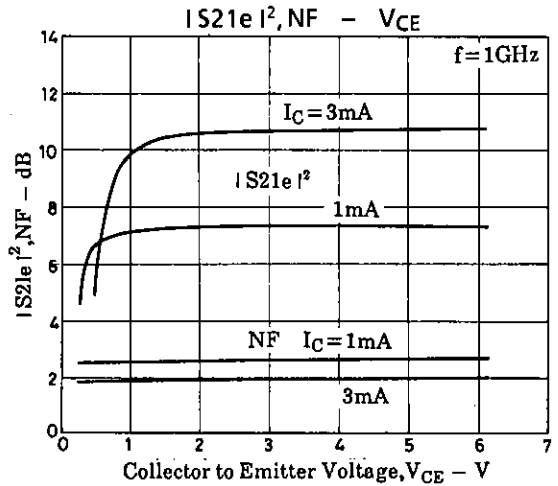
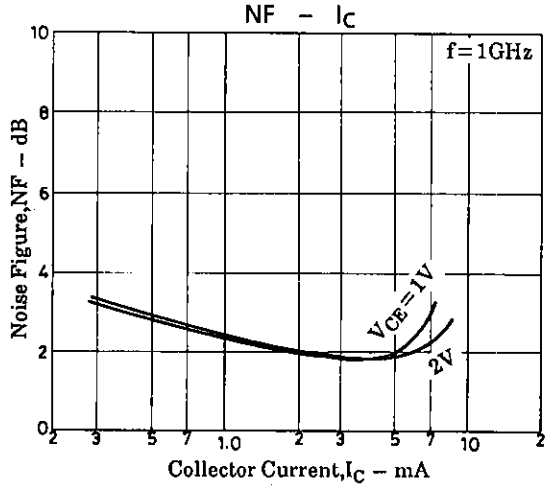
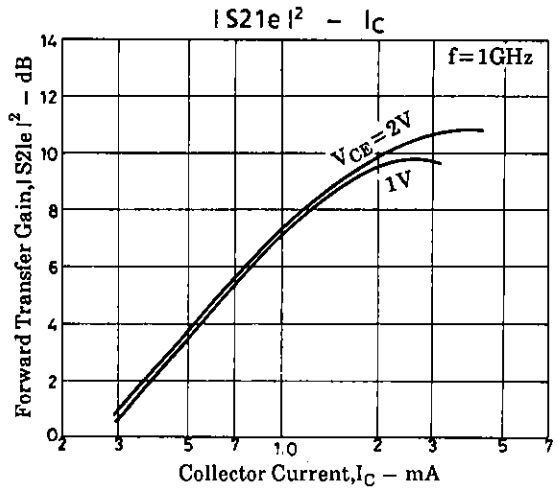
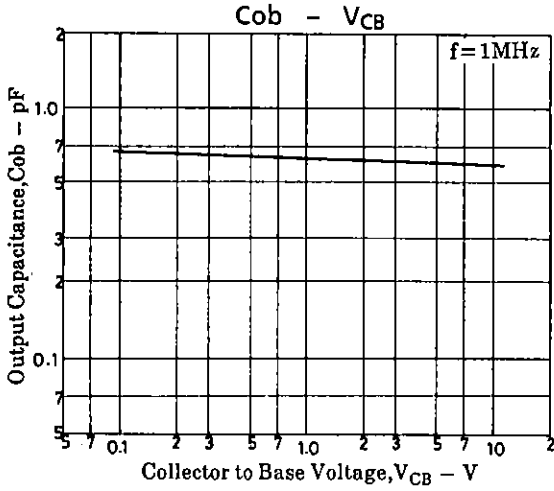
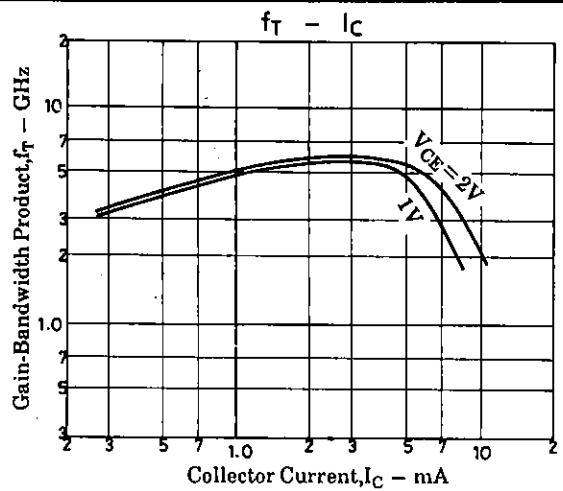
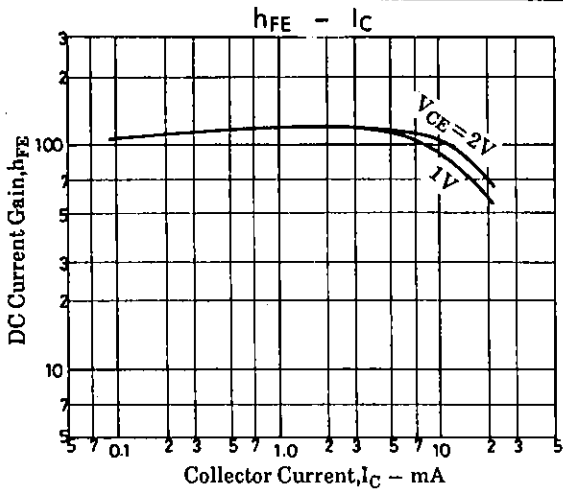
(unit: mm)



SANYO Electric Co., Ltd. Semiconductor Business Headquarters

TOKYO OFFICE Tokyo Bldg., 1-10, 1 Chome, Ueno, Taito-ku, TOKYO, 110 JAPAN

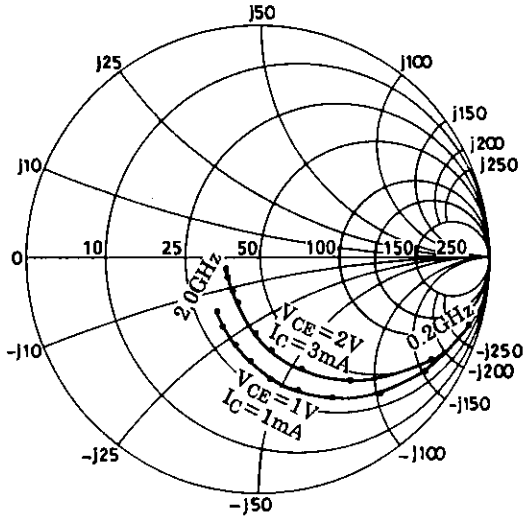
41894HO (KOTO) AX-9521 No.4579-1/4



S Parameter

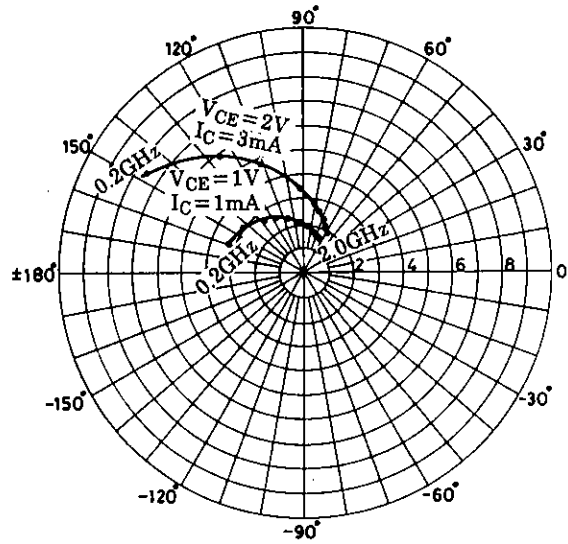
S11e

f=200~2000MHz (200MHz step)



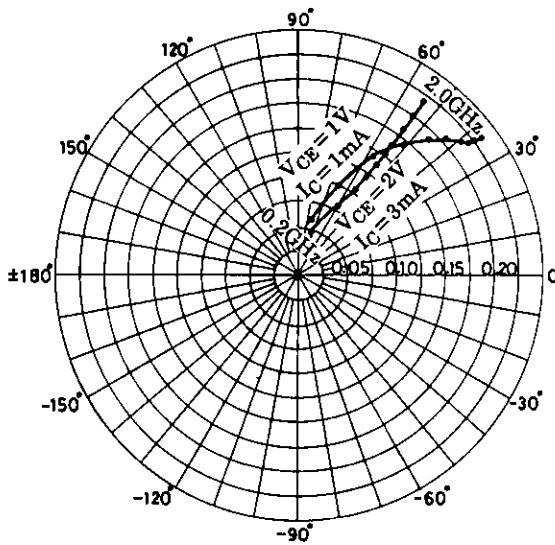
S21e

f=200~2000MHz (200MHz step)



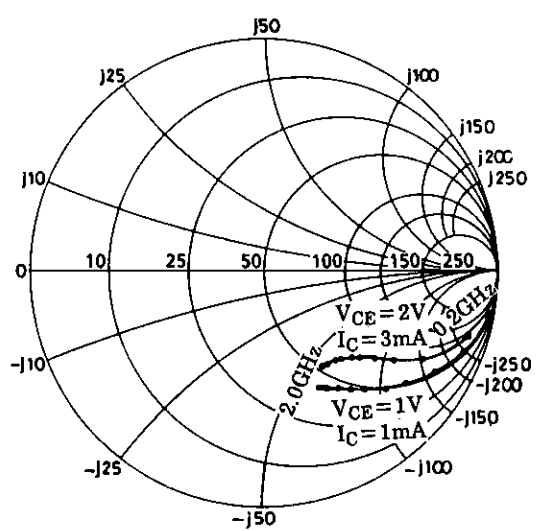
S12e

f=200~2000MHz (200MHz step)



S22e

f=200~2000MHz (200MHz step)



S Parameter (Common emitter)

 $V_{CE}=1V, I_C=1mA, Z_0=50\Omega$

Freq (MHz)	$ S_{11} $	$\angle S_{11}$	$ S_{21} $	$\angle S_{21}$	$ S_{12} $	$\angle S_{12}$	$ S_{22} $	$\angle S_{22}$
200	0.934	-18.2	3.251	158.9	0.057	76.7	0.965	-12.3
400	0.847	-34.7	3.003	142.1	0.105	66.2	0.904	-23.0
600	0.761	-48.9	2.680	128.3	0.142	57.9	0.835	-31.7
800	0.659	-62.8	2.524	114.7	0.169	51.4	0.765	-38.8
1000	0.576	-74.5	2.283	103.7	0.191	46.0	0.717	-44.7
1200	0.509	-85.9	2.078	93.7	0.204	42.3	0.658	-50.1
1400	0.432	-96.9	1.922	84.6	0.214	39.3	0.625	-54.5
1600	0.377	-107.6	1.785	76.2	0.219	37.3	0.591	-58.5
1800	0.332	-120.7	1.680	69.1	0.225	37.1	0.566	-62.3
2000	0.297	-131.1	1.588	62.9	0.231	36.8	0.552	-65.2

 $V_{CE}=2V, I_C=3mA, Z_0=50\Omega$

Freq (MHz)	$ S_{11} $	$\angle S_{11}$	$ S_{21} $	$\angle S_{21}$	$ S_{12} $	$\angle S_{12}$	$ S_{22} $	$\angle S_{22}$
200	0.816	-31.3	7.561	147.5	0.049	71.7	0.903	-18.4
400	0.636	-53.9	5.976	125.9	0.081	61.2	0.763	-29.7
600	0.496	-70.3	4.789	111.3	0.102	57.0	0.663	-35.6
800	0.389	-83.8	3.976	99.3	0.120	55.4	0.593	-39.5
1000	0.318	-95.4	3.365	90.1	0.136	54.6	0.551	-43.0
1200	0.257	-108.4	2.940	81.9	0.153	54.3	0.523	-46.1
1400	0.212	-119.6	2.600	75.1	0.168	54.3	0.503	-49.4
1600	0.180	-133.1	2.340	68.5	0.183	54.1	0.491	-52.8
1800	0.171	-147.9	2.135	63.5	0.199	54.2	0.477	-56.4
2000	0.159	-159.9	1.989	58.6	0.217	54.0	0.476	-59.5

■ No products described or contained herein are intended for use in surgical implants, life-support systems, aerospace equipment, nuclear power control systems, vehicles, disaster/crime-prevention equipment and the like, the failure of which may directly or indirectly cause injury, death or property loss.

■ Anyone purchasing any products described or contained herein for an above-mentioned use shall:

① Accept full responsibility and indemnify and defend SANYO ELECTRIC CO., LTD., its affiliates, subsidiaries and distributors and all their officers and employees, jointly and severally, against any and all claims and litigation and all damages, cost and expenses associated with such use;

② Not impose any responsibility for any fault or negligence which may be cited in any such claim or litigation on SANYO ELECTRIC CO., LTD., its affiliates, subsidiaries and distributors or any of their officers and employees jointly or severally.

■ Information (including circuit diagrams and circuit parameters) herein is for example only; it is not guaranteed for volume production. SANYO believes information herein is accurate and reliable, but no guarantees are made or implied regarding its use or any infringements of intellectual property rights or other rights of third parties.