

PART NUMBER	CURRENT max A	AWG	mm ²	Core range		
				ØA ^{+0.10} ₋₀	ØB ^{+0.10}	COLOUR CLIP
8638-PPS-4005	40	8	Section 8.98 mm ² Ø Ame 3.90 mm	4.40	5.50	blue
8638-PPS-2005	20	12	Section 3.18 mm ² Ø Ame 2.40 mm	2.80	3.65	red
8638-PPS-1005	10	16	Section 1.34 mm ² Ø Ame 1.50 mm	1.70	2.60	black

Materials and finish

contact: CuZn40 Pb3 1µNi+gold
Solder buckets: CuZn36Pb3 2µNi+2µSnPb mini

Clip : plastic

Technical characteristics

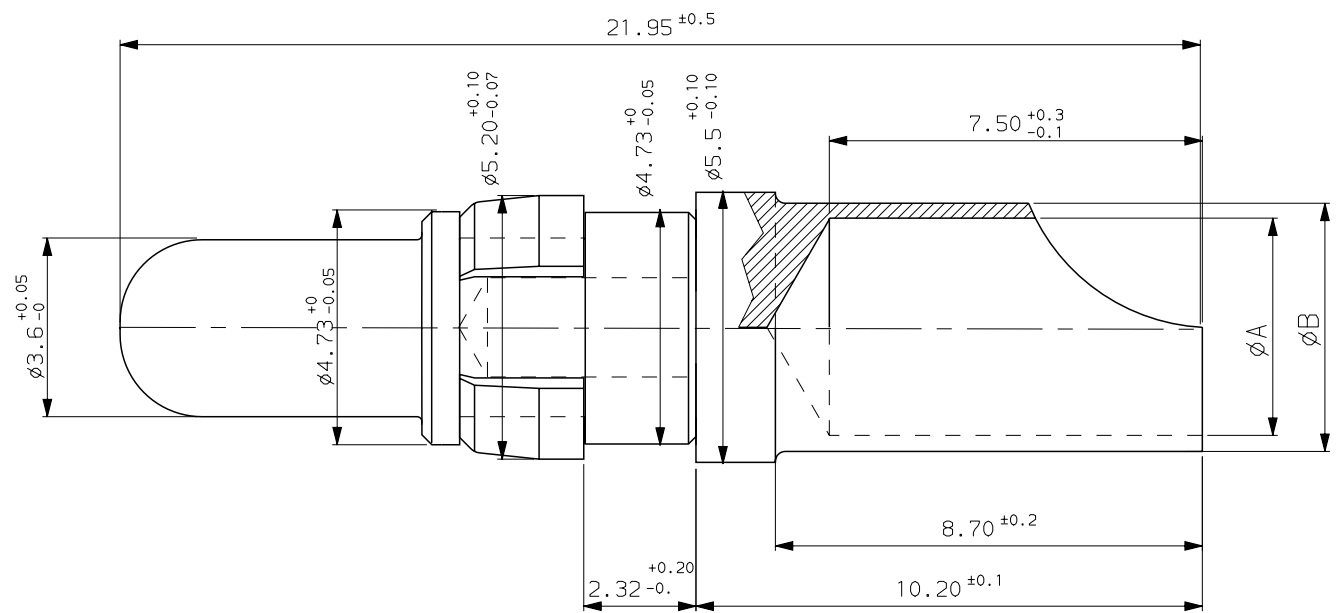
Peak voltage: 750Veff.
Operating voltage: 500Veff.
Temperature range: -55°C ÷ 125°C
Packaging per 100
Current capability see table

Mechanical characteristics:

Mechanical endurance : > 200 matings/unmatings .
Contact insertion force in insulator:
60N maxi in a hole of 4.80mm

Examination of product:

Remove all burns and sharp edges 0.08 maxi
No scratch on all pieces



d	17/04/03	removal parts number	----	--
ISS	DATE	Latest modification by :	BART.5	MOD N°
Designed by: JARRY		date: 13/12/94	Type of drawing: CLIENT	
TITLE : MALE POWER CONTACT FOR SOLDER CONNECTION				SHEET 1/1
SCALE: 10.0				
		FRAMATOME CONNECTORS FRANCE Rue Louis Breguet - BP 05 72024 LE MANS Cedex Tel. 33 (16) 43.84.08.43		This document is the property of FRAMATOME CONNECTORS FRANCE It must not be reproduced or communicated without permission in writing from the owners
FORMAT	A3	SOURIAU DRG N°	C01-8638-0334-1	PROJECT
				M94D001