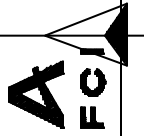


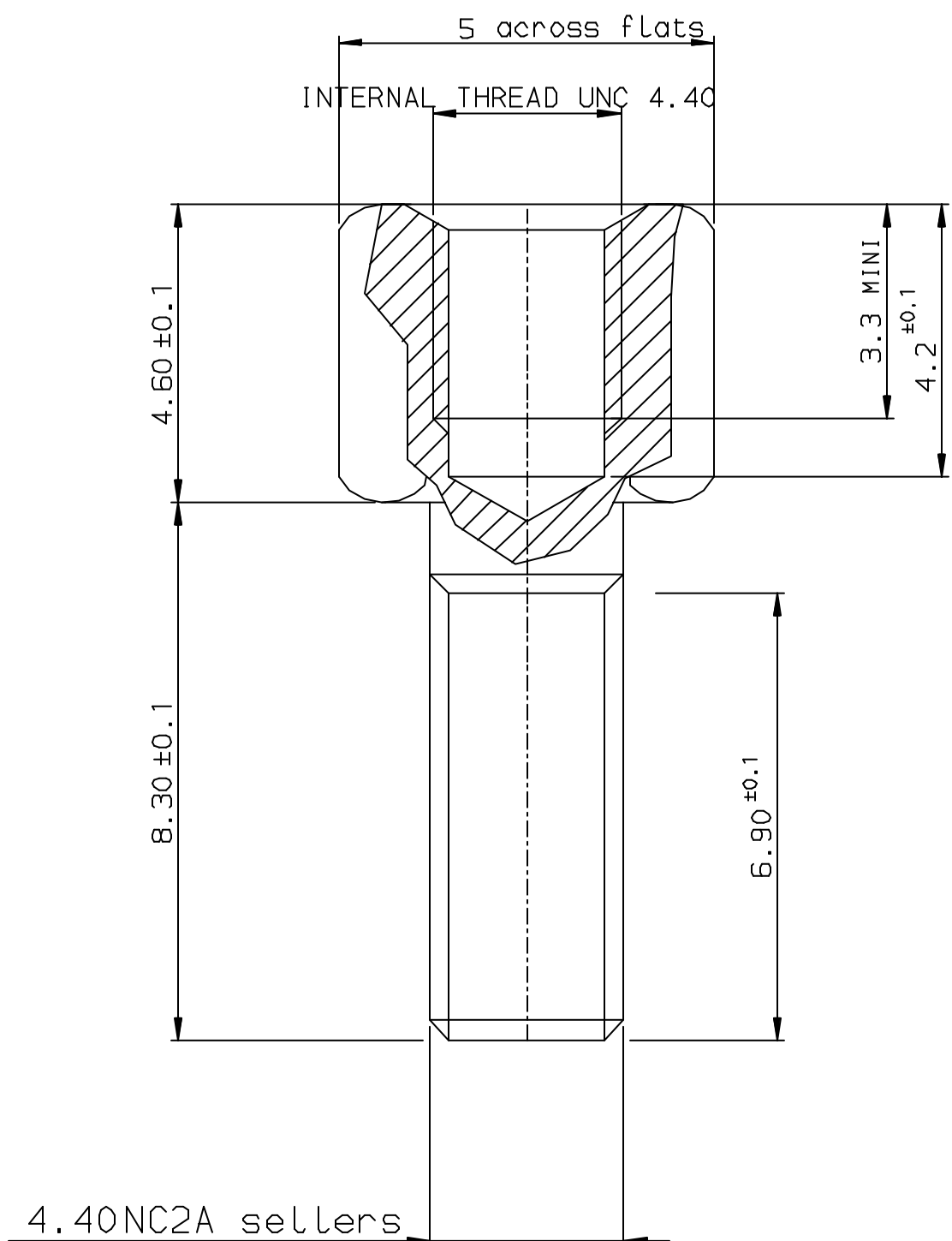
Tous droits strictement réservés. Reproduction ou communication a des tiers interdite sous quelque forme que ce soit sans autorisation écrite du propriétaire. Property of FCI. Drets de reproduction FCI.



All rights strictly reserved. Reproduction or issue to third parties in any form whatever is not permitted without written authority from the proprietor. Property of FCI. Copyright FCI.

TECHNICAL CHARACTERISTICS :

Female screw locks: brass
Packaging : per 1000 pieces .



PART NUMBER	PLATING
8655-1009TL	Tin lead
8655-1009	Cadmium

European view

Ltr	ecn no	dr	date	www.fciconnect.com ISO 1302	tolerance ISO 406 ISO 1101	projection 	mm 	
	B	-	SJO					17/01/03
	C	LS4120	LMA					06/01/05
	D	LS05-0123	LGO					12/01/06
Dr	MASSON	07/08/00	Product family	SUB	size	A3	Scale	10/1
Eng	MASSON	07/08/00	Spec ref	-	ECN	LS05-0123		
Chr	LEGARE	07/08/00	Material	SEE NOTES				
Appr	LEGARE	07/08/00						
title	FEMALE SCREW LOCKS			dwg no	C01-8655-1542		Rev.	D
catalog no	-			CUSTOMER COPY	sheet 1 of 1			