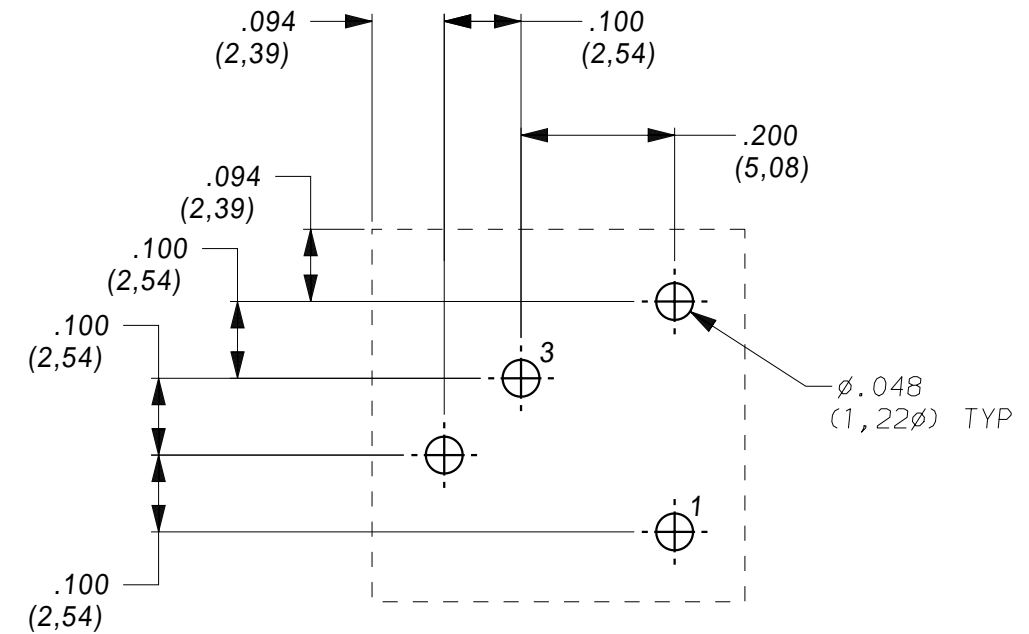
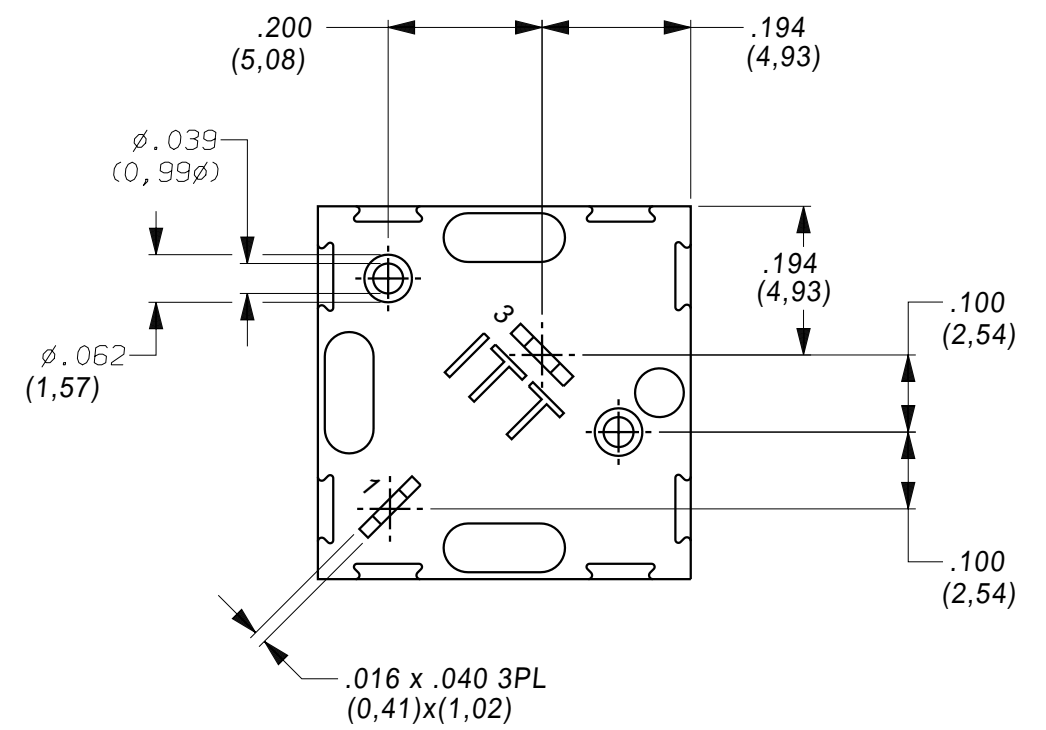
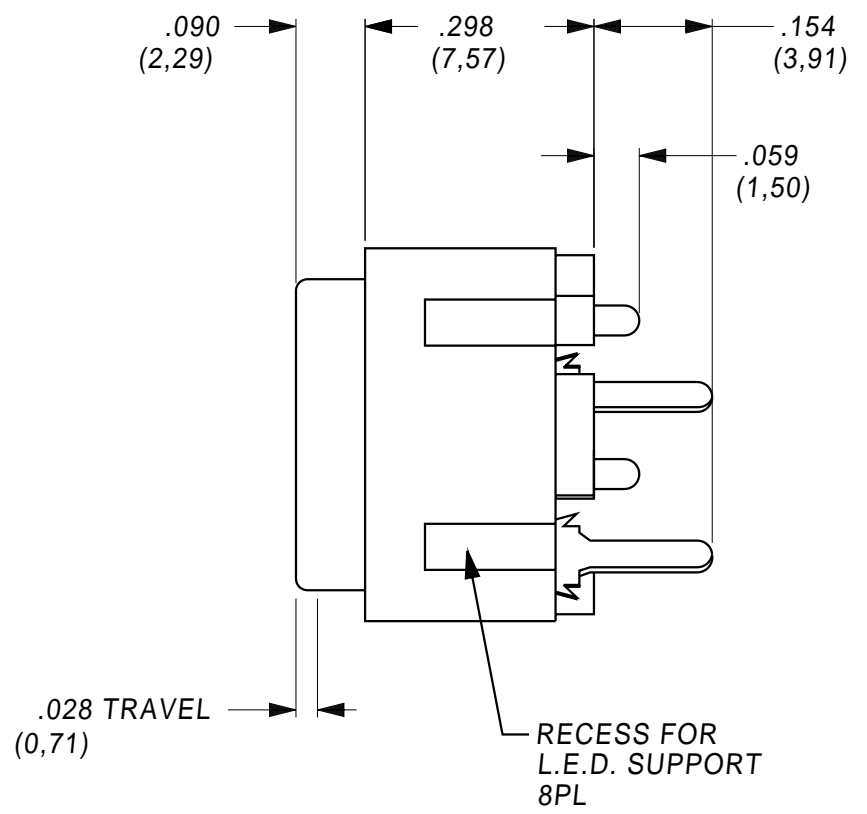
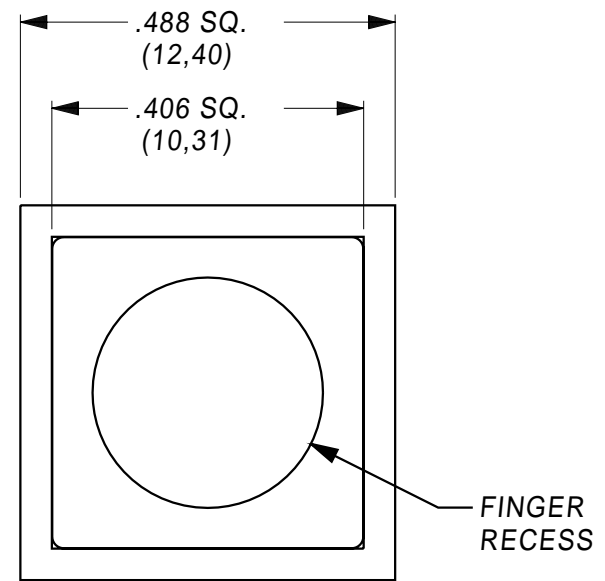
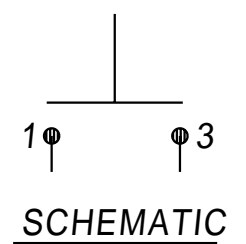


REVISIONS				A	
ECN	SYM	DESCRIPTION	DATE	APPROVAL	
	1	RELEASE TO PRODUCTION	6/2/04 KON		



RECOMMENDED
P.C. LAYOUT

POS.1	POS.2
OFF	MOM
TERMINALS CONNECTED	
OPEN	1,3



CAD FILE NO.: ks11r27cq-d-ol_a

CAP COLOR	
1	WHITE
2	BLACK(STD)
3	RED
7	BLUE

ALL DIMS. AND TOLS.
PER ANSI Y14.5

THIS DOCUMENT AND THE INFORMATION
IN IT IS THE EXCLUSIVE PROPERTY OF
C&K COMPONENTS, INC. AND IS NOT
TO BE USED OR DISCLOSED WITHOUT THE
EXPRESS WRITTEN PERMISSION OF
C&K COMPONENTS, INC.

CRITICAL - MUST COMPLY WITH C&K
QUALIFICATION STD. CKQI0019

MAJOR DIMENSION

UNLESS OTHERWISE SPECIFIED
DIMENSIONS ARE IN INCHES

TOLERANCES

DECIMAL	ANGULAR
.XX±	±5°
.XXX±	.015

SCALE 4:1 DATE 9/11/03

DRAWN K.ONEIL APPROVED

C&K P/N: KS11R27CQD

