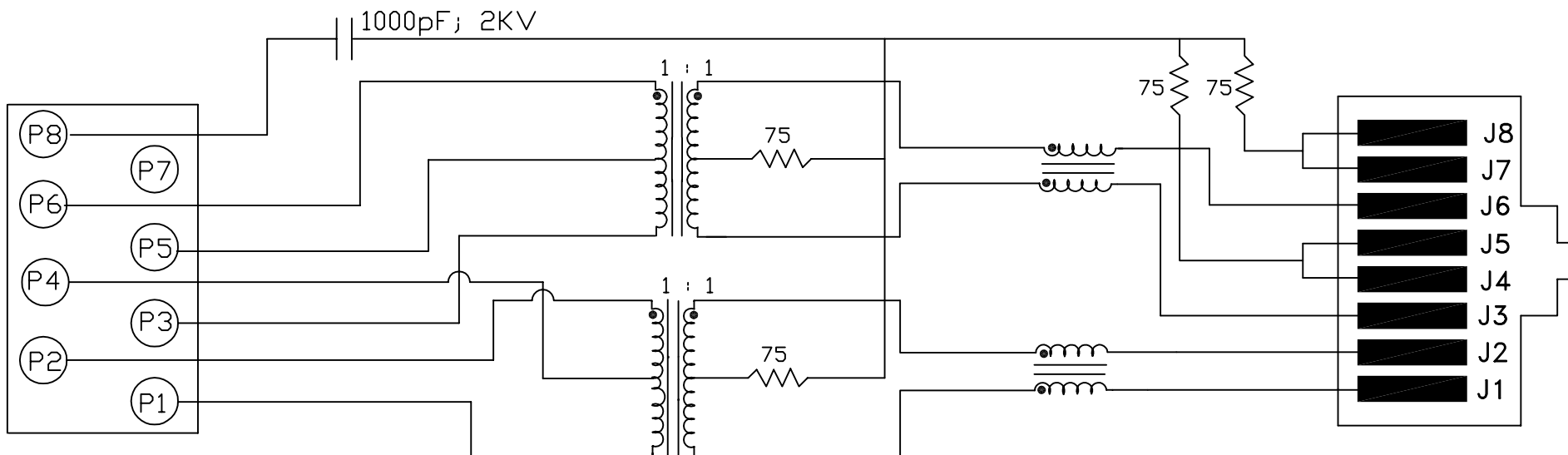
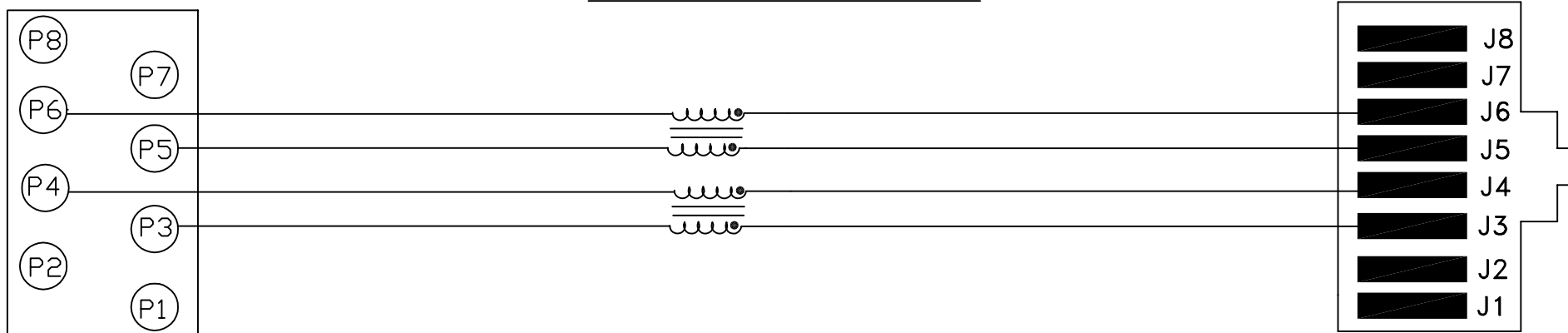


ELECTRICAL SCHEMATIC FOR PORT 1:



ELECTRICAL SCHEMATIC FOR PORT 2:



NOTE:
PINS NOT ELECTRICALLY CONNECTED ARE OMITTED.

Bel Stewart Connector
11118 Susquehanna Trail, South
Glen Rock, Pa 17327-9199
717.234.7512

MagJack®

<http://www.stewartconnector.com>

THIS DRAWING AND THE SUBJECT MATTER SHOWN THEREON ARE CONFIDENTIAL AND PROPERTY OF BEL STEWART CONNECTOR AND SHALL NOT BE REPRODUCED, COPIED, OR USED IN ANY MANNER WITHOUT PRIOR WRITTEN CONTENT OF BEL STEWART CONNECTOR. THE SUBJECT MATTER MAY BE PATENTED OR A PATENT MAY BE PENDING.

SHEET
1 OF 4

DRAWING NO.

SI-40279 REV. 06

ELECTRICAL SPECIFICATION PORT 1:

- | | |
|--|--|
| 1.0 TURNS RATIO: (P3-P5-P6) : (J3-J6) | : 1CT : 1CT ± 3% |
| (P1-P4-P2) : (J1-J2) | : 1CT : 1CT ± 3% |
| 2.0 INDUCTANCE: (P1-P2) | : 350uH MIN. @ 0.1V, 100KHz, 8mA DC Bias |
| (P3-P6) | : 350uH MIN. @ 0.1V, 100KHz, 8mA DC Bias |
| 3.0 LEAKAGE INDUCTANCE: P6-P3 (WITH J6 AND J3 SHORT) | : 0.3uH MAX. @ 1MHz |
| P2-P1 (WITH J2 AND J1 SHORT) | : 0.3uH MAX. @ 1MHz |
| 4.0 DC RESISTANCE: (J6-J3)=(J2-J1) | : 1.2 ohms Max. |

RECEIVE

- | | |
|--|-------------|
| 5.0 RETURN LOSS: (P6-P4)=100 OHMS AND (P1-P2)=100 OHM REF. | |
| 1MHz TO 30MHz | : 18dB MIN. |
| 60MHz TO 80MHz | : 12dB MIN. |
| NOTE: 100 OHMS CONNECTED TO (J2-J1) OR (J6-J3). | |
| 6.0 DIELECTRIC WITHSTAND: (J1, J2) TO (P1, P2) | : 1500 VAC |
| (J3, J6) TO (P3, P6) | : 1500 VAC |
| 7.0 INSERTION LOSS: RS=RL=100 ohms | |
| 100KHz TO 125MHz | : 1.1dB TYP |
| 8.0 CROSS TALK: 1MHz TO 100MHz | : 40dB TYP |
| 9.0 COMMON TO COMMON MODE ATTENUATION: 1MHz TO 100MHz | : 35dB TYP |
| 100MHz TO 200MHz | : 30dB TYP |

ELECTRICAL SPECIFICATIONS PORT 2:

- | | |
|---------------------------------|-----------------------|
| 1.0 INDUCTANCE:(P6-J6), (P4-J4) | : 85 uH MIN. |
| | @.01V, 100kHz |
| 2.0 DC RESISTANCE: P6-J6 | : .5 OHM MAX |
| P3-J3 | : .5 OHM MAX |
| P4-J4 | : .5 OHM MAX |
| P5-J5 | : .5 OHM MAX |
| 3.0 COMMON MODE ATTENUATION: | : 25dB MIN. @ 1-30MHz |
| | 40dB MIN. @ 30-100MHz |

Bel Stewart Connector
 11118 Susquehanna Trail, South
 Glen Rock, Pa 17327-9199
 717.234.7512

MagJack®

<http://www.stewartconnector.com>

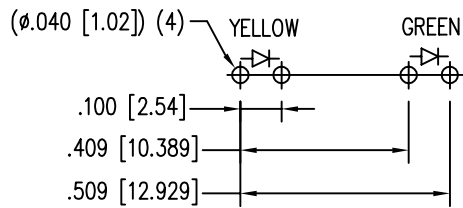
THIS DRAWING AND THE SUBJECT MATTER SHOWN THEREON ARE CONFIDENTIAL AND PROPERTY OF BEL STEWART CONNECTOR AND SHALL NOT BE REPRODUCED, COPIED, OR USED IN ANY MANNER WITHOUT PRIOR WRITTEN CONTENT OF BEL STEWART CONNECTOR. THE SUBJECT MATTER MAY BE PATENTED OR A PATENT MAY BE PENDING.

SHEET
2 OF 4

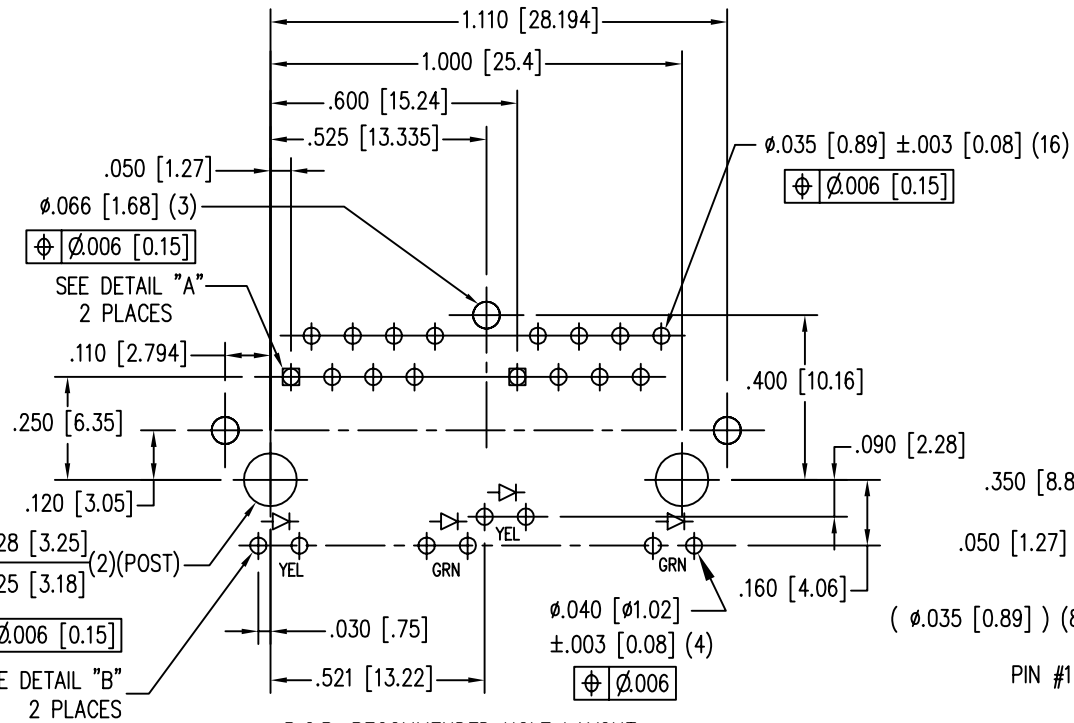
DRAWING NO.

SI-40279

REV. 06

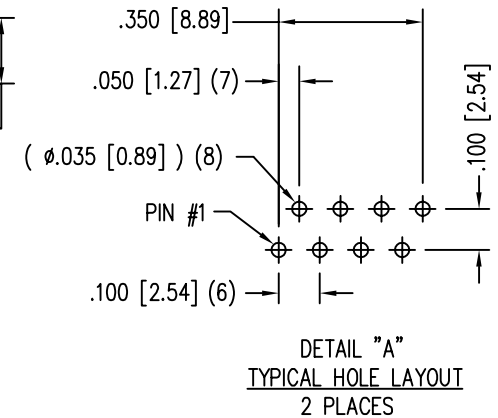


DETAIL "B"
TYPICAL LED HOLE LAYOUT

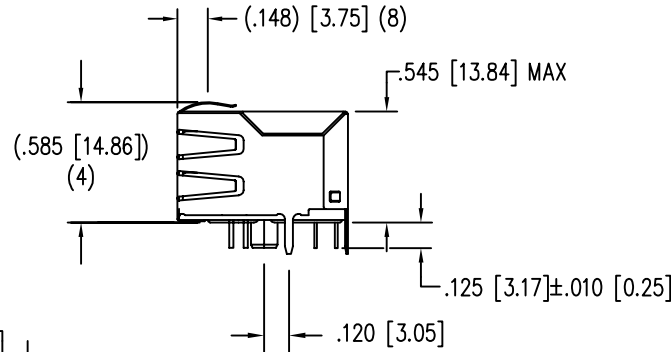
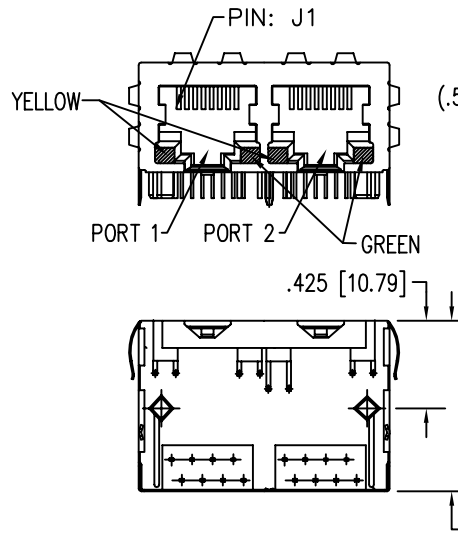
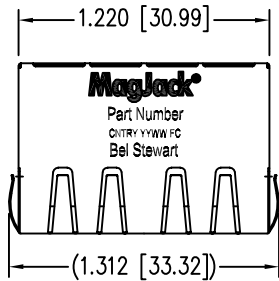


P.C.B. RECOMMENDED HOLE LAYOUT
SEEN FROM COMPONENT SIDE

ALL CENTERLINE DIMENSIONS ARE BASIC.



DETAIL "A"
TYPICAL HOLE LAYOUT
2 PLACES



LED SPECIFICATION			
STANDARD LED	WAVELENGTH	* Forward V (MAX)	(TYP)
GREEN	565 nm	2.5 V	2.2 V
YELLOW	590nm	2.2V	2.1 V

*WITH A FORWARD CURRENT OF 20 mA

NOTES:

- CONNECTOR MATERIALS:
HOUSING: THERMOPLASTIC UL94 V-0
CONTACT/SHIELD: COPPER ALLOY
SHIELD PLATING: NICKEL OR TIN
CONTACT PLATING: SELECTIVE GOLD,
50 MICRO-INCHES MIN. IN CONTACT AREA.
- PIN NOT ELECTRICALLY CONNECTED MAYBE OMITTED.
SEE ELECTRICAL DRAWING FOR OMITTED PINS.
- TOLERANCES COMPLY WITH F.C.C. DIMENSION REQUIREMENTS.
- ALL TOLERANCES NOT OTHERWISE SPECIFIED TO BE ±.005 [0.13]
- WAVE SOLDER COMPATIBLE - PREHEAT 125°C/90SECS.

Bel Stewart Connector
11118 Susquehanna Trail, South
Glen Rock, Pa 17327-9199
717.234.7512

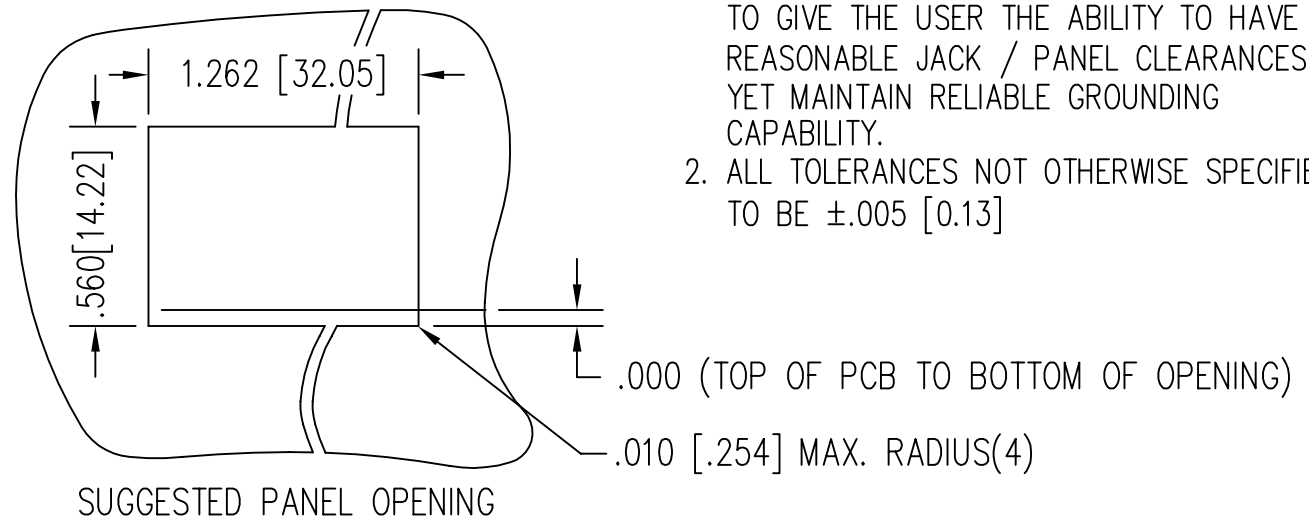
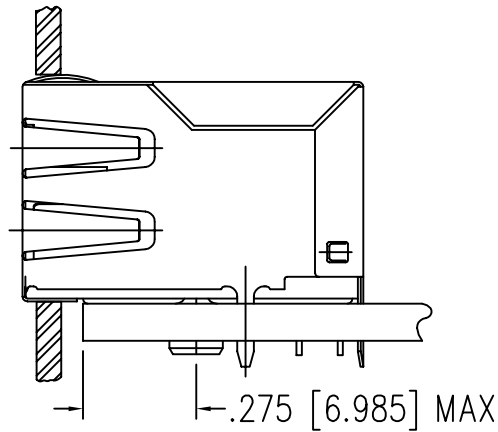
MagJack®

<http://www.stewartconnector.com>

THIS DRAWING AND THE SUBJECT MATTER SHOWN THEREON ARE CONFIDENTIAL AND PROPERTY OF BEL STEWART CONNECTOR AND SHALL NOT BE REPRODUCED, COPIED, OR USED IN ANY MANNER WITHOUT PRIOR WRITTEN CONTENT OF BEL STEWART CONNECTOR. THE SUBJECT MATTER MAY BE PATENTED OR A PATENT MAY BE PENDING.

SHEET
3 OF 4

DRAWING NO. SI-40279 REV. 02



1. THE SUGGESTED PANEL OPENING IS INTENDED TO GIVE THE USER THE ABILITY TO HAVE REASONABLE JACK / PANEL CLEARANCES YET MAINTAIN RELIABLE GROUNDING CAPABILITY.
2. ALL TOLERANCES NOT OTHERWISE SPECIFIED TO BE ± 0.005 [0.13]

Bel Stewart Connector
 11118 Susquehanna Trail, South
 Glen Rock, Pa 17327-9199
 717.234.7512

MagJack®

<http://www.stewartconnector.com>

THIS DRAWING AND THE SUBJECT MATTER SHOWN THEREON ARE CONFIDENTIAL AND PROPERTY OF BEL STEWART CONNECTOR AND SHALL NOT BE REPRODUCED, COPIED, OR USED IN ANY MANNER WITHOUT PRIOR WRITTEN CONTENT OF BEL STEWART CONNECTOR. THE SUBJECT MATTER MAY BE PATENTED OR A PATENT MAY BE PENDING.

SHEET
4 OF 4

DRAWING NO. SI-40279

REV. 02