

NOTES

1.0 PINS WITHOUT ELECTRICAL CONNECTION ARE OMITTED.

ELECTRICAL SPECIFICATIONS:



1.0 TURNS RATIO: (P4-P5-P6) : (J3-J6) : 1CT : 1CT ±3%
 (P3-P2-P1) : (J1-J2) : 1CT : 1CT ±3%

2.0 INDUCTANCE: (P6-P4) : 350uH MIN. @ 0.1V, 100KHz, 8mA DC Bias
 (P3-P1) : 350uH MIN. @ 0.1V, 100KHz, 8mA DC Bias

3.0 LEAKAGE INDUCTANCE: P6-P5-P4 (WITH J6 AND J3 SHORT) : 0.3 MAX. @ 1MHz
 P3-P2-P1 (WITH J2 AND J1 SHORT) : 0.3 MAX. @ 1MHz

4.0 INTERWINDING CAPACITANCE: (P6,P5,P4) TO (J6,J3) : 30pf MAX @ 1MHz
 (P3,P2,P1) TO (J2,J1) : 30pf MAX @ 1MHz

5.0 DC RESISTANCE: (J6-J3)=(J2-J1) : 1.2 ohms Max.

		InNet Technologies, Inc. http://www.innet-tech.com
		Stewart Connector Systems http://www.stewartconnector.com
SHEET 1 OF 4	DRAWING NO. SI-70024	REV. X

6.0 RETURN LOSS: (P6-P4)=100 OHMS AND (P1-P3)=100 OHM REF.
 1MHz TO 30MHz : 18dB MIN.
 30MHz TO 80MHz : 12dB MIN.
 NOTE: 100 OHMS CONNECTED TO (J2-J1) OR (J6-J3).



7.0 VOLTAGE WITHSTAND:
 (J1, J2) TO (P1, P3) : 1500 VAC
 (J3, J6) TO (P4,P6) : 1500 VAC

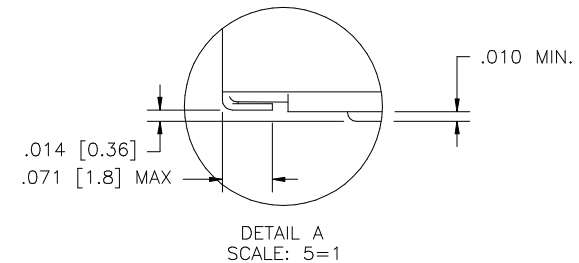
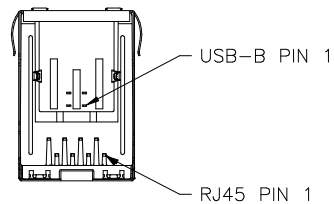
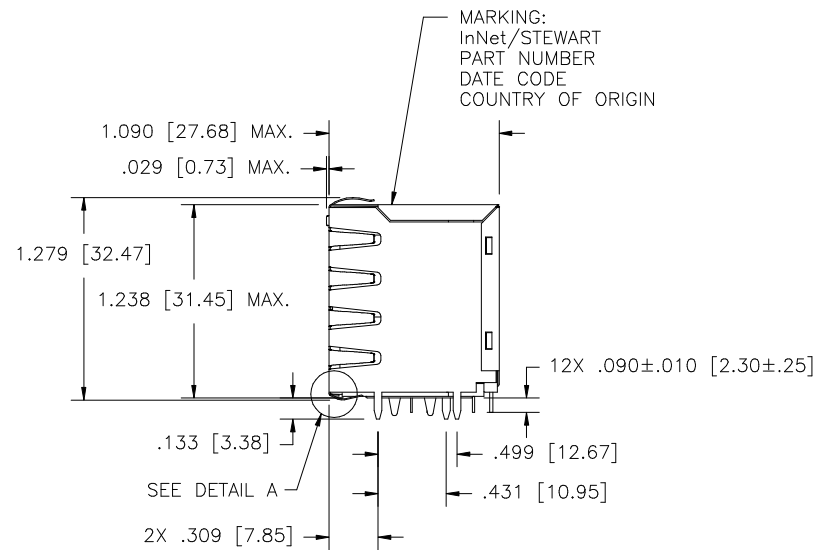
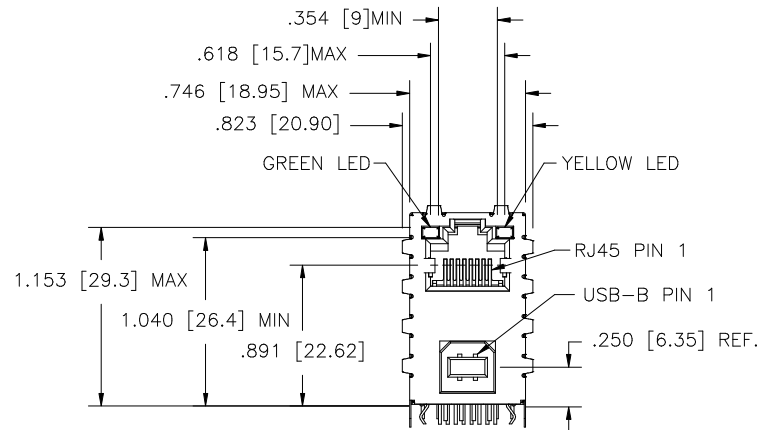
8.0 INSERTION LOSS: RS=RL=100 ohms
 100KHz TO 100MHz 1.1 dB TYP

9.0 RISE TIME: RS=100 OHMS AND RL = 100 OHMS
 OUTPUT VOLTAGE = 1 V peak 3.0 nS MAX
 PULSE WIDTH= 112nS 3.0 nS MAX

10.0 CROSS TALK:
 1-100 MHz 30 dB TYP



11.0 COMMON TO COMMON MODE ATTENUATION:
 1MHz TO 100MHz 35dB TYP

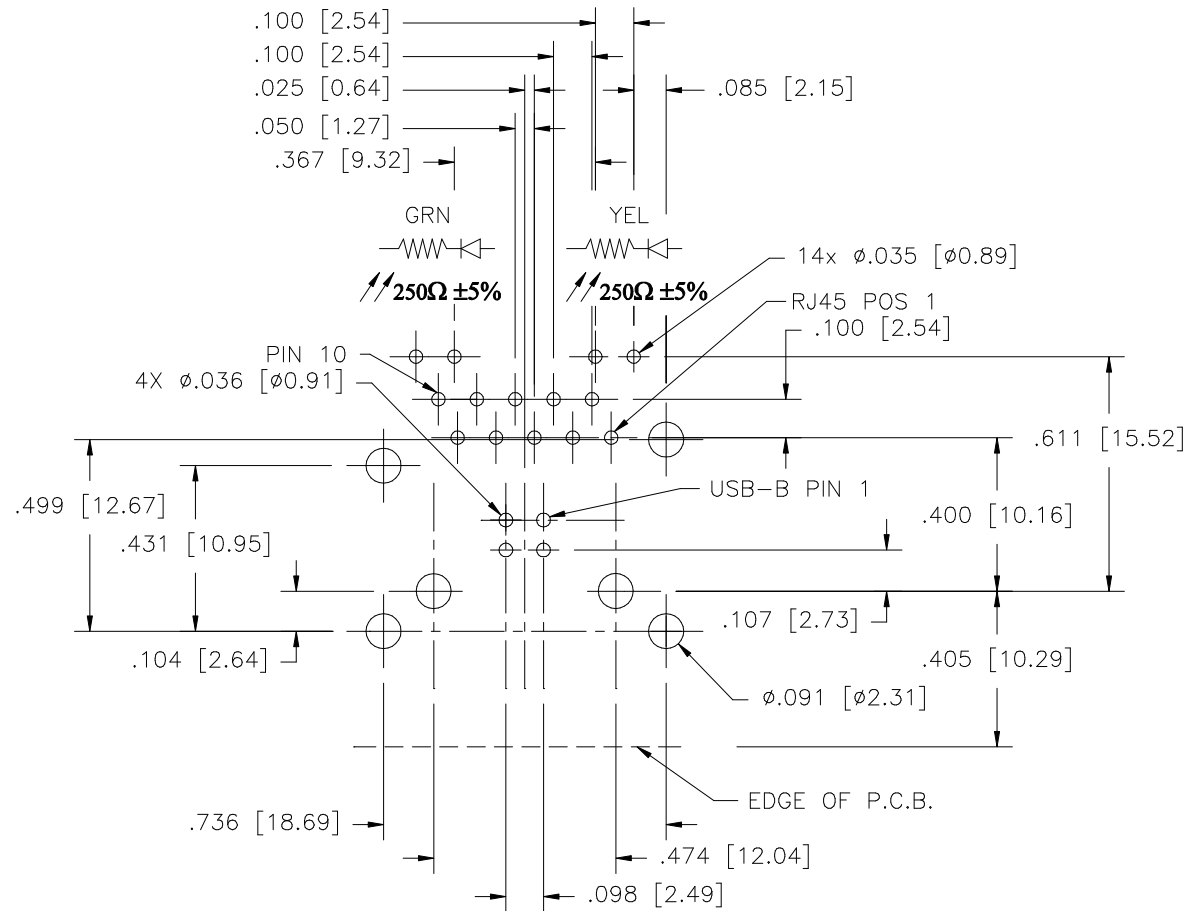
 InNet Technologies, Inc. http://www.innet-tech.com	
 Stewart Connector Systems http://www.stewartconnector.com	
SHEET 2 OF 4	DRAWING NO. SI-70024
REV. X	





NOTES:

- 1.0 TOLERANCE COMPLY WITH FCC DIMENSION REQUIREMENTS.
- 2.0 PIN NOT ELECTRICALLY CONNECTED MAY BE OMITTED. SEE ELECTRICAL DRAWING FOR OMITTED PINS. BRASS PLATED W/EITHER Ni OR TIN-LEAD
- 3.0 MATERIAL:
 - PLASTIC: UL94V-ø
 - TERMINAL USB: Au AT 30 MICROINCHES
 - TERMINAL RJ45: 50 MICROINCHES Au OVER 50 MICROINCHES Ni OVER PHOSBRONZE SHIELD, BOTH USB AND RJ45:
- 4.0 GENERAL TOLERANCE: ±.005 [.127]

	InNet Technologies, Inc. http://www.innet-tech.com	
	 Stewart Connector Systems http://www.stewartconnector.com	
SHEET 3 OF 4	DRAWING NO. SI-70024	REV. X



PC BOARD LAYOUT COMPONENT SIDE SHOWN
 TOLERANCE: \pm .003 [.08] UNLESS OTHERWISE SPECIFIED

 InNet Technologies, Inc. http://www.innet-tech.com	
 Stewart Connector Systems http://www.stewartconnector.com	
SHEET 4 OF 4	DRAWING NO. SI-70024 REV. X