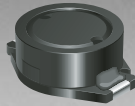


\*RoHS COMPLIANT



**BOURNS®**

## Features

- Available in E12 series
- Unit height of 3 mm
- Current up to 3 A
- RoHS compliant\*

## Applications

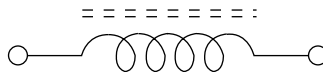
- Input/output of DC/DC converters
- Power supplies for:
  - Portable communication equipment
  - Camcorders
  - LCD TVs
  - Car radios

# SRR6603 Series - Shielded Power Inductors

### Electrical Specifications

Bourns Part No.	Inductance 100kHz		Q Ref.	Test Frequency (kHz) Q	SRF Nom. (MHz)	RDC Max. (Ω)	IDC Max. (A)
	(μH)	Tol. %					
SRR6603-1R0ML	1.0	± 20	30	200	250	0.040	3.00
SRR6603-1R5ML	1.5	± 20	30	200	125	0.045	2.80
SRR6603-2R2ML	2.2	± 20	40	200	120	0.050	1.80
SRR6603-3R3ML	3.3	± 20	40	200	120	0.055	1.60
SRR6603-4R7ML	4.7	± 20	40	200	105	0.060	1.40
SRR6603-6R8ML	6.8	± 20	40	200	50	0.065	1.20
SRR6603-100ML	10.0	± 20	40	200	38	0.075	1.00
SRR6603-150ML	15.0	± 20	40	100	33	0.090	0.80
SRR6603-220ML	22.0	± 20	40	100	25	0.110	0.70
SRR6603-330ML	33.0	± 20	40	100	20	0.190	0.60
SRR6603-470ML	47.0	± 20	40	100	20	0.230	0.50
SRR6603-680ML	68.0	± 20	40	100	15	0.290	0.40
SRR6603-101ML	100.0	± 20	40	100	10	0.480	0.30
SRR6603-151ML	150.0	± 20	40	100	9	0.590	0.26
SRR6603-221ML	220.0	± 20	40	100	6	0.770	0.22
SRR6603-331ML	330.0	± 20	40	100	5	1.400	0.20
SRR6603-471ML	470.0	± 20	40	100	4	1.800	0.19
SRR6603-681ML	680.0	± 20	40	100	3	2.200	0.18
SRR6603-102ML	1000.0	± 20	40	100	2	3.400	0.15
SRR6603-152ML	1500.0	± 20	50	100	2	4.200	0.12
SRR6603-222ML	2200.0	± 20	50	100	2	8.500	0.10
SRR6603-332ML	3300.0	± 20	50	100	1	11.000	0.08
SRR6603-472ML	4700.0	± 20	50	100	1	13.900	0.06
SRR6603-682ML	6800.0	± 20	50	100	1	25.000	0.04
SRR6603-103ML	10000.0	± 20	50	100	0.8	32.800	0.02

### Electrical Schematic



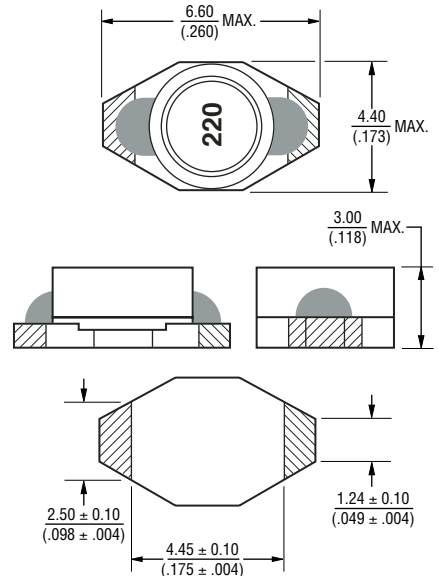
### General Specifications

Test Voltage.....0.1 V  
 Reflow soldering.....250 °C; 10 sec max.  
 (In compliance with JEDEC, J-STD-020C, Table 4-2)  
 Operating Temperature...-40 °C to +125 °C  
 (Temperature rise included)  
 Storage Temperature...-40 °C to +105 °C  
 Resistance to Soldering Heat  
 .....250 °C, 10 sec. max.

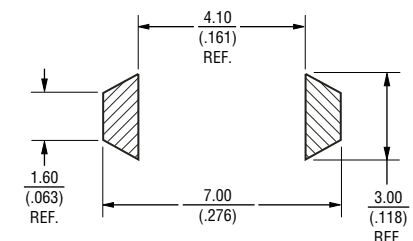
### Materials

Core.....Ferrite DR & RI core  
 Wire.....Enameled copper  
 Base .....Ceramic  
 Terminal.....Cu/Ni/Au  
 Temperature Rise  
 .....30 °C max. at rated Irms  
 Packaging.....600 pcs. per reel

### Product Dimensions



### Recommended Layout

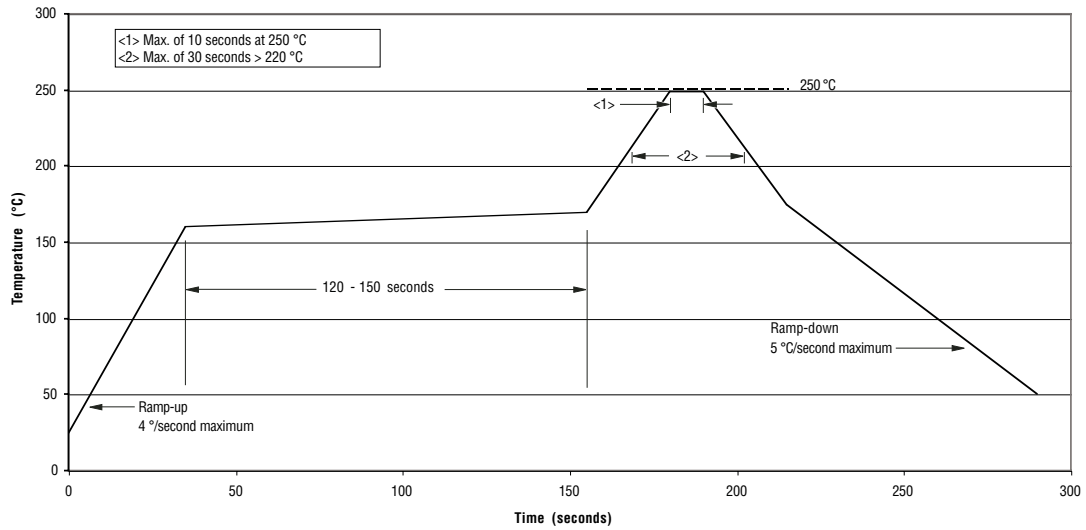


\*RoHS Directive 2002/95/EC Jan 27 2003 including Annex  
 Specifications are subject to change without notice.  
 Customers should verify actual device performance in their specific applications.

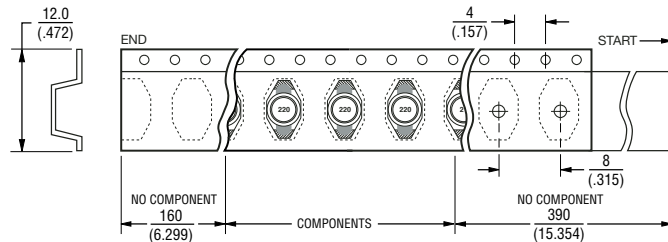
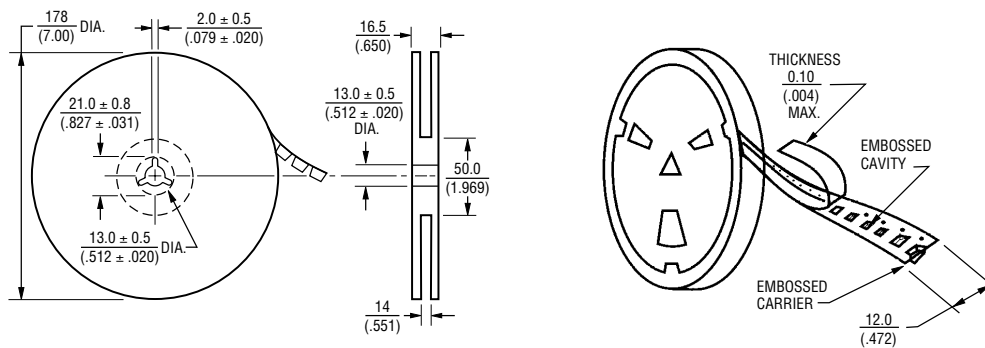
# SRR6603 Series - Shielded Power Inductors

**BOURNS®**

## Soldering Profile



## Packaging Specifications



DIMENSIONS: MM  
(INCHES)

USER DIRECTION OF FEED

QTY: 600 PCS. PER REEL

REV. 02/06

Specifications are subject to change without notice.  
Customers should verify actual device performance in their specific applications.