

Current Transducer HTFS 200..800-P

$I_{PN} = 200 - 400 - 800 \text{ A}$

For the electronic measurement of currents : DC, AC, pulsed, mixed, with a galvanic isolation between the primary circuit (high power) and the secondary circuit (electronic circuit).



All Data are given with a $R_L = 10 \text{ k}\Omega$



Electrical data

Primary nominal r.m.s. current $I_{PN} \text{ (A)}$ / $I_p \text{ (A)}$	Primary current measuring range	Type
200	± 300	HTFS 200-P
400	± 600	HTFS 400-P
800	± 1200	HTFS 800-P
V_{OUT}	Analog output voltage @ I_p $I_p = 0$	$V_{REF} \pm (1.25 \cdot I_p / I_{PN})$ V $V_{REF} \pm 0.025$ V
V_{REF}	Internal Reference ¹⁾ - Output voltage V_{REF} Output impedance typ. 200 V_{REF} Load impedance ≥ 200	$1/2 V_C \pm 0.025$ V Ω $\text{k}\Omega$
R_L $\text{k}\Omega$	Output load resistance	≥ 2
R_{OUT}	Output impedance	< 10 Ω
C_L	Max. output capacitive load	< 1 μF
V_C	Supply voltage ($\pm 5\%$)	5 V
I_C	Current consumption @ $V_C = 5 \text{ V}$	22 mA

Features

- Hall effect measuring principle
- Galvanic isolation between primary and secondary circuit
- Low power consumption
- Single power supply +5V
- Ratiometric offset
- $T_A = -40..+105 \text{ }^\circ\text{C}$
- Fixation by M3 nuts and screws

Advantages

- Small size and space saving
- Only one design for wide current ratings range
- High immunity to external interference.
- V_{REF} IN/OUT

Applications

- Forklift drives
- AC variable speed drives
- Static converters for DC motor drives
- Battery supplied applications
- Uninterruptible Power Supplies (UPS)
- Switched Mode Power Supplies (SMPS)
- Power supplies for welding applications.

Application Domain

- Industrial

Accuracy - Dynamic performance data

X	Accuracy ²⁾ @ I_{PN} , $T_A = 25^\circ\text{C}$	$\leq \pm 1$	% of I_{PN}
e_L	Linearity error $0..1.5 \times I_{PN}$	$\leq \pm 0.5$	% of I_{PN}
TCV_{OUT}	Thermal drift of V_{OUT} @ $I_p = 0$	$\leq \pm 0.3$	mV/K
TCV_{REF}	Thermal drift of V_{REF}	$\leq \pm 0.01$	%/K
TCV_{OUT}/V_{REF}	Thermal drift of V_{OUT}/V_{REF} @ $I_p = 0$	$\leq \pm 0.2$	mV/K
TCE_G	Thermal drift of the gain	$\leq \pm 0.05\%$	of reading/K
V_{OM}	Residual voltage @ $I_p = 0$, after an overload of $3 \times I_{PN \text{ DC}}$	$< \pm 0.5$	% of I_{PN}
t_{ra}	Reaction time @ 10 % of I_{PN}	< 3	μs
t_r	Response time @ 90 % of I_{PN}	< 7	μs
di/dt	di/dt accurately followed	> 100	A/ μs
	Output noise (DC ..10 kHz)	< 15	mVpp
	(DC .. 1 MHz)	< 40	mVpp
f	Frequency bandwidth (- 3 dB) ³⁾	DC .. 20	kHz

General data

T_A	Ambient operating temperature	- 40 .. + 105	$^\circ\text{C}$
T_S	Ambient storage temperature	- 40 .. + 105	$^\circ\text{C}$
	UL94 classification	V0	
m	Mass	60	g
	Standards	EN 50178: 1997	

Notes : ¹⁾ It is possible to overdrive V_{REF} with an external reference voltage between 2 - 2.8 V providing its ability to sink or source approx. 2.5 mA.

²⁾ Excluding offset.

³⁾ Small signal only to avoid excessive heatings of the magnetic core.

051110/3

Current Transducer HTFS 200..800-P

Isolation characteristics

V_b	Nominal Voltage with IEC 61010-1 standards and following conditions - Single insulation - Over voltage category III - Pollution degree 2 - Heterogeneous field	150	V r.m.s.
V_b	Nominal Voltage with EN 50178 standards and following conditions - Reinforced insulation - Over voltage category III - Pollution degree 2 - Heterogeneous field	150	V r.m.s.
V_d	R.m.s. voltage for AC isolation test, 50/60 Hz, 1 mn	2.5	kV
V_e	R.m.s. voltage for partial discharge extinction @ 10pC	> 1	kV
V_w	Impulse withstand voltage 1.2/50 μ s	4	kV
dCp	Creepage distance	> 4	mm
dCl	Clearance distance	> 4	mm
CTI	Comparative tracking index (Group IIIa)	> 220	V

If insulated cable is used for the primary circuit, the voltage category could be improved with the following table :

Cable insulation (primary)	Category
HAR 03	300V CAT III
HAR 05	400V CAT III
HAR 07	500V CAT III

Safety



This transducer must be used in electric/electronic equipment with respect to applicable standards and safety requirements in accordance with the following manufacturer's operating instructions.



Caution, risk of electrical shock

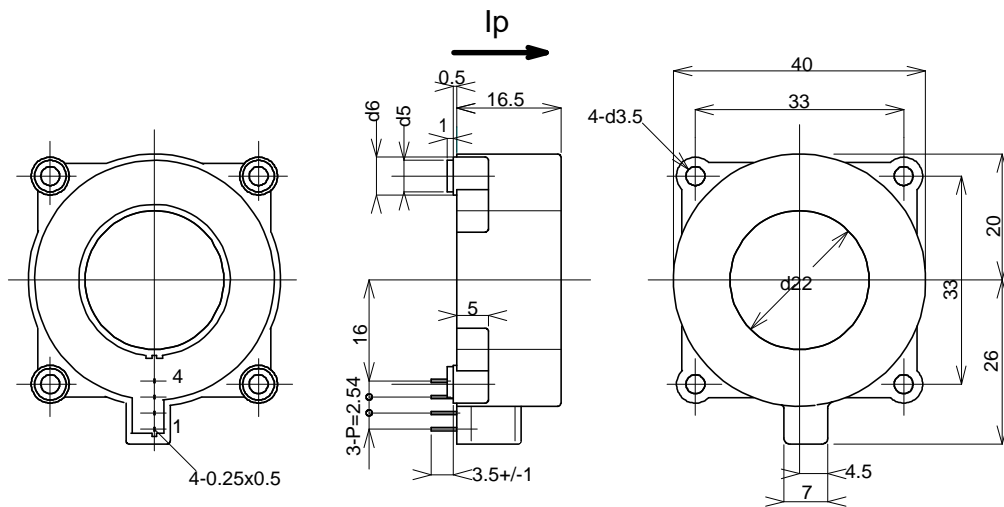
When operating the transducer, certain parts of the module can carry hazardous voltage (eg. primary busbar, power supply). Ignoring this warning can lead to injury and/or cause serious damage.

This transducer is a built-in device, whose conducting parts must be inaccessible after installation.

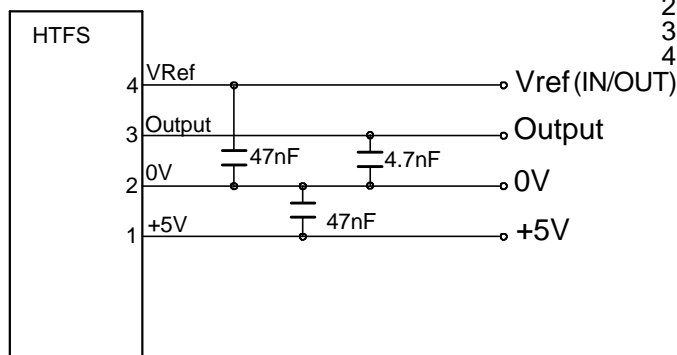
A protective housing or additional shield could be used.

Main supply must be able to be disconnected.

Dimensions HTFS 200..800-P (in mm. 1 mm = 0.0394 inch)



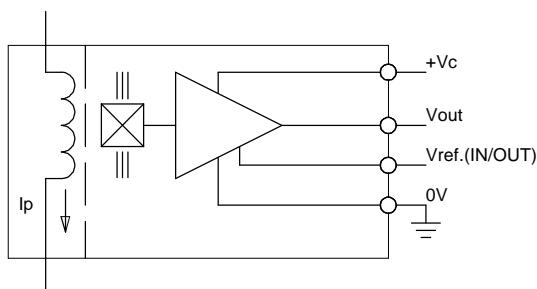
Required Connection Circuit



Terminal Pin

- 1...+5V
- 2...0V
- 3...Output
- 4...Vref (IN/OUT)

Operation Principle



Mechanical characteristics

- General tolerance ± 0.2 mm
- Fixation by 4 x M3 (not supplied)
- Recommended fastening torque < 2.5 Nm
- Fastening & connection of secondary 4 pins 0.5 x 0.25
- Recommended PCB hole $\varnothing 0.7$ mm

Remarks

- V_{OUT} is positive when I_p flows in the direction of the arrow.
- Temperature of the primary conductor should not exceed 120°C.