

Am29SLI60C

Data Sheet



The following document contains information on Spansion memory products. Although the document is marked with the name of the company that originally developed the specification, Spansion will continue to offer these products to existing customers.

Continuity of Specifications

There is no change to this data sheet as a result of offering the device as a Spansion product. Any changes that have been made are the result of normal data sheet improvement and are noted in the document revision summary, where supported. Future routine revisions will occur when appropriate, and changes will be noted in a revision summary.

Continuity of Ordering Part Numbers

Spansion continues to support existing part numbers beginning with "Am" and "MBM". To order these products, please use only the Ordering Part Numbers listed in this document.

For More Information

Please contact your local sales office for additional information about Spansion memory solutions.

Publication Number **21635** Revision **C** Amendment **5** Issue Date **January 23, 2007**



THIS PAGE LEFT INTENTIONALLY BLANK.

Am29SL160C

16 Megabit (2 M x 8-Bit/1 M x 16-Bit)

CMOS 1.8 Volt-only Super Low Voltage Flash Memory

DISTINCTIVE CHARACTERISTICS

ARCHITECTURAL ADVANTAGES

- **Secured Silicon (SecSi) Sector: 256-byte sector**
 - *Factory locked and identifiable:* 16 bytes available for secure, random factory Electronic Serial Number; verifiable as factory locked through autoselect function. ExpressFlash option allows entire sector to be available for factory-secured data
 - *Customer lockable:* Customer may program own custom data. Once locked, data cannot be changed
- **Zero Power Operation**
 - Sophisticated power management circuits reduce power consumed during inactive periods to nearly zero
- **Package options**
 - 48-ball FBGA
 - 48-pin TSOP
- **Top or bottom boot block**
- **Manufactured on 0.32 μ m process technology**
- **Compatible with JEDEC standards**
 - Pinout and software compatible with single-power-supply flash standard

PERFORMANCE CHARACTERISTICS

- **High performance**
 - Access time as fast 100 ns
 - Program time: 8 μ s/word typical using Accelerate
- **Ultra low power consumption (typical values)**
 - 1 mA active read current at 1 MHz
 - 5 mA active read current at 5 MHz
 - 1 μ A in standby or automatic sleep mode
- **Minimum 1 million erase cycles guaranteed per sector**
- **20 Year data retention at 125°C**
 - Reliable operation for the life of the system

SOFTWARE FEATURES

- **Supports Common Flash Memory Interface (CFI)**
- **Erase Suspend/Erase Resume**
 - Suspends erase operations to allow programming in same bank
- **Data# Polling and Toggle Bits**
 - Provides a software method of detecting the status of program or erase cycles
- **Unlock Bypass Program command**
 - Reduces overall programming time when issuing multiple program command sequences

HARDWARE FEATURES

- **Any combination of sectors can be erased**
- **Ready/Busy# output (RY/BY#)**
 - Hardware method for detecting program or erase cycle completion
- **Hardware reset pin (RESET#)**
 - Hardware method of resetting the internal state machine to reading array data
- **WP#/ACC input pin**
 - Write protect (WP#) function allows protection of two outermost boot sectors, regardless of sector protect status
 - Acceleration (ACC) function accelerates program timing
- **Sector protection**
 - Hardware method of locking a sector, either in-system or using programming equipment, to prevent any program or erase operation within that sector
 - Temporary Sector Unprotect allows changing data in protected sectors in-system

GENERAL DESCRIPTION

The Am29SL160C is a 16 Mbit, 1.8 V volt-only Flash memory organized as 2,097,152 bytes or 1,048,576 words. The data appears on DQ0–DQ15. The device is offered in 48-pin TSOP and 48-ball FBGA packages. The word-wide data (x16) appears on DQ15–DQ0; the byte-wide (x8) data appears on DQ7–DQ0. This device is designed to be programmed and erased in-system with a single 1.8 volt V_{CC} supply. No V_{PP} is required for program or erase operations. The device can also be programmed in standard EPROM programmers.

The standard device offers access times of 90, 100, 120, or 150 ns, allowing microprocessors to operate without wait states. To eliminate bus contention the device has separate chip enable (CE#), write enable (WE#) and output enable (OE#) controls.

The device requires only a **single 1.8 volt power supply** for both read and write functions. Internally generated and regulated voltages are provided for the program and erase operations.

The device is entirely command set compatible with the **JEDEC single-power-supply Flash standard**. Commands are written to the command register using standard microprocessor write timings. Register contents serve as input to an internal state-machine that controls the erase and programming circuitry. Write cycles also internally latch addresses and data needed for the programming and erase operations. Reading data out of the device is similar to reading from other Flash or EPROM devices.

Device programming occurs by executing the program command sequence. This initiates the **Embedded Program** algorithm—an internal algorithm that automatically times the program pulse widths and verifies proper cell margin. The **Unlock Bypass** mode facilitates faster programming times by requiring only two write cycles to program data instead of four.

Device erasure occurs by executing the erase command sequence. This initiates the **Embedded Erase** algorithm—an internal algorithm that automatically preprograms the array (if it is not already programmed) before executing the erase operation.

During erase, the device automatically times the erase pulse widths and verifies proper cell margin.

The host system can detect whether a program or erase operation is complete by observing the RY/BY# pin, or by reading the DQ7 (Data# Polling) and DQ6 (toggle) **status bits**. After a program or erase cycle completes, the device is ready to read array data or accept another command.

The **sector erase architecture** allows memory sectors to be erased and reprogrammed without affecting the data contents of other sectors. The device is fully erased when shipped from the factory.

Hardware data protection measures include a low V_{CC} detector that automatically inhibits write operations during power transitions. The **hardware sector protection** feature disables both program and erase operations in any combination of the sectors of memory. This is achieved in-system or via programming equipment.

The **Erase Suspend** feature enables the user to put erase on hold for any period of time to read data from, or program data to, any sector that is not selected for erasure. True background erase can thus be achieved.

The **hardware RESET# pin** terminates any operation in progress and resets the internal state machine to reading array data. The RESET# pin may be tied to the system reset circuitry. A system reset would thus also reset the device, enabling the system microprocessor to read the boot-up firmware from the Flash memory.

The device offers two power-saving features. When addresses are stable for a specified amount of time, the device enters the **automatic sleep mode**. The system can also place the device into the **standby mode**. Power consumption is greatly reduced in both modes.

AMD's Flash technology combines years of Flash memory manufacturing experience to produce the highest levels of quality, reliability and cost effectiveness. The device electrically erases all bits within a sector simultaneously via Fowler-Nordheim tunneling. The data is programmed using hot electron injection.

TABLE OF CONTENTS

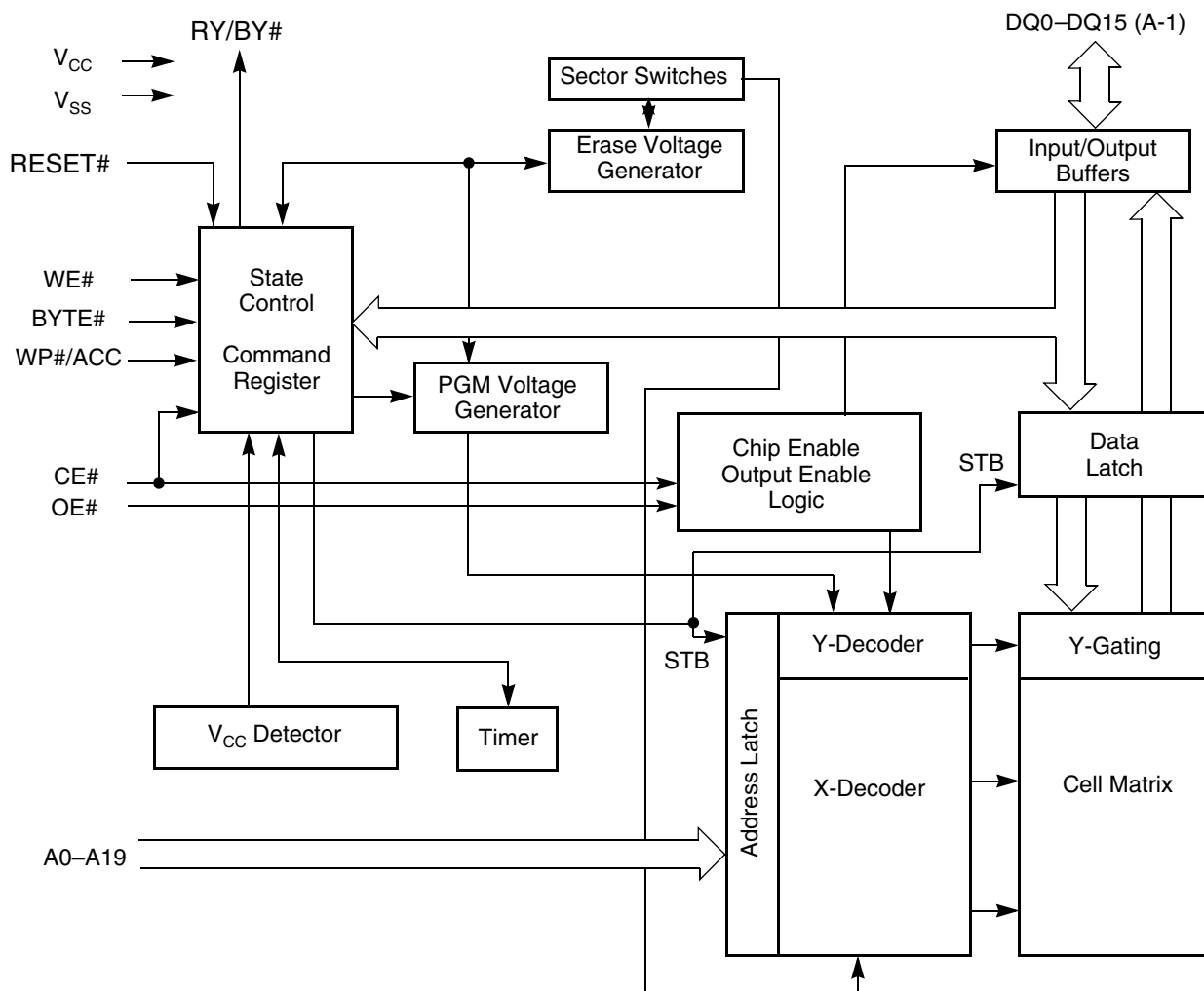
Product Selector Guide	4	Write Operation Status	27
Block Diagram	4	DQ7: Data# Polling	27
Connection Diagrams	5	Figure 5. Data# Polling Algorithm	27
Special Handling Instructions for FBGA Packages	6	RY/BY#: Ready/Busy#	28
Pin Configuration	7	DQ6: Toggle Bit I	28
Logic Symbol	7	DQ2: Toggle Bit II	28
Ordering Information	8	Reading Toggle Bits DQ6/DQ2	28
Device Bus Operations	9	DQ5: Exceeded Timing Limits	29
Table 1. Am29SL160C Device Bus Operations	9	DQ3: Sector Erase Timer	29
Word/Byte Configuration	9	Figure 6. Toggle Bit Algorithm.....	29
Requirements for Reading Array Data	9	Table 13. Write Operation Status	30
Writing Commands/Command Sequences	10	Absolute Maximum Ratings	31
Accelerated Program Operation	10	Figure 7. Maximum Negative Overshoot Waveform	31
Program and Erase Operation Status	10	Figure 8. Maximum Positive Overshoot Waveform.....	31
Standby Mode	10	Operating Ranges	31
Automatic Sleep Mode	10	DC Characteristics	32
RESET#: Hardware Reset Pin	10	Figure 9. I _{CC1} Current vs. Time (Showing Active and Automatic	
Output Disable Mode	11	Sleep Currents)	33
Table 2. Am29SL160CT Top Boot Sector Architecture	12	Figure 10. Typical I _{CC1} vs. Frequency	33
Table 3. Am29SL160CB Bottom Boot Sector Architecture	13	Test Conditions	34
Autoselect Mode	14	Figure 11. Test Setup.....	34
Table 4. Am29SL160C Autoselect Codes (High Voltage Method) ..	14	Table 14. Test Specifications	34
Sector/Sector Block Protection and Unprotection	15	Figure 12. Input Waveforms and Measurement Levels	34
Table 5. Top Boot Sector/Sector Block Addresses		AC Characteristics	35
for Protection/Unprotection	15	Read Operations	35
Table 6. Bottom Boot Sector/Sector Block		Figure 13. Read Operations Timings	35
Addresses for Protection/Unprotection	15	Hardware Reset (RESET#)	36
Write Protect (WP#)	16	Figure 14. RESET# Timings	36
Temporary Sector Unprotect	16	Word/Byte Configuration (BYTE#)	37
Figure 1. In-System Sector Protect/Unprotect Algorithms	17	Figure 15. BYTE# Timings for Read Operations.....	37
Figure 2. Temporary Sector Unprotect Operation.....	18	Figure 16. BYTE# Timings for Write Operations.....	37
Secured Silicon (SecSi) Sector Flash Memory Region	18	Erase/Program Operations	38
Table 7. SecSi Sector Addresses	18	Figure 17. Program Operation Timings.....	39
Hardware Data Protection	18	Figure 18. Chip/Sector Erase Operation Timings	40
Common Flash Memory Interface (CFI)	19	Figure 19. Data# Polling Timings (During Embedded Algorithms). 41	
Table 8. CFI Query Identification String	19	Figure 20. Toggle Bit Timings (During Embedded Algorithms).....	41
Table 9. System Interface String	20	Figure 21. DQ2 vs. DQ6.....	42
Table 10. Device Geometry Definition	20	Figure 22. Temporary Sector Unprotect Timing Diagram	42
Table 11. Primary Vendor-Specific Extended Query	21	Figure 23. Accelerated Program Timing Diagram.....	43
Command Definitions	21	Figure 24. Sector Protect/Unprotect Timing Diagram	43
Reading Array Data	21	Figure 25. Alternate CE# Controlled Write Operation Timings	45
Reset Command	21	Erase And Programming Performance	46
Autoselect Command Sequence	22	Latchup Characteristics	46
Enter SecSi Sector/Exit SecSi Sector Command Sequence ..	22	TSOP Pin Capacitance	46
Word/Byte Program Command Sequence	22	Data Retention	46
Figure 3. Program Operation	23	Physical Dimensions*	47
Chip Erase Command Sequence	24	TS 048—48-Pin Standard TSOP	47
Sector Erase Command Sequence	24	FBC048—48-Ball Fine-Pitch Ball Grid Array (FBGA)	
Erase Suspend/Erase Resume Commands	24	8 x 9 mm package	48
Figure 4. Erase Operation.....	25	Revision Summary	49
Command Definitions	26		
Table 12. Am29SL160C Command Definitions	26		

PRODUCT SELECTOR GUIDE

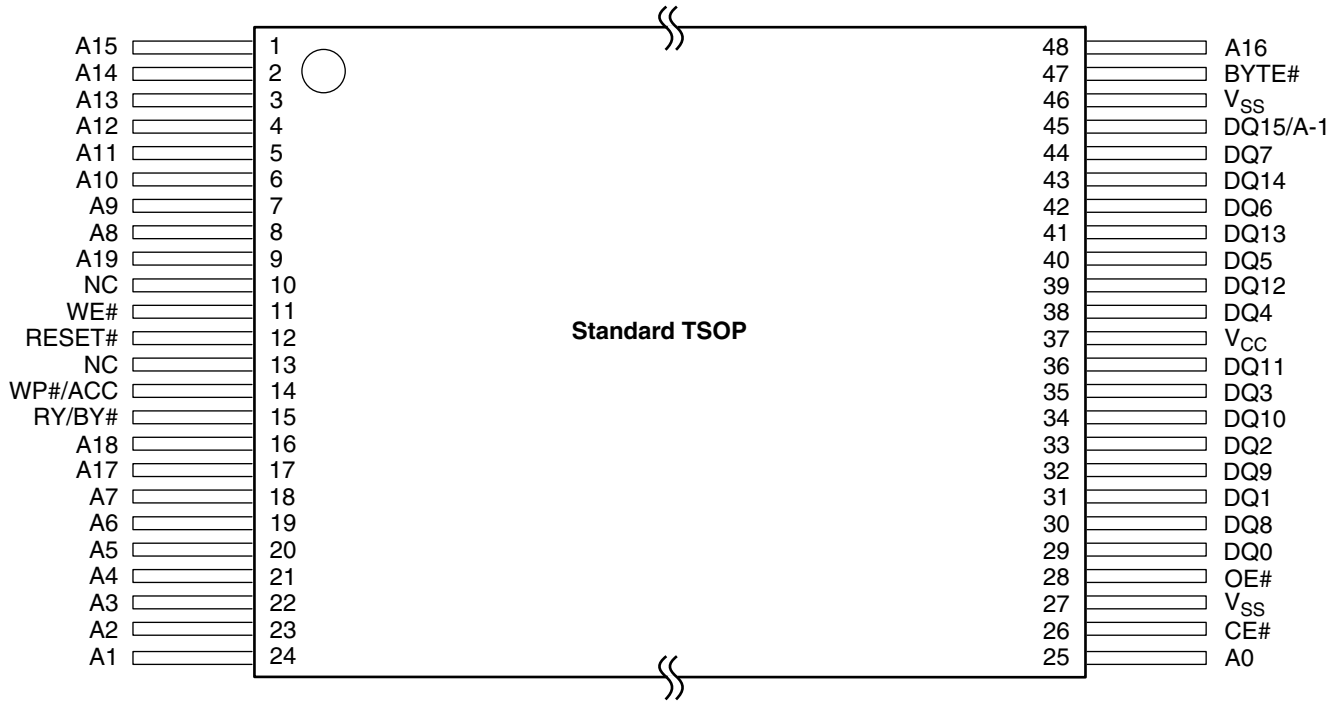
Family Part Number	Am29SL160C		
Speed Options	-100	-120	-150
Max access time, ns (t_{ACC})	100	120	150
Max CE# access time, ns (t_{CE})	100	120	150
Max OE# access time, ns (t_{OE})	35	50	65

Note: See "AC Characteristics" for full specifications.

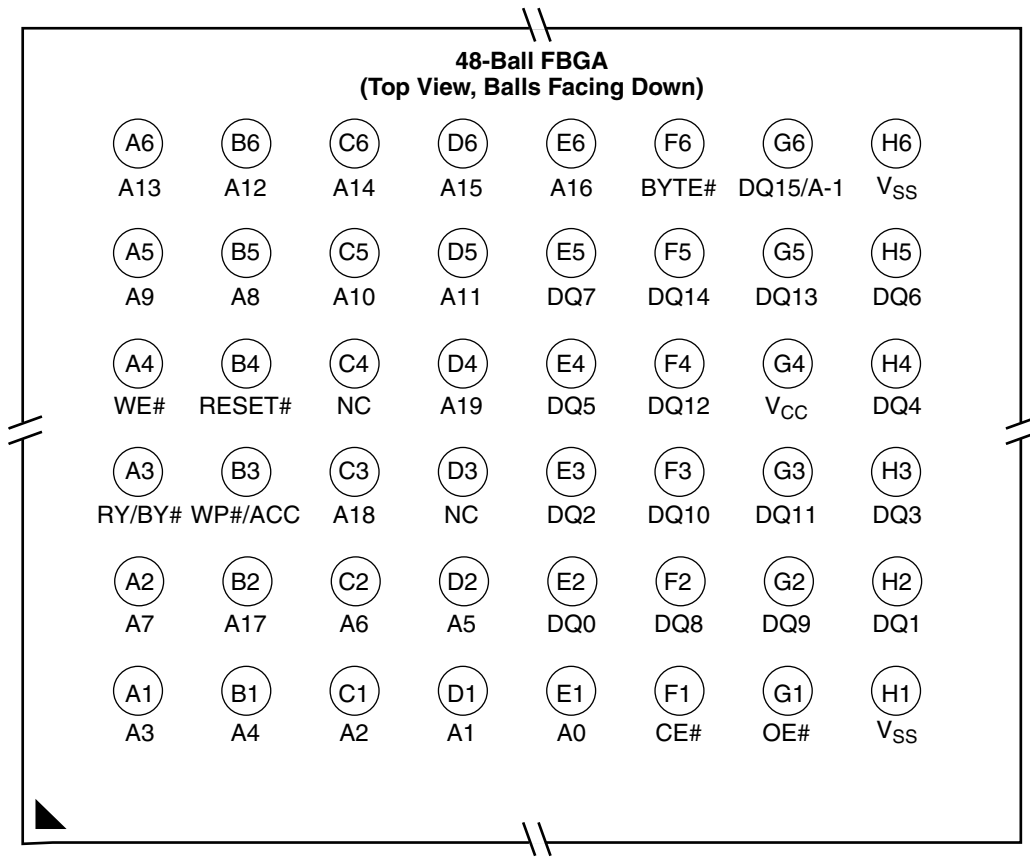
BLOCK DIAGRAM



CONNECTION DIAGRAMS



CONNECTION DIAGRAMS (Continued)



Special Handling Instructions for FBGA Packages

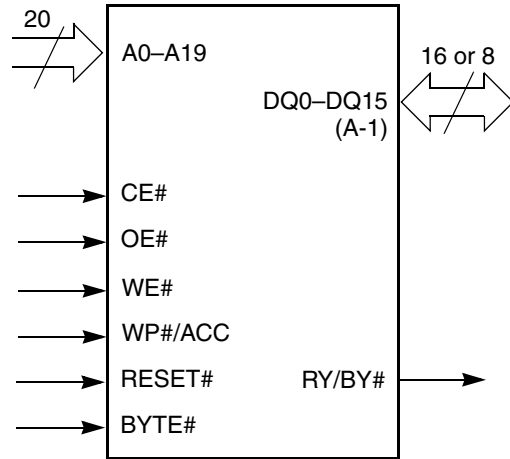
Special handling is required for Flash Memory products in FBGA packages.

Flash memory devices in FBGA packages may be damaged if exposed to ultrasonic cleaning methods. The package and/or data integrity may be compromised if the package body is exposed to temperatures above 150°C for prolonged periods of time.

PIN CONFIGURATION

- A0–A19 = 20 addresses
- DQ0–DQ14 = 15 data inputs/outputs
- DQ15/A-1 = DQ15 (data input/output, word mode),
A-1 (LSB address input, byte mode)
- CE# = Chip enable
- OE# = Output enable
- WE# = Write enable
- WP#/ACC = Hardware write protect/acceleration
pin
- RESET# = Hardware reset pin, active low
- BYTE# = Selects 8-bit or 16-bit mode
- RY/BY# = Ready/Busy# output
- V_{CC} = 1.8–2.2 V single power supply
- V_{SS} = Device ground
- NC = Pin not connected internally

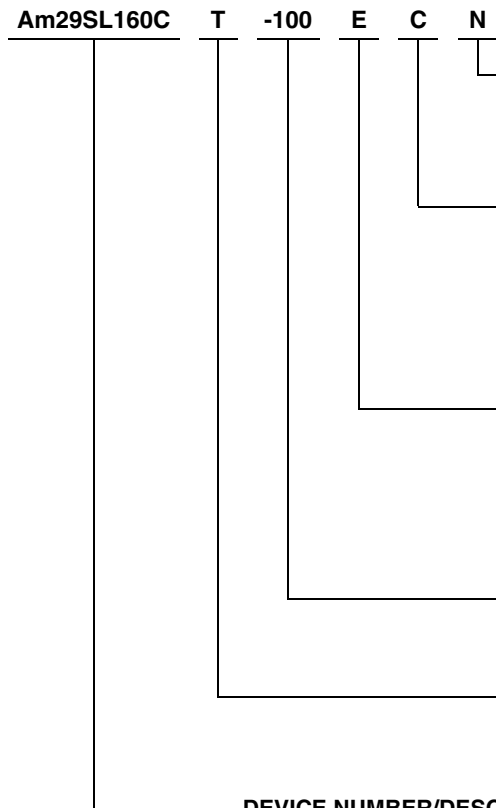
LOGIC SYMBOL



ORDERING INFORMATION

Standard Products

AMD standard products are available in several packages and operating ranges. The order number (Valid Combination) is formed by a combination of the elements below.



STANDARD PROCESSING

N = SecSi Sector factory-locked with random ESN
(Contact an AMD representative for more information)

TEMPERATURE RANGE

C = Commercial (0°C to +70°C)
I = Industrial (-40°C to +85°C)
D = Commercial (0°C to +70°C) with Pb-free Package
F = Industrial (-40°C to +85°C) with Pb-free Package

PACKAGE TYPE

E = 48-Pin Thin Small Outline Package (TSOP)
Standard Pinout (TS 048)
WC = 48-ball Fine-Pitch Ball Grid Array (FBGA)
0.80 mm pitch, 8 x 9 mm package (FBC048)

SPEED OPTION

See Product Selector Guide and Valid Combinations

BOOT CODE SECTOR ARCHITECTURE

T = Top sector
B = Bottom sector

DEVICE NUMBER/DESCRIPTION

Am29SL160C
16 Megabit (2 M x 8-Bit/1 M x 16-Bit) CMOS Flash Memory
1.8 Volt-only Read, Program, and Erase

Valid Combinations for TSOP Packages	
AM29SL160CT-100, AM29SL160CB-100	EC, EI ED, EF
AM29SL160CT-120, AM29SL160CB-120	
AM29SL160CT-150, AM29SL160CB-150	

Valid Combinations for FBGA Packages			
Order Number		Package Marking	
AM29SL160CT-100, AM29SL160CB-100	WCC, WCI, WCD, WCF	A160CT10V, A160CB10V	C, I, D, F
AM29SL160CT-120, AM29SL160CB-120		A160CT12V, A160CB12V	
AM29SL160CT-150, AM29SL160CB-150		A160CT15V, A160CB15V	

Valid Combinations

Valid Combinations list configurations planned to be supported in volume for this device. Consult the local AMD sales office to confirm availability of specific valid combinations and to check on newly released combinations.

DEVICE BUS OPERATIONS

This section describes the requirements and use of the device bus operations, which are initiated through the internal command register. The command register itself does not occupy any addressable memory location. The register is composed of latches that store the commands, along with the address and data information needed to execute the command. The contents of

the register serve as inputs to the internal state machine. The state machine outputs dictate the function of the device. [Table 1](#) lists the device bus operations, the inputs and control levels they require, and the resulting output. The following subsections describe each of these operations in further detail.

Table 1. Am29SL160C Device Bus Operations

Operation	CE#	OE#	WE#	RESET#	WP#/ACC	Addresses (Note 1)	DQ0– DQ7	DQ8–DQ15	
								BYTE# = V _{IH}	BYTE# = V _{IL}
Read	L	L	H	H	X	A _{IN}	D _{OUT}	D _{OUT}	DQ8–DQ14 = High-Z, DQ15 = A-1
Write (Program/Erase)	L	H	L	H	(Note 3)	A _{IN}	D _{IN}	D _{IN}	
Standby	V _{CC} ± 0.2 V	X	X	V _{CC} ± 0.2 V	X	X	High-Z	High-Z	High-Z
Output Disable	L	H	H	H	X	X	High-Z	High-Z	High-Z
Reset	X	X	X	L	X	X	High-Z	High-Z	High-Z
Sector Protect (Note 2)	L	H	L	V _{ID}	X	Sector Address, A6 = L, A1 = H, A0 = L	D _{IN}	X	X
Sector Unprotect (Note 2)	L	H	L	V _{ID}	(Note 3)	Sector Address, A6 = H, A1 = H, A0 = L	D _{IN}	X	X
Temporary Sector Unprotect	X	X	X	V _{ID}	(Note 3)	A _{IN}	D _{IN}	D _{IN}	High-Z

Legend:

L = Logic Low = V_{IL}, H = Logic High = V_{IH}, V_{ID} = 10 ± 1.0 V, V_{HH} = 10 ± 0.5 V, X = Don't Care, A_{IN} = Address In, D_{IN} = Data In, D_{OUT} = Data Out

Notes:

- Addresses are A19:A0 in word mode (BYTE# = V_{IH}), A19:A-1 in byte mode (BYTE# = V_{IL}).
- The sector protect and sector unprotect functions may also be implemented via programming equipment. See [“Sector/Sector Block Protection and Unprotection” on page 15](#).
- If WP#/ACC = V_{IL}, the two outermost boot sectors are protected. If WP#/ACC = V_{IH}, the two outermost boot sectors are protected or unprotected as previously set by the system. If WP#/ACC = V_{HH}, all sectors, including the two outermost boot sectors, are unprotected.

Word/Byte Configuration

The BYTE# pin controls whether the device data I/O pins DQ15–DQ0 operate in the byte or word configuration. If the BYTE# pin is set at logic ‘1’, the device is in word configuration, DQ15–DQ0 are active and controlled by CE# and OE#.

If the BYTE# pin is set at logic ‘0’, the device is in byte configuration, and only data I/O pins DQ0–DQ7 are active and controlled by CE# and OE#. The data I/O pins DQ8–DQ14 are tri-stated, and the DQ15 pin is used as an input for the LSB (A-1) address function.

Requirements for Reading Array Data

To read array data from the outputs, the system must drive the CE# and OE# pins to V_{IL}. CE# is the power control and selects the device. OE# is the output control and gates array data to the output pins. WE# should remain at V_{IH}. The BYTE# pin determines whether the device outputs array data in words or bytes.

The internal state machine is set for reading array data upon device power-up, or after a hardware reset. This ensures that no spurious alteration of the memory content occurs during the power transition. No command is necessary in this mode to obtain array

data. Standard microprocessor read cycles that assert valid addresses on the device address inputs produce valid data on the device data outputs. The device remains enabled for read access until the command register contents are altered.

See [“Reading Array Data” on page 21](#) for more information. Refer to the AC table for timing specifications and to [Figure 13, on page 35](#) for the timing diagram. I_{CC1} in the DC Characteristics table represents the active current specification for reading array data.

Writing Commands/Command Sequences

To write a command or command sequence (which includes programming data to the device and erasing sectors of memory), the system must drive WE# and CE# to V_{IL} , and OE# to V_{IH} .

For program operations, the BYTE# pin determines whether the device accepts program data in bytes or words. Refer to [“Word/Byte Configuration” on page 9](#) for more information.

The device features an **Unlock Bypass** mode to facilitate faster programming. Once the device enters the Unlock Bypass mode, only two write cycles are required to program a word or byte, instead of four. The [“Word/Byte Program Command Sequence” on page 22](#) contains details on programming data to the device using both standard and Unlock Bypass command sequences.

An erase operation can erase one sector, multiple sectors, or the entire device. [Table 2, on page 12](#) and [Table 3, on page 13](#) indicate the address space that each sector occupies. A “sector address” consists of the address bits required to uniquely select a sector. The [“Command Definitions” on page 21](#) contains details on erasing a sector or the entire chip, or suspending/resuming the erase operation.

After the system writes the autoselect command sequence, the device enters the autoselect mode. The system can then read autoselect codes from the internal register (which is separate from the memory array) on DQ7–DQ0. Standard read cycle timings apply in this mode. Refer to [“Autoselect Mode” on page 14](#) and [“Autoselect Command Sequence” on page 22](#) for more information.

I_{CC2} in the DC Characteristics table represents the active current specification for the write mode. The [“AC Characteristics” on page 35](#) contains timing specification tables and timing diagrams for write operations.

Accelerated Program Operation

The device offers accelerated program operation through the ACC function, which is one of two functions provided by the WP#/ACC pin. This function is primarily intended to allow faster in-system programming of the device during the system production process.

If the system asserts V_{HH} on the pin, the device automatically enters the aforementioned Unlock Bypass mode and uses the higher voltage on the pin to reduce the time required for program operations. The system would use a two-cycle program command sequence as required by the Unlock Bypass mode. Removing V_{HH} from the WP#/ACC pin returns the device to normal operation.

Program and Erase Operation Status

During an erase or program operation, the system may check the status of the operation by reading the status bits on DQ7–DQ0. Standard read cycle timings and I_{CC} read specifications apply. Refer to [“Write Operation Status” on page 27](#) for more information, and to [“AC Characteristics” on page 35](#) for timing diagrams.

Standby Mode

When the system is not reading or writing to the device, it can place the device in the standby mode. In this mode, current consumption is greatly reduced, and the outputs are placed in the high impedance state, independent of the OE# input.

The device enters the CMOS standby mode when the CE# and RESET# pins are both held at $V_{CC} \pm 0.2$ V. (Note that this is a more restricted voltage range than V_{IH} .) If CE# and RESET# are held at V_{IH} , but not within $V_{CC} \pm 0.2$ V, the device is in the standby mode, but the standby current is greater. The device requires standard access time (t_{CE}) for read access when the device is in either of these standby modes, before it is ready to read data.

The device also enters the standby mode when the RESET# pin is driven low. Refer to [“RESET#: Hardware Reset Pin” on page 10](#).

If the device is deselected during erasure or programming, the device draws active current until the operation is completed.

I_{CC3} in the DC Characteristics table represents the standby current specification.

Automatic Sleep Mode

The automatic sleep mode minimizes Flash device energy consumption. The device automatically enables this mode when addresses remain stable for $t_{ACC} + 50$ ns. The automatic sleep mode is independent of the CE#, WE#, and OE# control signals. Standard address access timings provide new data when addresses are changed. While in sleep mode, output data is latched and always available to the system. I_{CC4} in the DC Characteristics table represents the automatic sleep mode current specification.

RESET#: Hardware Reset Pin

The RESET# pin provides a hardware method of resetting the device to reading array data. When the

RESET# pin is driven low for at least a period of t_{RP} , the device **immediately terminates** any operation in progress, tristates all output pins, and ignores all read/write commands for the duration of the RESET# pulse. The device also resets the internal state machine to reading array data. The operation that was interrupted should be reinitiated once the device is ready to accept another command sequence, to ensure data integrity.

Current is reduced for the duration of the RESET# pulse. When RESET# is held at $V_{SS} \pm 0.2$ V, the device draws CMOS standby current (I_{CC4}). If RESET# is held at V_{IL} but not within $V_{SS} \pm 0.2$ V, the standby current is greater.

The RESET# pin may be tied to the system reset circuitry. A system reset would thus also reset the Flash memory, enabling the system to read the boot-up firmware from the Flash memory.

If RESET# is asserted during a program or erase operation, the RY/BY# pin remains a "0" (busy) until the internal reset operation is complete, which requires a time of t_{READY} (during Embedded Algorithms). The system can thus monitor RY/BY# to determine whether the reset operation is complete. If RESET# is asserted when a program or erase operation is not executing (RY/BY# pin is "1"), the reset operation is completed within a time of t_{READY} (not during Embedded Algorithms). The system can read data t_{RH} after the RESET# pin returns to V_{IH} .

Refer to ["AC Characteristics" on page 35](#) for RESET# parameters and to ["RESET# Timings" on page 36](#) for the timing diagram.

Output Disable Mode

When the OE# input is at V_{IH} , output from the device is disabled. The output pins are placed in the high impedance state.

Table 2. Am29SL160CT Top Boot Sector Architecture

Sector	Sector Address								Sector Size (Kbytes/Kwords)	Address Range (in Hexadecimal)	
	A19	A18	A17	A16	A15	A14	A13	A12		Byte Mode (x8)	Word Mode (x16)
SA0	0	0	0	0	0	X	X	X	64/32	000000h–00FFFFh	00000h–07FFFh
SA1	0	0	0	0	1	X	X	X	64/32	010000h–01FFFFh	08000h–0FFFFh
SA2	0	0	0	1	0	X	X	X	64/32	020000h–02FFFFh	10000h–17FFFh
SA3	0	0	0	1	1	X	X	X	64/32	030000h–03FFFFh	18000h–1FFFFh
SA4	0	0	1	0	0	X	X	X	64/32	040000h–04FFFFh	20000h–27FFFh
SA5	0	0	1	0	1	X	X	X	64/32	050000h–05FFFFh	28000h–2FFFFh
SA6	0	0	1	1	0	X	X	X	64/32	060000h–06FFFFh	30000h–37FFFh
SA7	0	0	1	1	1	X	X	X	64/32	070000h–07FFFFh	38000h–3FFFFh
SA8	0	1	0	0	0	X	X	X	64/32	080000h–08FFFFh	40000h–47FFFh
SA9	0	1	0	0	1	X	X	X	64/32	090000h–09FFFFh	48000h–4FFFFh
SA10	0	1	0	1	0	X	X	X	64/32	0A0000h–0AFFFFh	50000h–57FFFh
SA11	0	1	0	1	1	X	X	X	64/32	0B0000h–0BFFFFh	58000h–5FFFFh
SA12	0	1	1	0	0	X	X	X	64/32	0C0000h–0CFFFFh	60000h–67FFFh
SA13	0	1	1	0	1	X	X	X	64/32	0D0000h–0DFFFFh	68000h–6FFFFh
SA14	0	1	1	1	0	X	X	X	64/32	0E0000h–0EFFFFh	70000h–77FFFh
SA15	0	1	1	1	1	X	X	X	64/32	0F0000h–0FFFFFh	78000h–7FFFFh
SA16	1	0	0	0	0	X	X	X	64/32	100000h–10FFFFh	80000h–87FFFh
SA17	1	0	0	0	1	X	X	X	64/32	110000h–11FFFFh	88000h–8FFFFh
SA18	1	0	0	1	0	X	X	X	64/32	120000h–12FFFFh	90000h–97FFFh
SA19	1	0	0	1	1	X	X	X	64/32	130000h–13FFFFh	98000h–9FFFFh
SA20	1	0	1	0	0	X	X	X	64/32	140000h–14FFFFh	A0000h–A7FFFh
SA21	1	0	1	0	1	X	X	X	64/32	150000h–15FFFFh	A8000h–AFFFFh
SA22	1	0	1	1	0	X	X	X	64/32	160000h–16FFFFh	B0000h–B7FFFh
SA23	1	0	1	1	1	X	X	X	64/32	170000h–17FFFFh	B8000h–BFFFFh
SA24	1	1	0	0	0	X	X	X	64/32	180000h–18FFFFh	C0000h–C7FFFh
SA25	1	1	0	0	1	X	X	X	64/32	190000h–19FFFFh	C8000h–CFFFFh
SA26	1	1	0	1	0	X	X	X	64/32	1A0000h–1AFFFFh	D0000h–D7FFFh
SA27	1	1	0	1	1	X	X	X	64/32	1B0000h–1BFFFFh	D8000h–DFFFFh
SA28	1	1	1	0	0	X	X	X	64/32	1C0000h–1CFFFFh	E0000h–E7FFFh
SA29	1	1	1	0	1	X	X	X	64/32	1D0000h–1DFFFFh	E8000h–EFFFFh
SA30	1	1	1	1	0	X	X	X	64/32	1E0000h–1EFFFFh	F0000h–F7FFFh
SA31	1	1	1	1	1	0	0	0	8/4	1F0000h–1F1FFFh	F8000h–F8FFFh
SA32	1	1	1	1	1	0	0	1	8/4	1F2000h–1F3FFFh	F9000h–F9FFFh
SA33	1	1	1	1	1	0	1	0	8/4	1F4000h–1F5FFFh	FA000h–FAFFFh
SA34	1	1	1	1	1	0	1	1	8/4	1F6000h–1F7FFFh	FB000h–FBFFFh
SA35	1	1	1	1	1	1	0	0	8/4	1F8000h–1F9FFFh	FC0004–FCFFFh
SA36	1	1	1	1	1	1	0	1	8/4	1FA000h–1FBFFFh	FD000h–FDFFFh
SA37	1	1	1	1	1	1	1	0	8/4	1FC000h–1DFFFFh	FE000h–FEFFFh
SA38	1	1	1	1	1	1	1	1	8/4	1FE000h–1FFFFFFh	FF000h–FFFFFFh

Note: Address range is A19:A-1 in byte mode and A19:A0 in word mode. See “Word/Byte Configuration” section for more information.

Table 3. Am29SL160CB Bottom Boot Sector Architecture

Sector	Sector Address								Sector Size (Kbytes/Kwords)	Address Range (in hexadecimal)	
	A19	A18	A17	A16	A15	A14	A13	A12		Byte Mode (x8)	Word Mode (x16)
SA0	0	0	0	0	0	0	0	0	8/4	00000h–00FFFFh	0000h–00FFFFh
SA1	0	0	0	0	0	0	0	1	8/4	002000h–003FFFFh	01000h–01FFFFh
SA2	0	0	0	0	0	0	1	0	8/4	004000h–005FFFFh	02000h–02FFFFh
SA3	0	0	0	0	0	0	1	1	8/4	006000h–007FFFFh	03000h–03FFFFh
SA4	0	0	0	0	0	1	0	0	8/4	008000h–009FFFFh	04000h–04FFFFh
SA5	0	0	0	0	0	1	0	1	8/4	00A000h–00BFFFFh	05000h–05FFFFh
SA6	0	0	0	0	0	1	1	0	8/4	00C000h–00DFFFFh	06000h–06FFFFh
SA7	0	0	0	0	0	1	1	1	8/4	00E000h–00FFFFFFh	07000h–07FFFFh
SA8	0	0	0	0	1	X	X	X	64/32	010000h–01FFFFh	08000h–0FFFFh
SA9	0	0	0	1	0	X	X	X	64/32	020000h–02FFFFh	10000h–17FFFFh
SA10	0	0	0	1	1	X	X	X	64/32	030000h–03FFFFh	18000h–1FFFFh
SA11	0	0	1	0	0	X	X	X	64/32	040000h–04FFFFh	20000h–27FFFFh
SA12	0	0	1	0	1	X	X	X	64/32	050000h–05FFFFh	28000h–2FFFFh
SA13	0	0	1	1	0	X	X	X	64/32	060000h–06FFFFh	30000h–37FFFFh
SA14	0	0	1	1	1	X	X	X	64/32	070000h–07FFFFh	38000h–3FFFFh
SA15	0	1	0	0	0	X	X	X	64/32	080000h–08FFFFh	40000h–47FFFFh
SA16	0	1	0	0	1	X	X	X	64/32	090000h–09FFFFh	48000h–4FFFFh
SA17	0	1	0	1	0	X	X	X	64/32	0A0000h–0AFFFFh	50000h–57FFFFh
SA18	0	1	0	1	1	X	X	X	64/32	0B0000h–0BFFFFh	58000h–5FFFFh
SA19	0	1	1	0	0	X	X	X	64/32	0C0000h–0CFFFFh	60000h–67FFFFh
SA20	0	1	1	0	1	X	X	X	64/32	0D0000h–0DFFFFh	68000h–6FFFFh
SA21	0	1	1	1	0	X	X	X	64/32	0E0000h–0EFFFFh	70000h–77FFFFh
SA22	0	1	1	1	1	X	X	X	64/32	0F0000h–0FFFFFFh	78000h–7FFFFh
SA23	1	0	0	0	0	X	X	X	64/32	100000h–10FFFFh	80000h–87FFFFh
SA24	1	0	0	0	1	X	X	X	64/32	110000h–11FFFFh	88000h–8FFFFh
SA25	1	0	0	1	0	X	X	X	64/32	120000h–12FFFFh	90000h–97FFFFh
SA26	1	0	0	1	1	X	X	X	64/32	130000h–13FFFFh	98000h–9FFFFh
SA27	1	0	1	0	0	X	X	X	64/32	140000h–14FFFFh	A0000h–A7FFFFh
SA28	1	0	1	0	1	X	X	X	64/32	150000h–15FFFFh	A8000h–AFFFFh
SA29	1	0	1	1	0	X	X	X	64/32	160000h–16FFFFh	B0000h–B7FFFFh
SA30	1	0	1	1	1	X	X	X	64/32	170000h–17FFFFh	B8000h–BFFFFh
SA31	1	1	0	0	0	X	X	X	64/32	180000h–18FFFFh	C0000h–C7FFFFh
SA32	1	1	0	0	1	X	X	X	64/32	190000h–19FFFFh	C8000h–CFFFFh
SA33	1	1	0	1	0	X	X	X	64/32	1A0000h–1AFFFFh	D0000h–D7FFFFh
SA34	1	1	0	1	1	X	X	X	64/32	1B0000h–1BFFFFh	D8000h–DFFFFh
SA35	1	1	1	0	0	X	X	X	64/32	1C0000h–1CFFFFh	E0000h–E7FFFFh
SA36	1	1	1	0	1	X	X	X	64/32	1D0000h–1DFFFFh	E8000h–EFFFFh
SA37	1	1	1	1	0	X	X	X	64/32	1E0000h–1EFFFFh	F0000h–F7FFFFh
SA38	1	1	1	1	1	X	X	X	64/32	1F0000h–1FFFFFFh	F8000h–FFFFFFh

Note: Address range is A19:A-1 in byte mode and A19:A0 in word mode. See “Word/Byte Configuration” section for more information.

Autoselect Mode

The autoselect mode provides manufacturer and device identification, and sector protection verification, through identifier codes output on DQ7–DQ0. This mode is primarily intended for programming equipment to automatically match a device to be programmed with its corresponding programming algorithm. However, the autoselect codes can also be accessed in-system through the command register.

When using programming equipment, the autoselect mode requires V_{ID} on address pin A9. Address pins A6, A1, and A0 must be as shown in Table 4. In addition, when verifying sector protection, the sector address

must appear on the appropriate highest order address bits (see Tables 2 and 3). Table 4 shows the remaining address bits that are don't care. When all necessary bits are set as required, the programming equipment may then read the corresponding identifier code on DQ7–DQ0.

To access the autoselect codes in-system, the host system can issue the autoselect command via the command register, as shown in Table 12, on page 26. This method does not require V_{ID} . See “Command Definitions” on page 21 for details on using the autoselect mode.

Table 4. Am29SL160C Autoselect Codes (High Voltage Method)

Description	Mode	CE#	OE#	WE#	A19 to A12	A11 to A10	A9	A8 to A7	A6	A5 to A2	A1	A0	DQ8 to DQ15	DQ7 to DQ0
Manufacturer ID: AMD		L	L	H	X	X	V_{ID}	X	L	X	L	L	X	01h
Device ID: Am29SL160CT (Top Boot Block)	Word	L	L	H	X	X	V_{ID}	X	L	X	L	H	22h	E4
	Byte	L	L	H									X	E4
Device ID: Am29SL160CB (Bottom Boot Block)	Word	L	L	H	X	X	V_{ID}	X	L	X	L	H	22h	E7
	Byte	L	L	H									X	E7
Sector Protection Verification		L	L	H	SA	X	V_{ID}	X	L	X	H	L	X	01h (protected)
													X	00h (unprotected)
SecSi Sector Indicator bit (DQ7)		L	L	H	SA	X	V_{ID}	X	L	X	H	H	X	81h (factory locked)

$L = \text{Logic Low} = V_{IL}$, $H = \text{Logic High} = V_{IH}$, SA = Sector Address, X = Don't care.

Note: Outputs for data bits DQ8–DQ15 are for $BYTE\# = V_{IH}$. DQ8–DQ15 are don't care when $BYTE\# = V_{IL}$.

Sector/Sector Block Protection and Unprotection

(Note: For the following discussion, the term “sector” applies to both sectors and sector blocks. A sector block consists of two or more adjacent sectors that are protected or unprotected at the same time (see [Table 5](#) and [Table 6](#)).

Table 5. Top Boot Sector/Sector Block Addresses for Protection/Unprotection

Sector / Sector Block	A19–A12	Sector / Sector Block Size
SA0	00000XXX	64 Kbytes
SA1-SA3	00001XXX, 00010XXX, 00011XXX	192 (3x64) Kbytes
SA4-SA7	001XXXXX	256 (4x64) Kbytes
SA8-SA11	010XXXXX	256 (4x64) Kbytes
SA12-SA15	011XXXXX	256 (4x64) Kbytes
SA16-SA19	100XXXXX	256 (4x64) Kbytes
SA20-SA23	101XXXXX	256 (4x64) Kbytes
SA24-SA27	110XXXXX	256 (4x64) Kbytes
SA28-SA30	11100XXX, 11101XXX, 11110XXX	192 (3x64) Kbytes
SA31	11111000	8 Kbytes
SA32	11111001	8 Kbytes
SA33	11111010	8 Kbytes
SA34	11111011	8 Kbytes
SA35	11111100	8 Kbytes
SA36	11111101	8 Kbytes
SA37	11111110	8 Kbytes
SA38	11111111	8 Kbytes

Table 6. Bottom Boot Sector/Sector Block Addresses for Protection/Unprotection

Sector / Sector Block	A19–A12	Sector / Sector Block Size
SA38	11111XXX	64 Kbytes
SA37-SA35	11110XXX, 11101XXX, 11100XXX	192 (3x64) Kbytes
SA34-SA31	110XXXXX	256 (4x64) Kbytes
SA30-SA27	101XXXXX	256 (4x64) Kbytes
SA26-SA23	100XXXXX	256 (4x64) Kbytes
SA22-SA19	011XXXXX	256 (4x64) Kbytes
SA18-SA15	010XXXXX	256 (4x64) Kbytes
SA14-SA11	001XXXXX	256 (4x64) Kbytes
SA10-SA8	00001XXX, 00010XXX, 00011XXX	192 (3x64) Kbytes
SA7	00000111	8 Kbytes
SA6	00000110	8 Kbytes
SA5	00000101	8 Kbytes
SA4	00000100	8 Kbytes
SA3	00000011	8 Kbytes
SA2	00000010	8 Kbytes
SA1	00000001	8 Kbytes
SA0	00000000	8 Kbytes

The hardware sector protection feature disables both program and erase operations in any sector. The hardware sector unprotection feature re-enables both program and erase operations in previously protected sectors. Sector protection/unprotection is implemented via two methods.

The primary method requires V_{ID} on the RESET# pin only, and is implemented either in-system or via programming equipment. [Figure 1, on page 17](#) shows the algorithms and [Figure 24, on page 43](#) shows the timing diagram. This method uses standard microprocessor bus cycle timing. For sector unprotect, all unprotected sectors must first be protected prior to the first sector unprotect write cycle.

The alternate method intended only for programming equipment requires V_{ID} on address pin A9 and OE#. This method is compatible with programmer routines written for earlier 3.0 volt-only AMD flash devices. Publication number 21622 contains further details. Contact an AMD representative to request the document containing further details.

The device is shipped with all sectors unprotected. AMD offers the option of programming and protecting sectors at its factory prior to shipping the device through AMD's ExpressFlash™ Service. Contact an AMD representative for details.

It is possible to determine whether a sector is protected or unprotected. See [“Autoselect Mode” on page 14](#) for details.

Write Protect (WP#)

The write protect function provides a hardware method of protecting certain boot sectors without using V_{ID} . This function is one of two provided by the WP#/ACC pin.

If the system asserts V_{IL} on the WP#/ACC pin, the device disables program and erase functions in the two “outermost” 8 Kbyte boot sectors independently of whether those sectors were protected or unprotected

using the method described in [“Sector/Sector Block Protection and Unprotection” on page 15](#). The two outermost 8 Kbyte boot sectors are the two sectors containing the lowest addresses in a bottom-boot-configured device, or the two sectors containing the highest addresses in a top-boot-configured device.

If the system asserts V_{IH} on the WP#/ACC pin, the device reverts to whether the two outermost 8 Kbyte boot sectors were last set to be protected or unprotected. That is, sector protection or unprotection for these two sectors depends on whether they were last protected or unprotected using the method described in [“Sector/Sector Block Protection and Unprotection” on page 15](#).

Note that if the system asserts V_{HH} on the WP#/ACC pin, all sectors, including the two outermost sectors, are unprotected. V_{HH} is intended for accelerated in-system programming of the device during system production. It is advisable, therefore, not to assert V_{HH} on this pin after the system has been placed in the field for use. If faster programming is desired, the system may use the unlock bypass program command sequence.

Temporary Sector Unprotect

This feature allows temporary unprotection of previously protected sectors to change data in-system. The Sector Unprotect mode is activated by setting the RESET# pin to V_{ID} . During this mode, formerly protected sectors can be programmed or erased by selecting the sector addresses. Once V_{ID} is removed from the RESET# pin, all the previously protected sectors are protected again. [Figure 2, on page 18](#) shows the algorithm, and [Figure 22, on page 42](#) shows the timing diagrams, for this feature.

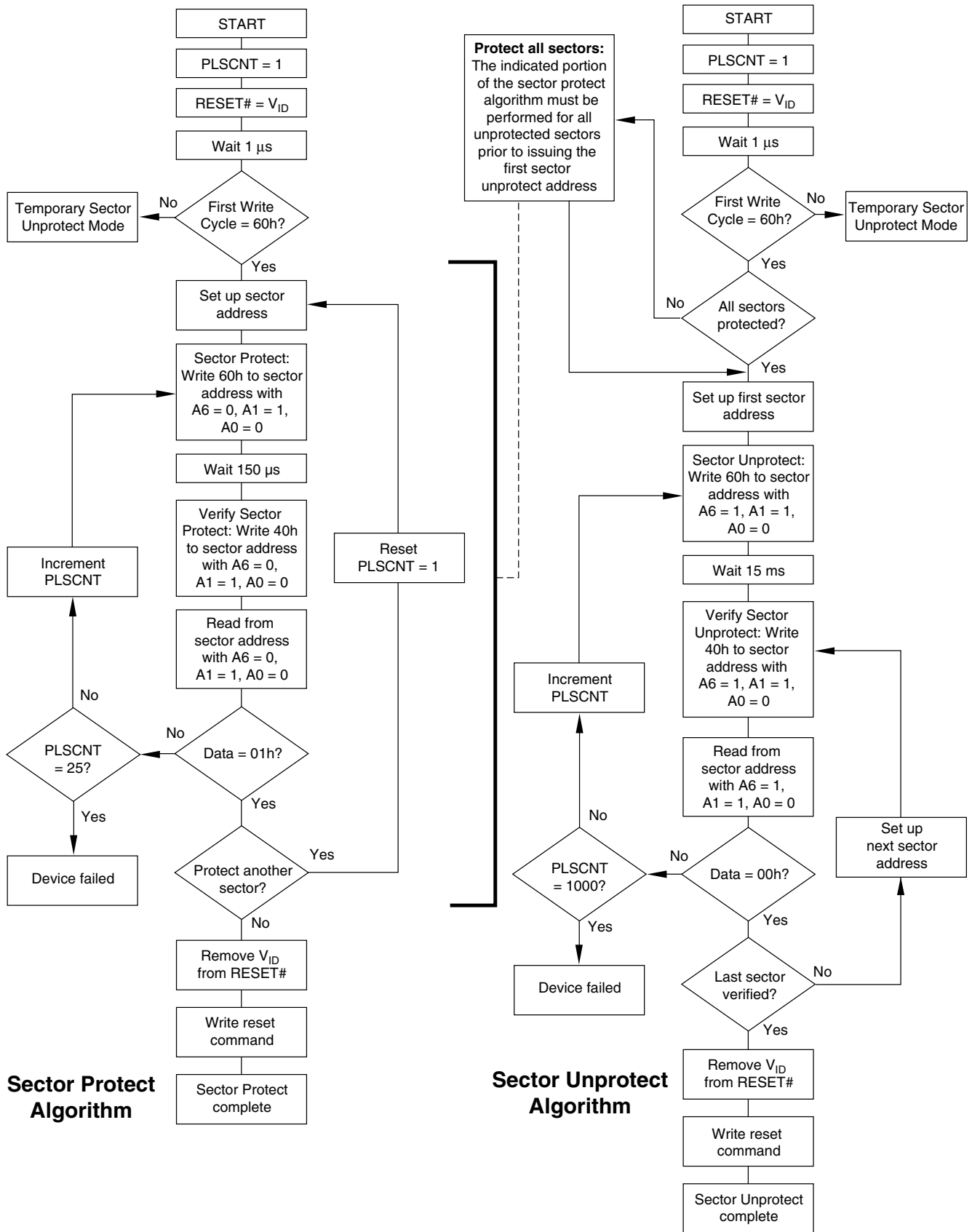
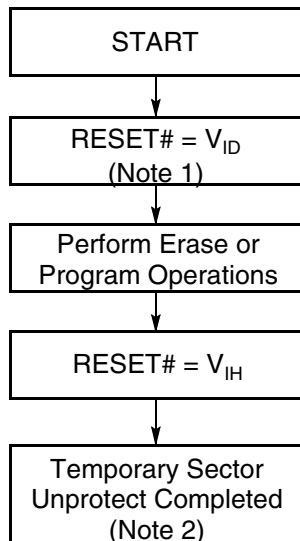


Figure 1. In-System Sector Protect/Unprotect Algorithms

**Notes:**

1. All protected sectors unprotected. (If WP#/ACC = V_{IL} , the outermost sectors remain protected)
2. All previously protected sectors are protected once again.

Figure 2. Temporary Sector Unprotect Operation

Secured Silicon (SecSi) Sector Flash Memory Region

The Secured Silicon (SecSi) Sector is a flash memory region that enables permanent part identification through an Electronic Serial Number (ESN). The SecSi Sector in this device is 256 bytes in length. The device contains a SecSi Sector indicator bit that allows the system to determine whether or not the SecSi Sector was factory locked. This indicator bit is permanently set at the factory and cannot be changed, which prevents a factory-locked part from being cloned.

AMD offers this device only with the SecSi Sector factory serialized and locked. The first sixteen bytes of the SecSi Sector contain a random ESN. To utilize the remainder SecSi Sector space, customers must provide their code to AMD through AMD's Express Flash service. The factory will program and permanently protect the SecSi Sector (in addition to programming and protecting the remainder of the device as required).

The system can read the SecSi Sector by writing the Enter SecSi Sector command sequence (see ["Enter SecSi Sector/Exit SecSi Sector Command Sequence"](#)

on page 22). Table 7, on page 18 shows the layout for the SecSi Sector.

Table 7. SecSi Sector Addresses

Description	Address Range	
	Word Mode (x16)	Byte Mode (x8)
16-byte random ESN	00–07h	000–00Fh
User-defined code or factory erased (all 1s)	08–7Fh	010–0FFh

The device continues to read from the SecSi Sector until the system issues the Exit SecSi Sector command sequence, or until power is removed from the device. On power-up, or following a hardware reset, the device reverts to sending commands to the boot sectors.

Hardware Data Protection

The command sequence requirement of unlock cycles for programming or erasing provides data protection against inadvertent writes (refer to [Table 12, on page 26](#) for command definitions). In addition, the following hardware data protection measures prevent accidental erasure or programming, which might otherwise be caused by spurious system level signals during V_{CC} power-up and power-down transitions, or from system noise.

Low V_{CC} Write Inhibit

When V_{CC} is less than V_{LKO} , the device does not accept any write cycles. This protects data during V_{CC} power-up and power-down. The command register and all internal program/erase circuits are disabled, and the device resets. Subsequent writes are ignored until V_{CC} is greater than V_{LKO} . The system must provide the proper signals to the control pins to prevent unintentional writes when V_{CC} is greater than V_{LKO} .

Write Pulse "Glitch" Protection

Noise pulses of less than 5 ns (typical) on OE#, CE# or WE# do not initiate a write cycle.

Logical Inhibit

Write cycles are inhibited by holding any one of OE# = V_{IL} , CE# = V_{IH} or WE# = V_{IH} . To initiate a write cycle, CE# and WE# must be a logical zero while OE# is a logical one.

Power-Up Write Inhibit

If WE# = CE# = V_{IL} and OE# = V_{IH} during power up, the device does not accept commands on the rising edge of WE#. The internal state machine is automatically reset to reading array data on power-up.

COMMON FLASH MEMORY INTERFACE (CFI)

The Common Flash Interface (CFI) specification outlines device and host system software interrogation handshake, which allows specific vendor-specified software algorithms to be used for entire families of devices. Software support can then be device-independent, JEDEC ID-independent, and forward- and backward-compatible for the specified flash device families. Flash vendors can standardize their existing interfaces for long-term compatibility.

This device enters the CFI Query mode when the system writes the CFI Query command, 98h, to address 55h in word mode (or address AAh in byte mode), any time the device is ready to read array data. The system can read CFI information at the addresses

given in [Table 8, on page 19](#) to [Table 11, on page 21](#). To terminate reading CFI data, the system must write the reset command.

The system can also write the CFI query command when the device is in the autoselect mode. The device enters the CFI query mode, and the system can read CFI data at the addresses given in [Table 8, on page 19](#) to [Table 11, on page 21](#). The system must write the reset command to return the device to the autoselect mode.

For further information, please refer to the CFI Specification and CFI Publication 100, available via the World Wide Web at <http://www.amd.com/products/nvd/overview/cfi.html>. Alternatively, contact an AMD representative for copies of these documents.

Table 8. CFI Query Identification String

Addresses (Word Mode)	Addresses (Byte Mode)	Data	Description
10h 11h 12h	20h 22h 24h	0051h 0052h 0059h	Query Unique ASCII string "QRY"
13h 14h	26h 28h	0002h 0000h	Primary OEM Command Set
15h 16h	2Ah 2Ch	0040h 0000h	Address for Primary Extended Table
17h 18h	2Eh 30h	0000h 0000h	Alternate OEM Command Set (00h = none exists)
19h 1Ah	32h 34h	0000h 0000h	Address for Alternate OEM Extended Table (00h = none exists)

Table 9. System Interface String

Addresses (Word Mode)	Addresses (Byte Mode)	Data	Description
1Bh	36h	0018h	V _{CC} Min. (write/erase) D7–D4: volt, D3–D0: 100 millivolt
1Ch	38h	0022h	V _{CC} Max. (write/erase) D7–D4: volt, D3–D0: 100 millivolt
1Dh	3Ah	0000h	V _{PP} Min. voltage (00h = no V _{PP} pin present)
1Eh	3Ch	0000h	V _{PP} Max. voltage (00h = no V _{PP} pin present)
1Fh	3Eh	0004h	Typical timeout per single byte/word write 2 ^N μs
20h	40h	0000h	Typical timeout for Min. size buffer write 2 ^N μs (00h = not supported)
21h	42h	000Ah	Typical timeout per individual block erase 2 ^N ms
22h	44h	0000h	Typical timeout for full chip erase 2 ^N ms (00h = not supported)
23h	46h	0005h	Max. timeout for byte/word write 2 ^N times typical
24h	48h	0000h	Max. timeout for buffer write 2 ^N times typical
25h	4Ah	0004h	Max. timeout per individual block erase 2 ^N times typical
26h	4Ch	0000h	Max. timeout for full chip erase 2 ^N times typical (00h = not supported)

Table 10. Device Geometry Definition

Addresses (Word Mode)	Addresses (Byte Mode)	Data	Description
27h	4Eh	0015h	Device Size = 2 ^N byte
28h 29h	50h 52h	0002h 0000h	Flash Device Interface description (refer to CFI publication 100)
2Ah 2Bh	54h 56h	0000h 0000h	Max. number of bytes in multi-byte write = 2 ^N (00h = not supported)
2Ch	58h	0002h	Number of Erase Block Regions within device
2Dh 2Eh 2Fh 30h	5Ah 5Ch 5Eh 60h	0007h 0000h 0020h 0000h	Erase Block Region 1 Information (refer to the CFI specification or CFI publication 100)
31h 32h 33h 34h	62h 64h 66h 68h	001Eh 0000h 0000h 0001h	Erase Block Region 2 Information
35h 36h 37h 38h	6Ah 6Ch 6Eh 70h	0000h 0000h 0000h 0000h	Erase Block Region 3 Information
39h 3Ah 3Bh 3Ch	72h 74h 76h 78h	0000h 0000h 0000h 0000h	Erase Block Region 4 Information

Table 11. Primary Vendor-Specific Extended Query

Addresses (Word Mode)	Addresses (Byte Mode)	Data	Description
40h 41h 42h	80h 82h 84h	0050h 0052h 0049h	Query-unique ASCII string "PRI"
43h	86h	0031h	Major version number, ASCII
44h	88h	0030h	Minor version number, ASCII
45h	8Ah	0000h	Address Sensitive Unlock 0 = Required, 1 = Not Required
46h	8Ch	0002h	Erase Suspend 0 = Not Supported, 1 = To Read Only, 2 = To Read & Write
47h	8Eh	0001h	Sector Protect 0 = Not Supported, X = Number of sectors in per group
48h	90h	0001h	Sector Temporary Unprotect 00 = Not Supported, 01 = Supported
49h	92h	0004h	Sector Protect/Unprotect scheme 01 = 29F040 mode, 02 = 29F016 mode, 03 = 29F400 mode, 04 = 29LV800A mode
4Ah	94h	0000h	Simultaneous Operation 00 = Not Supported, 01 = Supported
4Bh	96h	0000h	Burst Mode Type 00 = Not Supported, 01 = Supported
4Ch	98h	0000h	Page Mode Type 00 = Not Supported, 01 = 4 Word Page, 02 = 8 Word Page

COMMAND DEFINITIONS

Writing specific address and data commands or sequences into the command register initiates device operations. [Table 12, on page 26](#) defines the valid register command sequences. Writing **incorrect address and data values** or writing them in the **improper sequence** resets the device to reading array data.

All addresses are latched on the falling edge of WE# or CE#, whichever happens later. All data is latched on the rising edge of WE# or CE#, whichever happens first. Refer to the appropriate timing diagrams in ["AC Characteristics" on page 35](#).

Reading Array Data

The device is automatically set to reading array data after device power-up. No commands are required to retrieve data. The device is also ready to read array data after completing an Embedded Program or Embedded Erase algorithm.

After the device accepts an Erase Suspend command, the device enters the Erase Suspend mode. The system can read array data using the standard read timings, except that if it reads at an address within erase-suspended sectors, the device outputs status data. After completing a programming operation in the

Erase Suspend mode, the system may once again read array data with the same exception. See ["Erase Suspend/Erase Resume Commands" on page 24](#) for more information on this mode.

The system *must* issue the reset command to re-enable the device for reading array data if DQ5 goes high, or while in the autoselect mode. See ["Reset Command"](#), next.

See also ["Requirements for Reading Array Data" on page 9](#) for more information. The table provides the read parameters, and [Figure 13, on page 35](#) shows the timing diagram.

Reset Command

Writing the reset command to the device resets the device to reading array data. Address bits are don't care for this command.

The reset command may be written between the sequence cycles in an erase command sequence before erasing begins. This resets the device to reading array data. Once erasure begins, however, the device ignores reset commands until the operation is complete.

The reset command may be written between the sequence cycles in a program command sequence

before programming begins. This resets the device to reading array data (also applies to programming in Erase Suspend mode). Once programming begins, however, the device ignores reset commands until the operation is complete.

The reset command may be written between the sequence cycles in an autoselect command sequence. Once in the autoselect mode, the reset command *must* be written to return to reading array data (also applies to autoselect during Erase Suspend).

If DQ5 goes high during a program or erase operation, writing the reset command returns the device to reading array data (also applies during Erase Suspend).

See “AC Characteristics” on page 35 for parameters, and to Figure 14, on page 36 for the timing diagram.

Autoselect Command Sequence

The autoselect command sequence allows the host system to access the manufacturer and device codes, and determine whether or not a sector is protected. Table 12, on page 26 shows the address and data requirements. This method is an alternative to that shown in Table 4, on page 14, which is intended for PROM programmers and requires V_{ID} on address bit A9.

The autoselect command sequence is initiated by writing two unlock cycles, followed by the autoselect command. The device then enters the autoselect mode, and the system may read at any address any number of times, without initiating another command sequence. A read cycle at address XX00h retrieves the manufacturer code. A read cycle at address 01h in word mode (or 02h in byte mode) returns the device code. A read cycle containing a sector address (SA) and the address 02h in word mode (or 04h in byte mode) returns 01h if that sector is protected, or 00h if it is unprotected. Refer to Table 2, on page 12 and Table 3, on page 13 for valid sector addresses.

The system must write the reset command to exit the autoselect mode and return to reading array data.

Enter SecSi Sector/Exit SecSi Sector Command Sequence

The SecSi Sector region provides a secured data area containing a random, sixteen-byte electronic serial number (ESN). The system can access the SecSi Sector region by issuing the three-cycle Enter SecSi Sector command sequence. The device continues to access the SecSi Sector region until the system issues the four-cycle Exit SecSi command sequence. The Exit SecSi command sequence returns the device to normal operation. Table 12, on page 26 shows the address and data requirements for both command sequences. See also “Secured Silicon (SecSi) Sector

Flash Memory Region” on page 18 for further information.

Word/Byte Program Command Sequence

The system may program the device by word or byte, depending on the state of the BYTE# pin. Programming is a four-bus-cycle operation. The program command sequence is initiated by writing two unlock write cycles, followed by the program set-up command. The program address and data are written next, which in turn initiate the Embedded Program algorithm. The system is *not* required to provide further controls or timings. The device automatically generates the program pulses and verifies the programmed cell margin. Table 12, on page 26 shows the address and data requirements for the byte program command sequence.

When the Embedded Program algorithm is complete, the device then returns to reading array data and addresses are no longer latched. The system can determine the status of the program operation by using DQ7, DQ6, or RY/BY#. See “Write Operation Status” on page 27 for information on these status bits.

Any commands written to the device during the Embedded Program Algorithm are ignored. Note that a **hardware reset** immediately terminates the programming operation. The Byte Program command sequence should be reinitiated once the device resets to reading array data, to ensure data integrity.

Programming is allowed in any sequence and across sector boundaries. **A bit cannot be programmed from a “0” back to a “1”**. Attempting to do so may halt the operation and set DQ5 to “1”, or cause the Data# Polling algorithm to indicate the operation was successful. However, a succeeding read shows that the data is still “0”. Only erase operations can convert a “0” to a “1”.

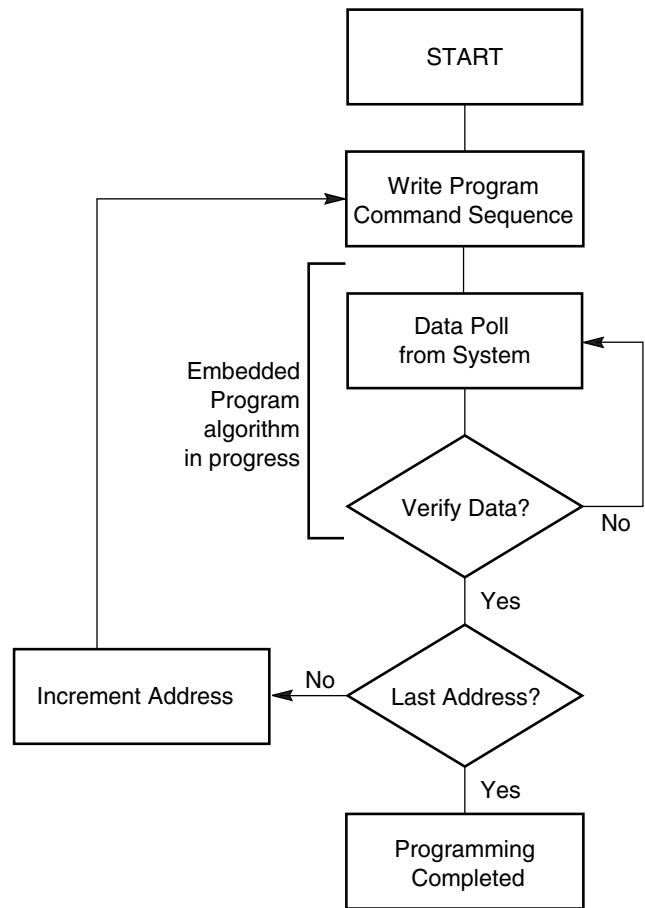
Unlock Bypass Command Sequence

The unlock bypass feature allows the system to program bytes or words to the device faster than using the standard program command sequence. The unlock bypass command sequence is initiated by first writing two unlock cycles. This is followed by a third write cycle containing the unlock bypass command, 20h. The device then enters the unlock bypass mode. A two-cycle unlock bypass program command sequence is all that is required to program in this mode. The first cycle in this sequence contains the unlock bypass program command, A0h; the second cycle contains the program address and data. Additional data is programmed in the same manner. This mode dispenses with the initial two unlock cycles required in the standard program command sequence, resulting in faster total programming time. Table 12, on page 26 shows the requirements for the command sequence.

During the unlock bypass mode, only the Unlock Bypass Program and Unlock Bypass Reset commands are valid. To exit the unlock bypass mode, the system must issue the two-cycle unlock bypass reset command sequence. The first cycle must contain the data 90h; the second cycle the data 00h. Addresses are don't cares. The device then returns to reading array data.

The device offers accelerated program operations through the WP#/ACC pin. This function is intended only to speed in-system programming of the device during system production. When the system asserts V_{HH} on the WP#/ACC pin, the device automatically enters the Unlock Bypass mode. The system may then write the two-cycle Unlock Bypass program command sequence. The device uses the higher voltage on the WP#/ACC pin to accelerate the operation. Note that the WP#/ACC pin must not be at V_{HH} for any operation other than accelerated programming, or device damage may result. In addition, the WP#/ACC pin must not be left floating or unconnected; inconsistent behavior of the device may result.

Figure 3 illustrates the algorithm for the program operation. See “Erase/Program Operations” on page 38 for parameters, and Figure 17, on page 39 for timing diagrams.



Note: See Table 12, on page 26 for program command sequence.

Figure 3. Program Operation

Chip Erase Command Sequence

Chip erase is a six bus cycle operation. The chip erase command sequence is initiated by writing two unlock cycles, followed by a set-up command. Two additional unlock write cycles are then followed by the chip erase command, which in turn invokes the Embedded Erase algorithm. The device does *not* require the system to preprogram prior to erase. The Embedded Erase algorithm automatically preprograms and verifies the entire memory for an all zero data pattern prior to electrical erase. The system is not required to provide any controls or timings during these operations. [Table 12, on page 26](#) shows the address and data requirements for the chip erase command sequence.

Any commands written to the chip during the Embedded Erase algorithm are ignored. Note that a **hardware reset** during the chip erase operation immediately terminates the operation. The Chip Erase command sequence should be reinitiated once the device returns to reading array data, to ensure data integrity.

The system can determine the status of the erase operation by using DQ7, DQ6, DQ2, or RY/BY#. See [“Write Operation Status” on page 27](#) for information on these status bits. When the Embedded Erase algorithm is complete, the device returns to reading array data and addresses are no longer latched.

[Figure 4, on page 25](#) illustrates the algorithm for the erase operation. See [“Erase/Program Operations” on page 38](#) for parameters, and [Figure 18, on page 40](#) for timing diagrams.

Sector Erase Command Sequence

Sector erase is a six bus cycle operation. The sector erase command sequence is initiated by writing two unlock cycles, followed by a set-up command. Two additional unlock write cycles are then followed by the address of the sector to be erased, and the sector erase command. [Table 12, on page 26](#) shows the address and data requirements for the sector erase command sequence.

The device does *not* require the system to preprogram the memory prior to erase. The Embedded Erase algorithm automatically programs and verifies the sector for an all zero data pattern prior to electrical erase. The system is not required to provide any controls or timings during these operations.

After the command sequence is written, a sector erase time-out of 50 μ s begins. During the time-out period, additional sector addresses and sector erase commands may be written. Loading the sector erase buffer may be done in any sequence, and the number of sectors may be from one sector to all sectors. The time between these additional cycles must be less than 50 μ s, otherwise the last address and command might not

be accepted, and erasure may begin. It is recommended that processor interrupts be disabled during this time to ensure all commands are accepted. The interrupts are re-enabled after the last Sector Erase command is written. If the time between additional sector erase commands can be assumed to be less than 50 μ s, the system need not monitor DQ3. **Any command other than Sector Erase or Erase Suspend during the time-out period resets the device to reading array data.** The system must rewrite the command sequence and any additional sector addresses and commands.

The system can monitor DQ3 to determine if the sector erase timer has timed out. (See [“DQ3: Sector Erase Timer” on page 29](#).) The time-out begins from the rising edge of the final WE# pulse in the command sequence.

Once the sector erase operation begins, only the Erase Suspend command is valid. All other commands are ignored. Note that a **hardware reset** during the sector erase operation immediately terminates the operation. The Sector Erase command sequence should be reinitiated once the device returns to reading array data, to ensure data integrity.

When the Embedded Erase algorithm is complete, the device returns to reading array data and addresses are no longer latched. The system can determine the status of the erase operation by using DQ7, DQ6, DQ2, or RY/BY#. (Refer to [“Write Operation Status” on page 27](#) for information on these status bits.)

[Figure 4, on page 25](#) illustrates the algorithm for the erase operation. Refer to the [“Erase/Program Operations” on page 38](#) for parameters, and to [Figure 18, on page 40](#) for timing diagrams.

Erase Suspend/Erase Resume Commands

The Erase Suspend command allows the system to interrupt a sector erase operation and then read data from, or program data to, any sector not selected for erasure. This command is valid only during the sector erase operation, including the 50 μ s time-out period during the sector erase command sequence. The Erase Suspend command is ignored if written during the chip erase operation or Embedded Program algorithm. Writing the Erase Suspend command during the Sector Erase time-out immediately terminates the time-out period and suspends the erase operation. Addresses are “don’t-cares” when writing the Erase Suspend command.

When the Erase Suspend command is written during a sector erase operation, the device requires a maximum of 20 μ s to suspend the erase operation. However, when the Erase Suspend command is written during the sector erase time-out, the device immediately terminates the time-out period and suspends the erase operation.

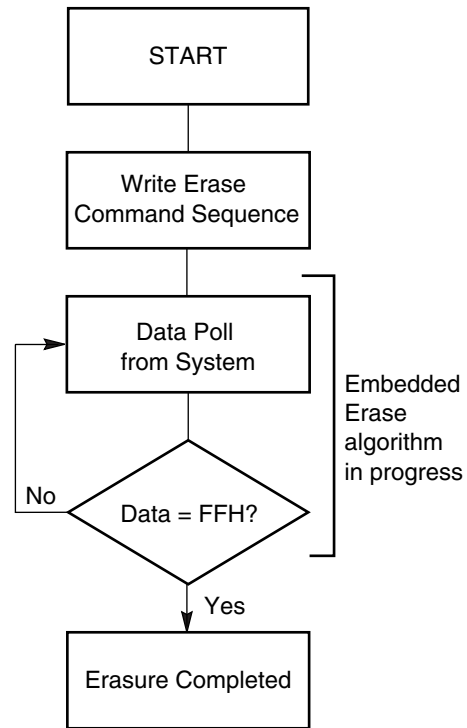
After the erase operation is suspended, the system can read array data from or program data to any sector not selected for erasure. (The device “erase suspends” all sectors selected for erasure.) Normal read and write timings and command definitions apply. Reading at any address within erase-suspended sectors produces status data on DQ7–DQ0. The system can use DQ7, or DQ6 and DQ2 together, to determine if a sector is actively erasing or is erase-suspended. See “[Write Operation Status](#)” on page 27 for information on these status bits.

After an erase-suspended program operation is complete, the system can once again read array data within non-suspended sectors. The system can determine the status of the program operation using the DQ7 or DQ6 status bits, just as in the standard program operation. See “[Write Operation Status](#)” on page 27 for more information.

The system may also write the autoselect command sequence when the device is in the Erase Suspend mode. The device allows reading autoselect codes even at addresses within erasing sectors, since the codes are not stored in the memory array. When the device exits the autoselect mode, the device reverts to the Erase Suspend mode, and is ready for another valid operation. See “[Autoselect Command Sequence](#)” on page 22 for more information.

The system must write the Erase Resume command (address bits are “don’t care”) to exit the erase suspend mode and continue the sector erase operation. Further writes of the Resume command are ignored. Another

Erase Suspend command can be written after the device resumes erasing.



Notes:

1. See [Table 12, on page 26](#) for erase command sequence.
2. See “[DQ3: Sector Erase Timer](#)” on page 29 for more information.

Figure 4. Erase Operation

Command Definitions

Table 12. Am29SL160C Command Definitions

Command Sequence (Note 1)		Cycles	Bus Cycles (Notes 2–5)													
			First		Second		Third		Fourth		Fifth		Sixth			
			Addr	Data	Addr	Data	Addr	Data	Addr	Data	Addr	Data	Addr	Data		
Read (Note 6)		1	RA	RD												
Reset (Note 7)		1	XXX	F0												
Autoselect (Note 8)	Manufacturer ID	Word	555	AA	2AA	55	555	90	X00	01						
		Byte	AAA		555		AAA									
	Device ID (Top Boot/Bottom Boot)	Word	555	AA	2AA	55	555	90	X01	22E4/ 22E7						
		Byte	AAA		555		AAA		X02	E4/E7						
	SecSi Sector Factory Protect	Word	555	AA	2AA	55	555	90	X03							
		Byte	AAA		555		AAA		X06							
	Sector Protect Verify (Note 9)	Word	555	AA	2AA	55	555	90	(SA)X02							
		Byte	AAA		555		AAA		(SA)X04							
Enter SecSi Sector Region	Word	555	AA	2AA	55	555	88									
	Byte	AAA		555		AAA										
Exit SecSi Sector Region	Word	555	AA	2AA	55	555	90	XXX	00							
	Byte	AAA		555		AAA										
Program	Word	555	AA	2AA	55	555	A0	PA	PD							
	Byte	AAA		555		AAA										
Unlock Bypass	Word	555	AA	2AA	55	555	20									
	Byte	AAA		555		AAA										
Unlock Bypass Program (Note 10)		2	XXX	A0	PA	PD										
Unlock Bypass Reset (Note 11)		2	BA	90	XXX	00										
Chip Erase	Word	555	AA	2AA	55	555	80	555	AA	2AA	55	555	10			
	Byte	AAA		555		AAA		AAA		555		AAA				
Sector Erase	Word	555	AA	2AA	55	555	80	555	AA	2AA	55	SA	30			
	Byte	AAA		555		AAA		AAA		555						
Erase Suspend (Note 12)		1	BA	B0												
Erase Resume (Note 13)		1	BA	30												
CFI Query (Note 14)	Word	55	98													
	Byte	AA														

Legend:

X = Don't care
 RA = Address of the memory location to be read.
 RD = Data read from location RA during read operation.
 PA = Address of the memory location to be programmed. Addresses latch on the falling edge of the WE# or CE# pulse, whichever happens later.

PD = Data to be programmed at location PA. Data latches on the rising edge of WE# or CE# pulse, whichever happens first.
 SA = Address of the sector to be verified (in autoselect mode) or erased. Address bits A19–A12 uniquely select any sector.

Notes:

- See Table 1, on page 9 for description of bus operations.
- All values are in hexadecimal.
- Except for the read cycle and the fourth cycle of the autoselect command sequence, all bus cycles are write cycles.
- Data bits DQ15–DQ8 are don't cares in byte mode.
- Unless otherwise noted, address bits A19–A11 are don't cares.
- No unlock or command cycles required when in read mode.
- The Reset command is required to return to the read mode (or to the erase-suspend-read mode if previously in Erase Suspend) when in the autoselect mode, or if DQ5 goes high (while providing status information).
- The fourth cycle of the autoselect command sequence is a read cycle.
- The data is 00h for an unprotected sector and 01h for a protected sector. Data bits DQ15–DQ8 are don't care. See the Autoselect Command Sequence section for more information.
- The Unlock Bypass command is required prior to the Unlock Bypass Program command.
- The Unlock Bypass Reset command is required to return to the read mode when in the unlock bypass mode.
- The system may read and program in non-erasing sectors, or enter the autoselect mode, when in the Erase Suspend mode. The Erase Suspend command is valid only during a sector erase operation.
- The Erase Resume command is valid only during the Erase Suspend mode.
- Command is valid when device is ready to read array data or when device is in autoselect mode.

WRITE OPERATION STATUS

The device provides several bits to determine the status of a program or erase operation: DQ2, DQ3, DQ5, DQ6, DQ7, and RY/BY#. Table 13, on page 30 and the following subsections describe the functions of these bits. DQ7 and DQ6 each offer a method for determining whether a program or erase operation is complete or in progress. The device also provides a hardware-based output signal, RY/BY#, to determine whether an embedded program or erase operation is in progress or is completed.

DQ7: Data# Polling

The Data# Polling bit, DQ7, indicates to the host system whether an Embedded Algorithm is in progress or completed, or whether the device is in Erase Suspend. Data# Polling is valid after the rising edge of the final WE# pulse in the program or erase command sequence.

During the Embedded Program algorithm, the device outputs on DQ7 the complement of the datum programmed to DQ7. This DQ7 status also applies to programming during Erase Suspend. When the Embedded Program algorithm is complete, the device outputs the datum programmed to DQ7. The system must provide the program address to read valid status information on DQ7. If a program address falls within a protected sector, Data# Polling on DQ7 is active for approximately 1 μ s, then the device returns to reading array data.

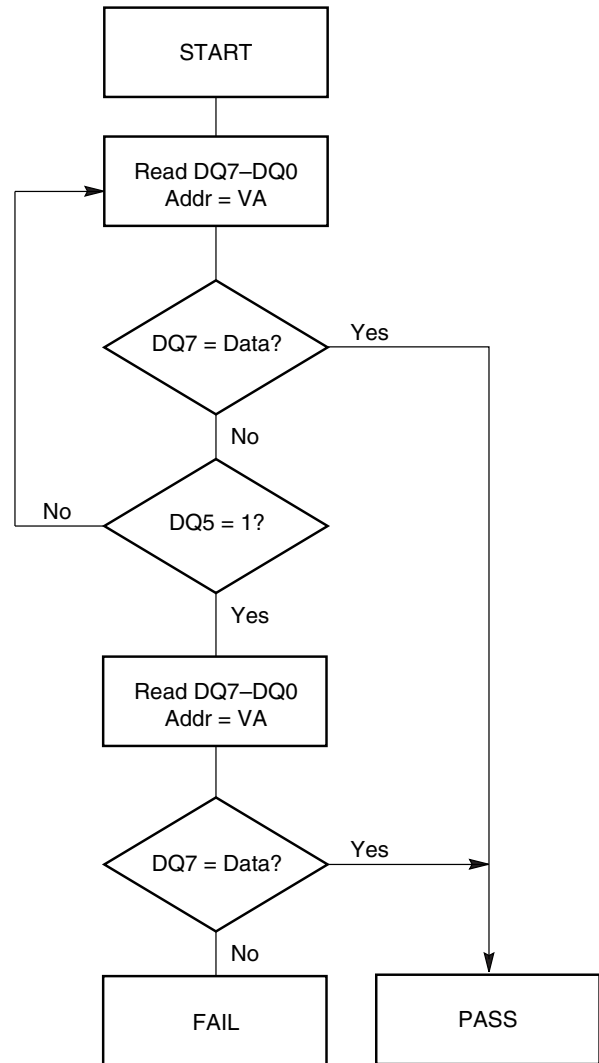
During the Embedded Erase algorithm, Data# Polling produces a “0” on DQ7. When the Embedded Erase algorithm is complete, or if the device enters the Erase Suspend mode, Data# Polling produces a “1” on DQ7. This is analogous to the complement/true datum output described for the Embedded Program algorithm: the erase function changes all the bits in a sector to “1”; prior to this, the device outputs the “complement,” or “0.” The system must provide an address within any of the sectors selected for erasure to read valid status information on DQ7.

After an erase command sequence is written, if all sectors selected for erasing are protected, Data# Polling on DQ7 is active for approximately 100 μ s, then the device returns to reading array data. If not all selected sectors are protected, the Embedded Erase algorithm erases the unprotected sectors, and ignores the selected sectors that are protected.

When the system detects DQ7 changes from the complement to true data, it can read valid data at DQ7–DQ0 on the following read cycles. This is because DQ7 may change asynchronously with DQ0–DQ6 while Output Enable (OE#) is asserted low. Figure 19, on

page 41, Data# Polling Timings (During Embedded Algorithms), in the “AC Characteristics” section illustrates this.

Table 13, on page 30 shows the outputs for Data# Polling on DQ7. Figure 5, on page 27 shows the Data# Polling algorithm.



Notes:

1. VA = Valid address for programming. During a sector erase operation, a valid address is an address within any sector selected for erasure. During chip erase, a valid address is any non-protected sector address.
2. DQ7 should be rechecked even if DQ5 = “1” because DQ7 may change simultaneously with DQ5.

Figure 5. Data# Polling Algorithm

R_Y/B_Y#: Ready/Busy#

R_Y/B_Y# is a dedicated, open-drain output pin that indicates whether an Embedded Algorithm is in progress or complete. The R_Y/B_Y# status is valid after the rising edge of the final WE# pulse in the command sequence. Since R_Y/B_Y# is an open-drain output, several R_Y/B_Y# pins can be tied together in parallel with a pull-up resistor to V_{CC}.

If the output is low (Busy), the device is actively erasing or programming. (This includes programming in the Erase Suspend mode.) If the output is high (Ready), the device is ready to read array data (including during the Erase Suspend mode), or is in the standby mode.

Table 13, on page 30 shows the outputs for R_Y/B_Y#. Figure 14, on page 36, Figure 17, on page 39 and Figure 18, on page 40 shows R_Y/B_Y# for reset, program, and erase operations, respectively.

DQ6: Toggle Bit I

Toggle Bit I on DQ6 indicates whether an Embedded Program or Erase algorithm is in progress or complete, or whether the device entered the Erase Suspend mode. Toggle Bit I may be read at any address, and is valid after the rising edge of the final WE# pulse in the command sequence (prior to the program or erase operation), and during the sector erase time-out.

During an Embedded Program or Erase algorithm operation, successive read cycles to any address cause DQ6 to toggle (The system may use either OE# or CE# to control the read cycles). When the operation is complete, DQ6 stops toggling.

After an erase command sequence is written, if all sectors selected for erasing are protected, DQ6 toggles for approximately 100 μ s, then returns to reading array data. If not all selected sectors are protected, the Embedded Erase algorithm erases the unprotected sectors, and ignores the selected sectors that are protected.

The system can use DQ6 and DQ2 together to determine whether a sector is actively erasing or is erase-suspended. When the device is actively erasing (that is, the Embedded Erase algorithm is in progress), DQ6 toggles. When the device enters the Erase Suspend mode, DQ6 stops toggling. However, the system must also use DQ2 to determine which sectors are erasing or erase-suspended. Alternatively, the system can use DQ7 (see the subsection on “DQ7: Data# Polling” on page 27).

If a program address falls within a protected sector, DQ6 toggles for approximately 1 μ s after the program command sequence is written, then returns to reading array data.

DQ6 also toggles during the erase-suspend-program mode, and stops toggling once the Embedded Program algorithm is complete.

Table 13, on page 30 shows the outputs for Toggle Bit I on DQ6. Figure 6, on page 29 shows the toggle bit algorithm. Figure 20, on page 41 shows the toggle bit timing diagrams. Figure 21, on page 42 shows the differences between DQ2 and DQ6 in graphical form. See also the subsection on “DQ2: Toggle Bit II”.

DQ2: Toggle Bit II

The “Toggle Bit II” on DQ2, when used with DQ6, indicates whether a particular sector is actively erasing (that is, the Embedded Erase algorithm is in progress), or whether that sector is erase-suspended. Toggle Bit II is valid after the rising edge of the final WE# pulse in the command sequence. The device toggles DQ2 with each OE# or CE# read cycle.

DQ2 toggles when the system reads at addresses within those sectors that were selected for erasure. But DQ2 cannot distinguish whether the sector is actively erasing or is erase-suspended. DQ6, by comparison, indicates whether the device is actively erasing, or is in Erase Suspend, but cannot distinguish which sectors are selected for erasure. Thus, both status bits are required for sector and mode information. Refer to Table 13, on page 30 to compare outputs for DQ2 and DQ6.

Figure 6, on page 29 shows the toggle bit algorithm in flowchart form, and the section “DQ2: Toggle Bit II” explains the algorithm. See also the “DQ6: Toggle Bit I” subsection. Figure 20, on page 41 shows the toggle bit timing diagram. Figure 21, on page 42 shows the differences between DQ2 and DQ6 in graphical form.

Reading Toggle Bits DQ6/DQ2

Refer to Figure 6, on page 29 for the following discussion. Whenever the system initially begins reading toggle bit status, it must read DQ7–DQ0 at least twice in a row to determine whether a toggle bit is toggling. Typically, the system would note and store the value of the toggle bit after the first read. After the second read, the system would compare the new value of the toggle bit with the first. If the toggle bit is not toggling, the device completed the program or erase operation. The system can read array data on DQ7–DQ0 on the following read cycle.

However, if after the initial two read cycles, the system determines that the toggle bit is still toggling, the system also should note whether the value of DQ5 is high (see the section on DQ5). If it is, the system should then determine again whether the toggle bit is toggling, since the toggle bit may have stopped toggling just as DQ5 went high. If the toggle bit is no longer toggling, the device successfully completed the program or erase operation. If it is still toggling, the

device did not completed the operation successfully, and the system must write the reset command to return to reading array data.

The remaining scenario is that the system initially determines that the toggle bit is toggling and DQ5 is not high. The system may continue to monitor the toggle bit and DQ5 through successive read cycles, determining the status as described in the previous paragraph. Alternatively, it may choose to perform other system tasks. In this case, the system must start at the beginning of the algorithm when it returns to determine the status of the operation (top of Figure 6).

DQ5: Exceeded Timing Limits

DQ5 indicates whether the program or erase time exceeded a specified internal pulse count limit. Under these conditions DQ5 produces a “1.” This is a failure condition that indicates the program or erase cycle was not successfully completed.

The DQ5 failure condition may appear if the system tries to program a “1” to a location that is previously programmed to “0.” **Only an erase operation can change a “0” back to a “1.”** Under this condition, the device halts the operation, and when the operation exceeds the timing limits, DQ5 produces a “1.”

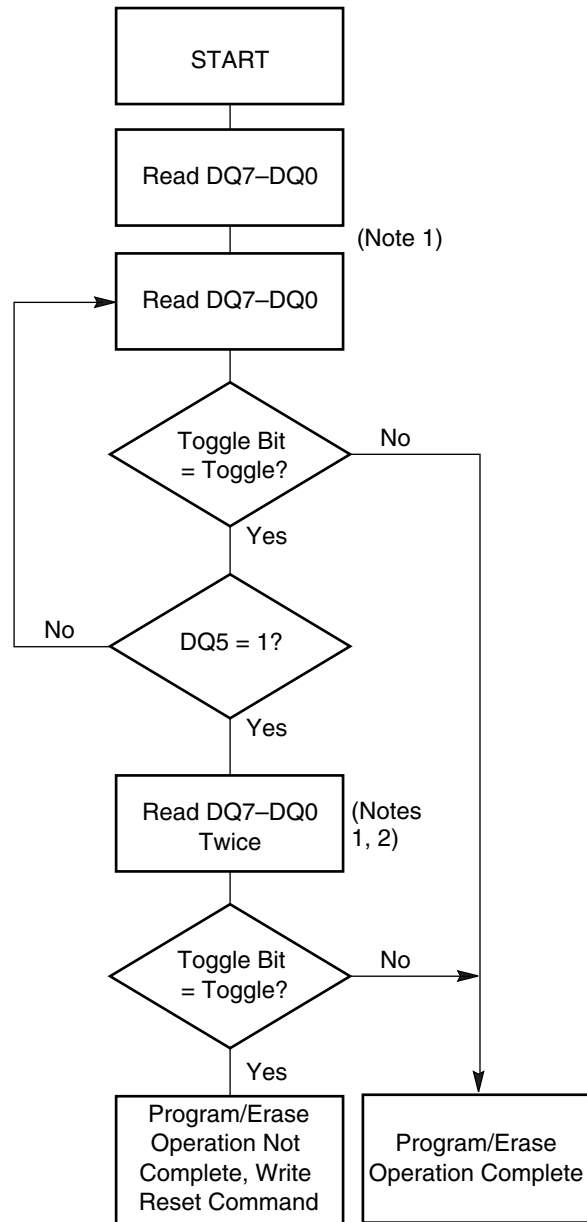
Under both these conditions, the system must issue the reset command to return the device to reading array data.

DQ3: Sector Erase Timer

After writing a sector erase command sequence, the system may read DQ3 to determine whether or not an erase operation began. (The sector erase timer does not apply to the chip erase command.) If additional sectors are selected for erasure, the entire time-out also applies after each additional sector erase command. When the time-out is complete, DQ3 switches from “0” to “1.” If the time between additional sector erase commands from the system are assumed to be less than 50 μs, the system need not monitor DQ3. See also the “Sector Erase Command Sequence” on page 24.

After the sector erase command sequence is written, the system should read the status on DQ7 (Data# Polling) or DQ6 (Toggle Bit I) to ensure the device accepted the command sequence, and then read DQ3. If DQ3 is “1”, the internally controlled erase cycle started; all further commands (other than Erase Suspend) are ignored until the erase operation is complete. If DQ3 is “0”, the device accepts additional sector erase commands. To ensure the command is accepted, the system software should check the status of DQ3 prior

to and following each subsequent sector erase command. If DQ3 is high on the second status check, the last command might not have been accepted. Table 13, on page 30 shows the outputs for DQ3.



Notes:

1. Read toggle bit twice to determine whether or not it is toggling. See text.
2. Recheck toggle bit because it may stop toggling as DQ5 changes to “1”. See text.

Figure 6. Toggle Bit Algorithm

Table 13. Write Operation Status

Operation		DQ7 (Note 2)	DQ6	DQ5 (Note 1)	DQ3	DQ2 (Note 2)	RY/BY#
Standard Mode	Embedded Program Algorithm	DQ7#	Toggle	0	N/A	No toggle	0
	Embedded Erase Algorithm	0	Toggle	0	1	Toggle	0
Erase Suspend Mode	Reading within Erase Suspended Sector	1	No toggle	0	N/A	Toggle	1
	Reading within Non-Erase Suspended Sector	Data	Data	Data	Data	Data	1
	Erase-Suspend-Program	DQ7#	Toggle	0	N/A	N/A	0

Notes:

1. DQ5 switches to '1' when an Embedded Program or Embedded Erase operation exceeds the maximum timing limits. See ["DQ5: Exceeded Timing Limits" on page 29](#) for more information.
2. DQ7 and DQ2 require a valid address when reading status information. Refer to the appropriate subsection for further details.

ABSOLUTE MAXIMUM RATINGS

Storage Temperature
 Plastic Packages -65°C to $+150^{\circ}\text{C}$
 Ambient Temperature
 with Power Applied. -65°C to $+125^{\circ}\text{C}$
 Voltage with Respect to Ground
 V_{CC} (Note 1). -0.5 V to $+2.5\text{ V}$
 A9, OE#,
 and RESET# (Note 2) -0.5 V to $+11.0\text{ V}$
 All other pins (Note 1) -0.5 V to $V_{CC} + 0.5\text{ V}$
 Output Short Circuit Current (Note 3) 100 mA

Notes:

1. Minimum DC voltage on input or I/O pins is -0.5 V . During voltage transitions, input or I/O pins may overshoot V_{SS} to -2.0 V for periods of up to 20 ns. See Figure 7. Maximum DC voltage on input or I/O pins is $V_{CC} + 0.5\text{ V}$. During voltage transitions, input or I/O pins may overshoot to $V_{CC} + 2.0\text{ V}$ for periods up to 20 ns. See Figure 8.
2. Minimum DC input voltage on pins A9, OE#, RESET#, and WP#/ACC is -0.5 V . During voltage transitions, A9, OE#, WP#/ACC, and RESET# may overshoot V_{SS} to -2.0 V for periods of up to 20 ns. See Figure 7. Maximum DC input voltage on pin A9 is $+11.0\text{ V}$ which may overshoot to $+12.5\text{ V}$ for periods up to 20 ns. Maximum DC input voltage on pin WP#/ACC is $+10.0\text{ V}$ which may overshoot to $+11.5\text{ V}$ for periods up to 20 ns.
3. No more than one output may be shorted to ground at a time. Duration of the short circuit should not be greater than one second.

Stresses above those listed under "Absolute Maximum Ratings" may cause permanent damage to the device. This is a stress rating only; functional operation of the device at these or any other conditions above those indicated in the operational sections of this data sheet is not implied. Exposure of the device to absolute maximum rating conditions for extended periods may affect device reliability.

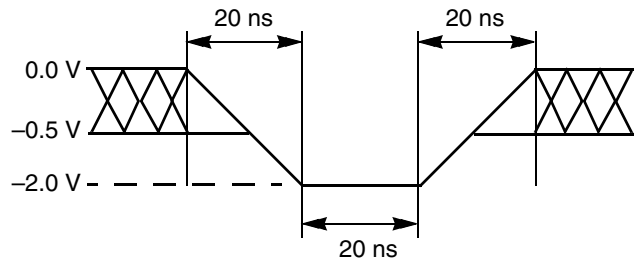


Figure 7. Maximum Negative Overshoot Waveform

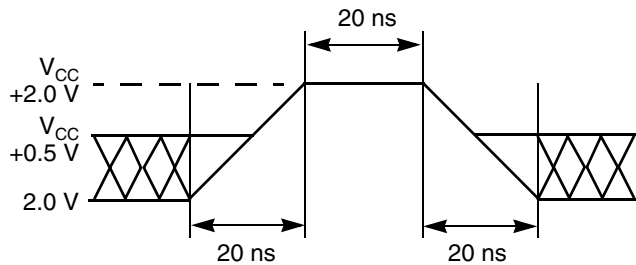


Figure 8. Maximum Positive Overshoot Waveform

OPERATING RANGES

Commercial (C) Devices

Ambient Temperature (T_A) 0°C to $+70^{\circ}\text{C}$

Industrial (I) Devices

Ambient Temperature (T_A) -40°C to $+85^{\circ}\text{C}$

V_{CC} Supply Voltages

V_{CC} , all speed options $+1.8\text{ V}$ to $+2.2\text{ V}$

Operating ranges define those limits between which the functionality of the device is guaranteed.

DC CHARACTERISTICS

CMOS Compatible

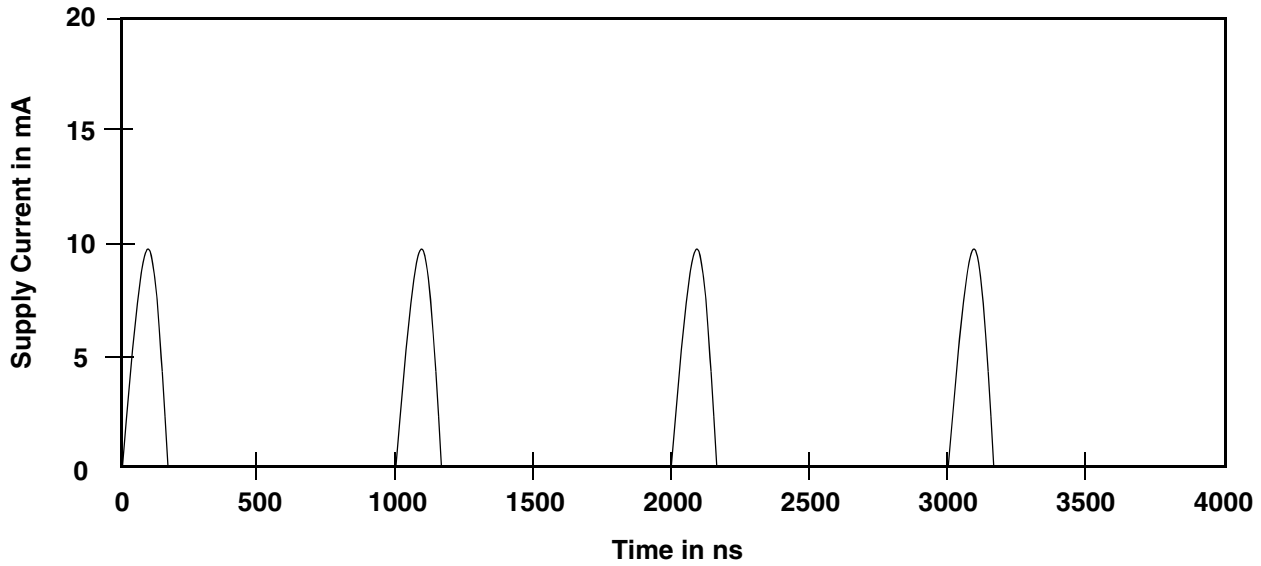
Parameter	Description	Test Conditions	Min	Typ	Max	Unit
I_{LI}	Input Load Current	$V_{IN} = V_{SS}$ to V_{CC} , $V_{CC} = V_{CC\ max}$			± 1.0	μA
I_{LIT}	A9 Input Load Current	$V_{CC} = V_{CC\ max}$; A9 = 11.0 V			35	μA
I_{LO}	Output Leakage Current	$V_{OUT} = V_{SS}$ to V_{CC} , $V_{CC} = V_{CC\ max}$			± 1.0	μA
I_{CC1}	V_{CC} Active Read Current (Notes 1, 2)	CE# = V_{IL} , OE# = V_{IH} , Byte Mode	5 MHz	5	10	mA
			1 MHz	1	3	
		CE# = V_{IL} , OE# = V_{IH} , Word Mode	5 MHz	5	10	
			1 MHz	1	3	
I_{CC2}	V_{CC} Active Write Current (Notes 2, 3, 5)	CE# = V_{IL} , OE# = V_{IH}		20	30	mA
I_{CC3}	V_{CC} Standby Current (Note 2)	CE#, RESET# = $V_{CC} \pm 0.2$ V		1	5	μA
I_{CC4}	V_{CC} Reset Current (Note 2)	RESET# = $V_{SS} \pm 0.2$ V		1	5	μA
I_{CC5}	Automatic Sleep Mode (Notes 2, 3)	$V_{IH} = V_{CC} \pm 0.2$ V; $V_{IL} = V_{SS} \pm 0.2$ V		1	5	μA
V_{IL}	Input Low Voltage		-0.5		$0.2 \times V_{CC}$	V
V_{IH}	Input High Voltage		$0.8 \times V_{CC}$		$V_{CC} + 0.3$	V
V_{HH}	Voltage for WP#/ACC Sector Protect/Unprotect and Program Acceleration		8.5		9.5	V
V_{ID}	Voltage for Autoselect and Temporary Sector Unprotect	$V_{CC} = 2.0$ V	9.0		11.0	V
V_{OL}	Output Low Voltage	$I_{OL} = 100 \mu A$, $V_{CC} = V_{CC\ min}$			0.1	
V_{OH}	Output High Voltage	$I_{OH} = -100 \mu A$, $V_{CC} = V_{CC\ min}$	$V_{CC} - 0.1$			
V_{LKO}	Low V_{CC} Lock-Out Voltage (Note 4)		1.2		1.5	V

Notes:

1. The I_{CC} current listed is typically less than 1 mA/MHz, with OE# at V_{IL} . Typical V_{CC} is 2.0 V.
2. The maximum I_{CC} specifications are tested with $V_{CC} = V_{CC\ max}$.
3. I_{CC} active while Embedded Erase or Embedded Program is in progress.
4. Automatic sleep mode enables the low power mode when addresses remain stable for $t_{ACC} + 50$ ns.
5. Not 100% tested.

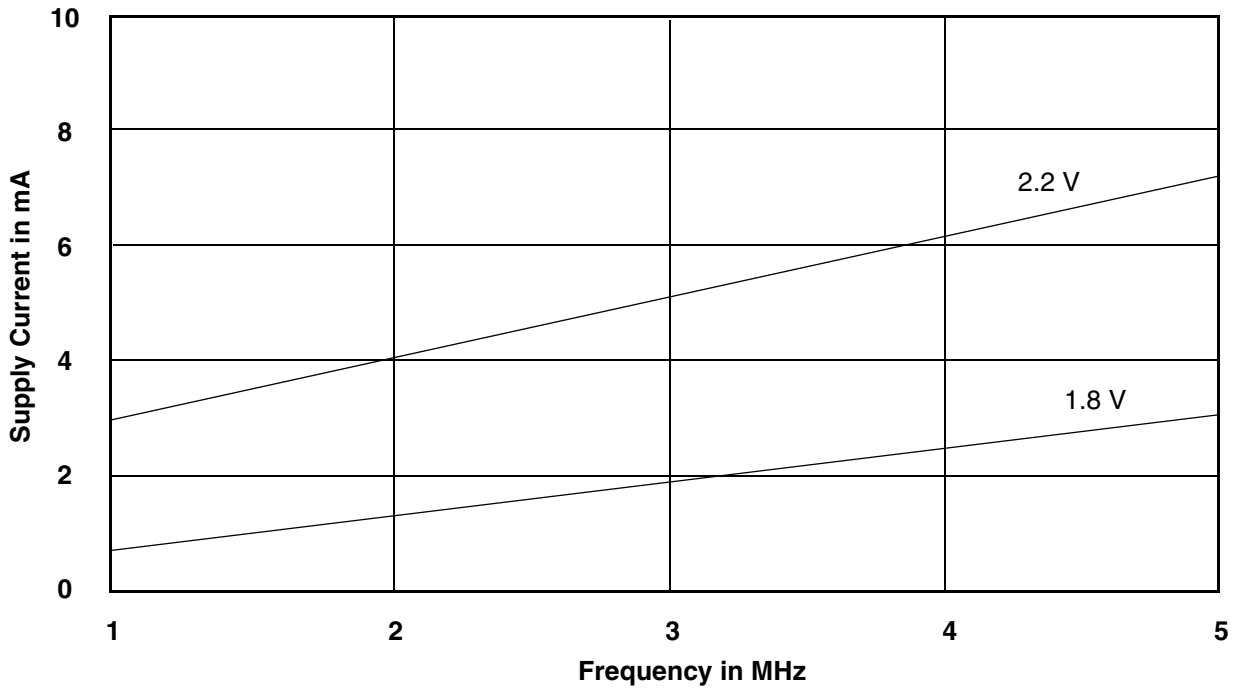
DC CHARACTERISTICS (Continued)

Zero Power Flash



Note: Addresses are switching at 1 MHz

Figure 9. I_{CC1} Current vs. Time (Showing Active and Automatic Sleep Currents)



Note: $T = 25^{\circ}C$

Figure 10. Typical I_{CC1} vs. Frequency

TEST CONDITIONS

Table 14. Test Specifications

Test Condition	-100	-120, -150	Unit
Output Load	1 TTL gate		
Output Load Capacitance, C_L (including jig capacitance)	30	100	pF
Input Rise and Fall Times	5		ns
Input Pulse Levels	0.0–2.0		V
Input timing measurement reference levels	1.0		V
Output timing measurement reference levels	1.0		V

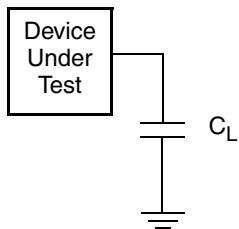


Figure 11. Test Setup

Key To Switching Waveforms

WAVEFORM	INPUTS	OUTPUTS
	Steady	
	Changing from H to L	
	Changing from L to H	
	Don't Care, Any Change Permitted	Changing, State Unknown
	Does Not Apply	Center Line is High Impedance State (High Z)

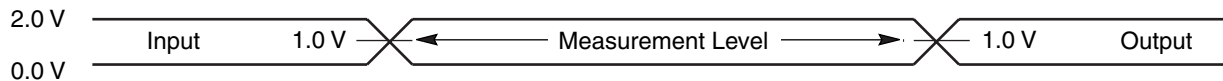


Figure 12. Input Waveforms and Measurement Levels

AC CHARACTERISTICS

Read Operations

Parameter		Description	Test Setup	Speed Option			Unit	
JEDEC	Std			-100	-120	-150		
t_{AVAV}	t_{RC}	Read Cycle Time (Note 1)	Min	100	120	150	ns	
t_{AVQV}	t_{ACC}	Address to Output Delay	CE# = V_{IL} OE# = V_{IL}	Max	100	120	150	ns
t_{ELQV}	t_{CE}	Chip Enable to Output Delay	OE# = V_{IL}	Max	100	120	150	ns
t_{GLQV}	t_{OE}	Output Enable to Output Delay		Max	35	50	65	ns
t_{EHQZ}	t_{DF}	Chip Enable to Output High Z (Note 1)		Max	16		ns	
t_{GHQZ}	t_{DF}	Output Enable to Output High Z (Note 1)		Max	16		ns	
	t_{OEh}	Output Enable Hold Time (Note 1)	Read	Min	0		ns	
		Toggle and Data# Polling		Min	30		ns	
t_{AXQX}	t_{OH}	Output Hold Time From Addresses, CE# or OE#, Whichever Occurs First (Note 1)		Min	0		ns	

Notes:

1. Not 100% tested.
2. See [Figure 11, on page 34](#) and [Table 14, on page 34](#) for test specifications.

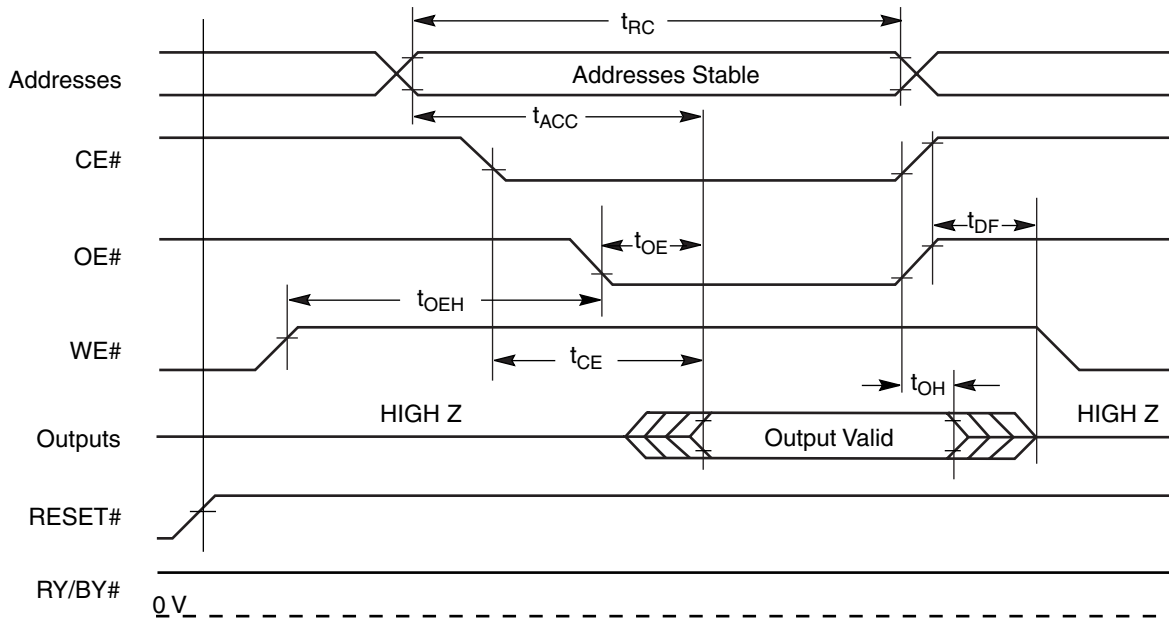


Figure 13. Read Operations Timings

AC CHARACTERISTICS
Hardware Reset (RESET#)

Parameter		Description	Test Setup		All Speed Options	Unit
JEDEC	Std					
	t_{READY}	RESET# Pin Low (During Embedded Algorithms) to Read or Write (see Note)		Max	20	μs
	t_{READY}	RESET# Pin Low (NOT During Embedded Algorithms) to Read or Write (see Note)		Max	500	ns
	t_{RP}	RESET# Pulse Width		Min	500	ns
	t_{RH}	RESET# High Time Before Read (see Note)		Min	200	ns
	t_{RB}	RY/BY# Recovery Time		Min	0	ns

Note: Not 100% tested.

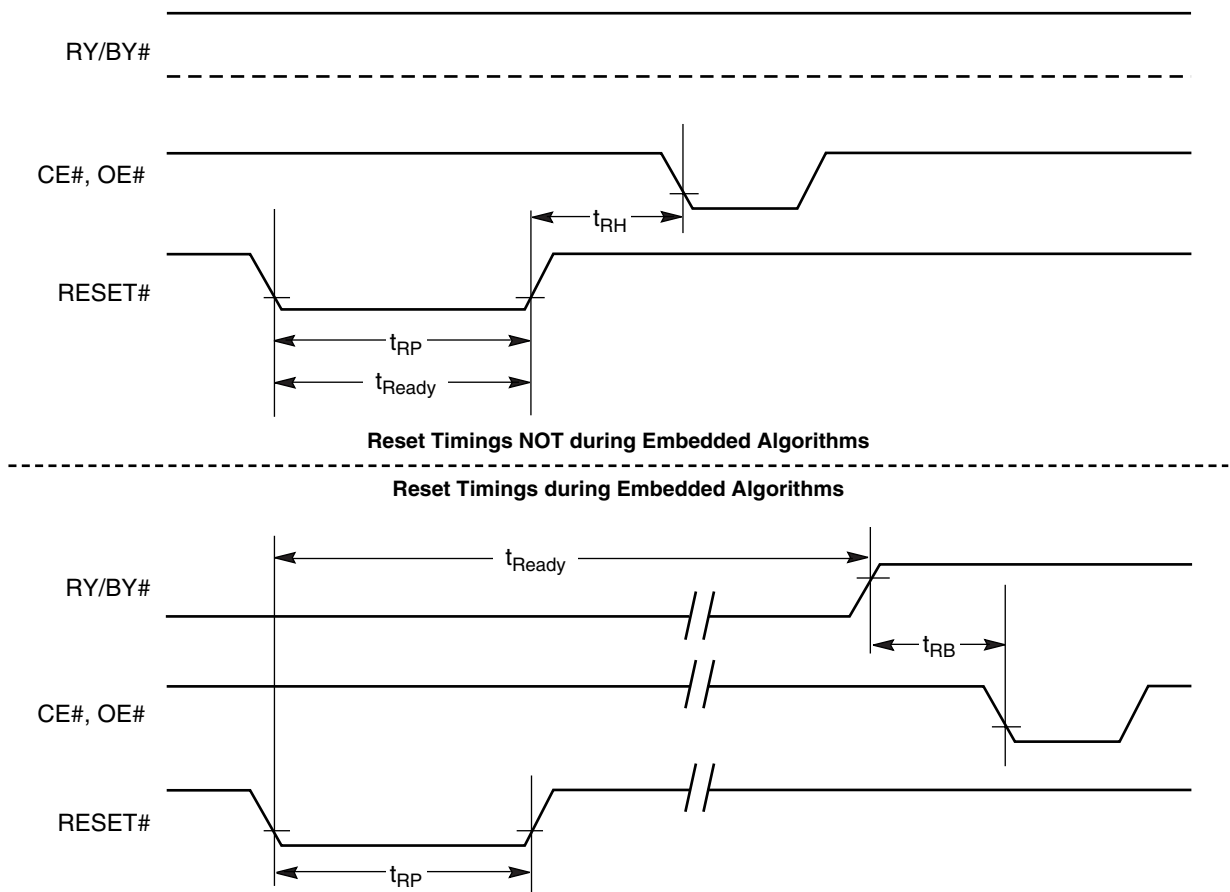


Figure 14. RESET# Timings

AC CHARACTERISTICS

Word/Byte Configuration (BYTE#)

Parameter		Description	Max	Speed Options			Unit
JEDEC	Std			-100	-120	-150	
	t_{ELFL}/t_{ELFH}	CE# to BYTE# Switching Low or High	Max	10			ns
	t_{FLQZ}	BYTE# Switching Low to Output HIGH Z	Max	50	60	60	ns
	t_{FHQV}	BYTE# Switching High to Output Active	Min	100	120	150	ns

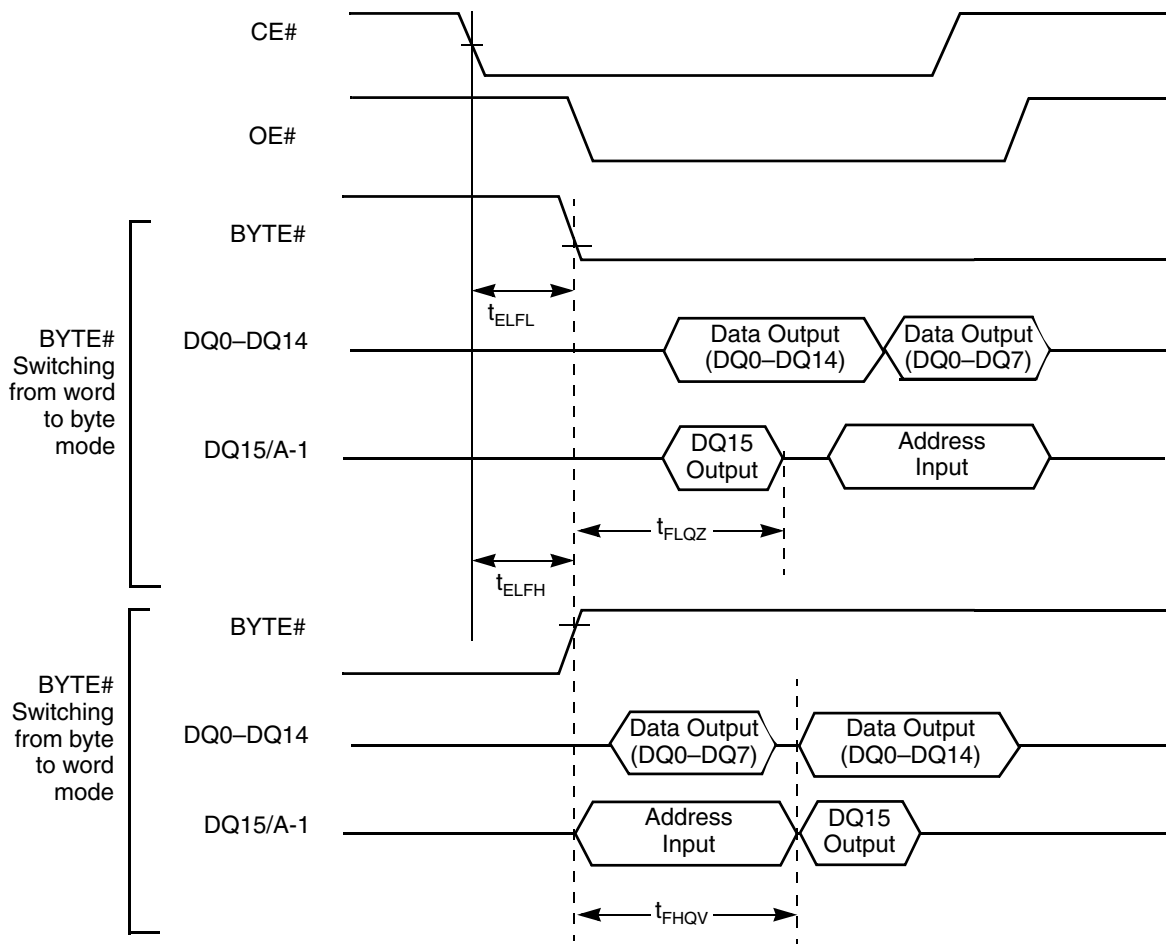
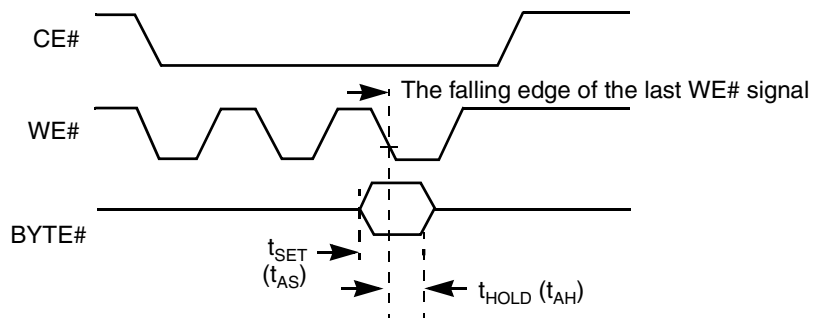


Figure 15. BYTE# Timings for Read Operations



Note: Refer to the Erase/Program Operations table for t_{AS} and t_{AH} specifications.

Figure 16. BYTE# Timings for Write Operations

AC CHARACTERISTICS

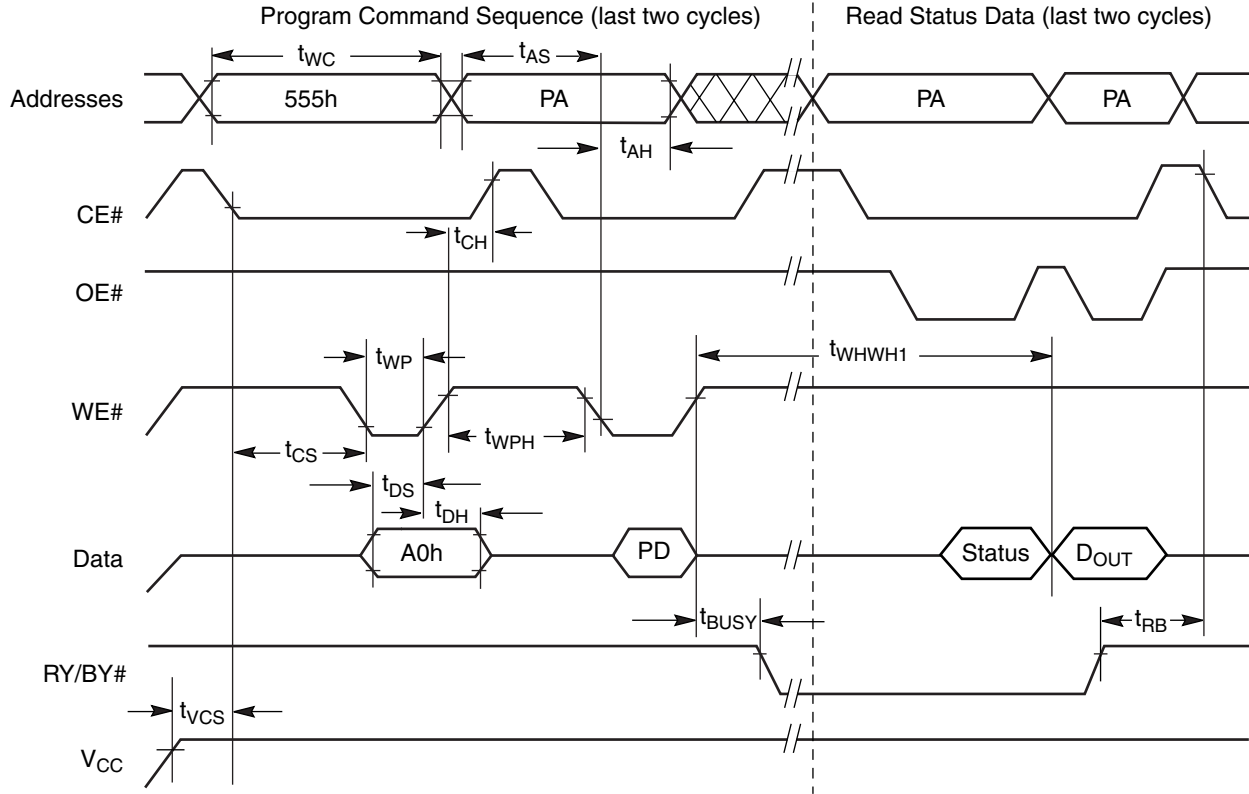
Erase/Program Operations

Parameter		Description		Speed Options			Unit
JEDEC	Std.			-100	-120	-150	
t_{AVAV}	t_{WC}	Write Cycle Time (Note 1)	Min	100	120	150	ns
t_{AVWL}	t_{AS}	Address Setup Time	Min	0			ns
t_{WLAX}	t_{AH}	Address Hold Time	Min	50	60	70	ns
t_{DVWH}	t_{DS}	Data Setup Time	Min	50	60	70	ns
t_{WHDX}	t_{DH}	Data Hold Time	Min	0			ns
t_{GHWL}	t_{GHWL}	Read Recovery Time Before Write (OE# High to WE# Low)	Min	0			ns
t_{ELWL}	t_{CS}	CE# Setup Time	Min	0			ns
t_{WHEH}	t_{CH}	CE# Hold Time	Min	0			ns
t_{WLWH}	t_{WP}	Write Pulse Width	Min	50	60	70	ns
t_{WHWL}	t_{WPH}	Write Pulse Width High	Min	30			ns
t_{WHWH1}	t_{WHWH1}	Programming Operation (Notes 1, 2)	Byte	Typ			μ s
			Word	Typ			
		Accelerated Program Operation, Byte or Word (Note 2)		Typ	8		
t_{WHWH2}	t_{WHWH2}	Sector Erase Operation (Notes 1, 2)	Typ	2			sec
	t_{VCS}	V_{CC} Setup Time	Min	50			μ s
	t_{RB}	Recovery Time from RY/BY#	Min	0			ns
	t_{BUSY}	Program/Erase Valid to RY/BY# Delay	Max	200			ns

Notes:

1. Not 100% tested.
2. See ["Erase And Programming Performance"](#) on page 46 for more information.

AC CHARACTERISTICS

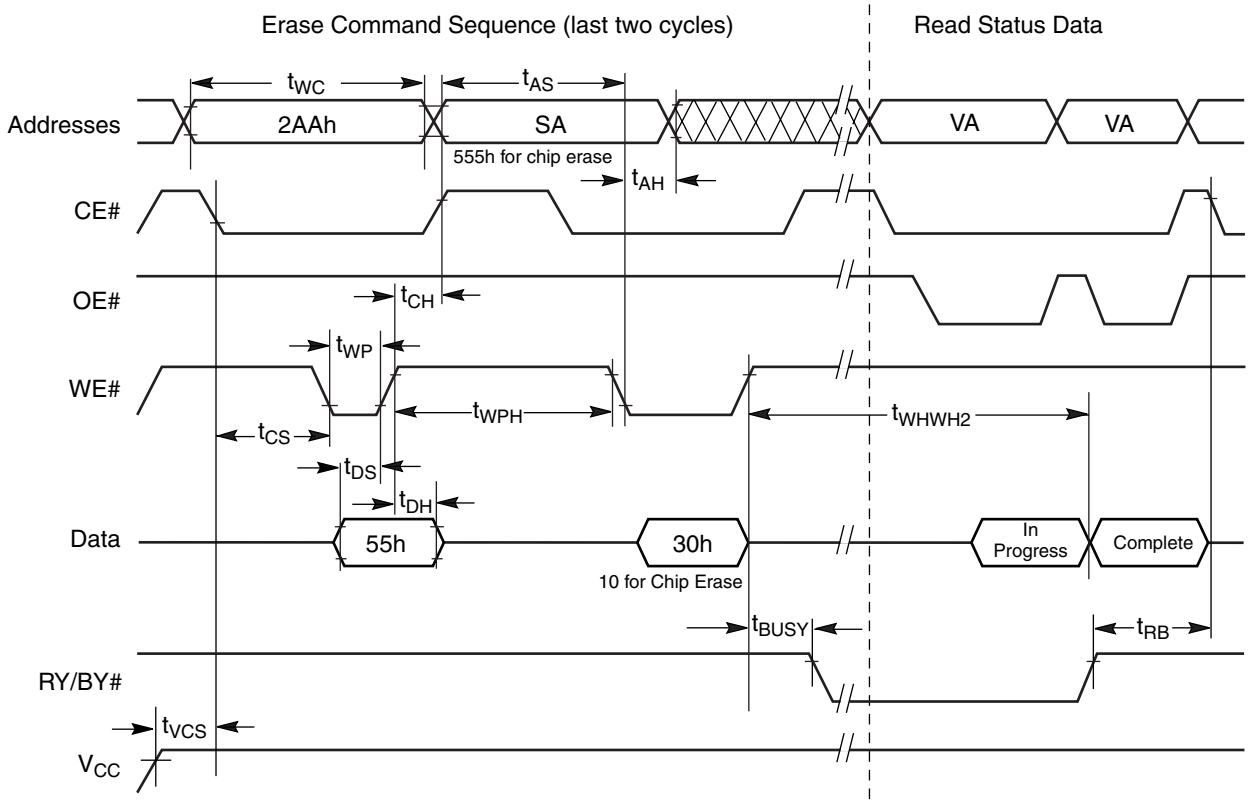


Notes:

1. PA = program address, PD = program data, D_{OUT} is the true data at the program address.
2. Illustration shows device in word mode.

Figure 17. Program Operation Timings

AC CHARACTERISTICS

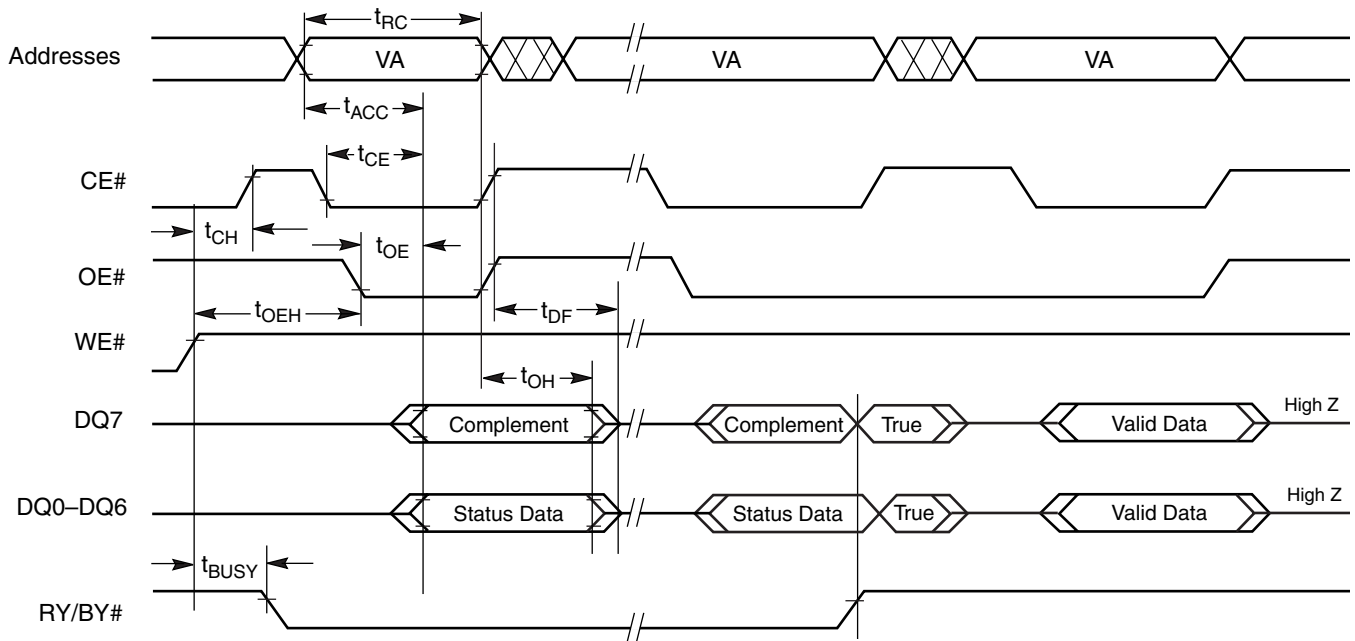


Notes:

1. SA = sector address (for Sector Erase), VA = Valid Address for reading status data (see "Write Operation Status").
2. Illustration shows device in word mode.

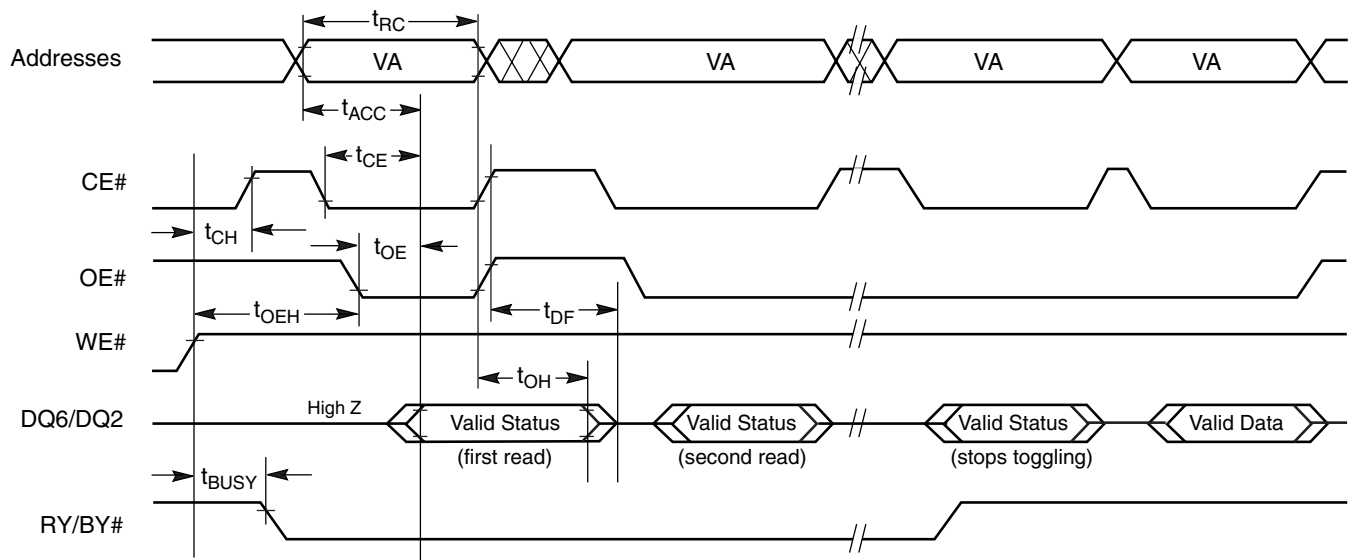
Figure 18. Chip/Sector Erase Operation Timings

AC CHARACTERISTICS



Note: VA = Valid address. Illustration shows first status cycle after command sequence, last status read cycle, and array data read cycle.

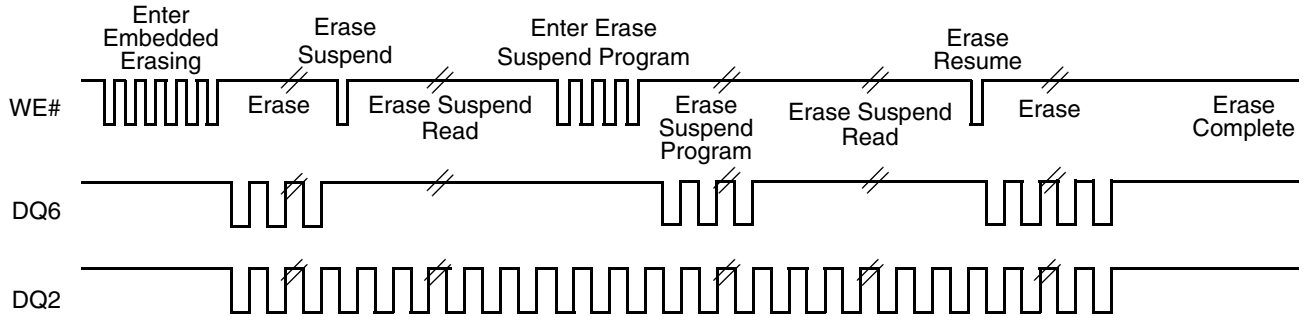
Figure 19. Data# Polling Timings (During Embedded Algorithms)



Note: VA = Valid address; not required for DQ6. Illustration shows first two status cycle after command sequence, last status read cycle, and array data read cycle.

Figure 20. Toggle Bit Timings (During Embedded Algorithms)

AC CHARACTERISTICS



Note: The system may use CE# or OE# to toggle DQ2 and DQ6. DQ2 toggles only when read at an address within an erase-suspended sector.

Figure 21. DQ2 vs. DQ6

Temporary Sector Unprotect

Parameter		Description		All Speed Options	Unit
JEDEC	Std				
	t_{VIDR}	V_{ID} Rise and Fall Time	Min	500	ns
	t_{VHH}	V_{HH} Rise and Fall Time	Min	500	ns
	t_{RSP}	RESET# Setup Time for Temporary Sector Unprotect	Min	4	μ s

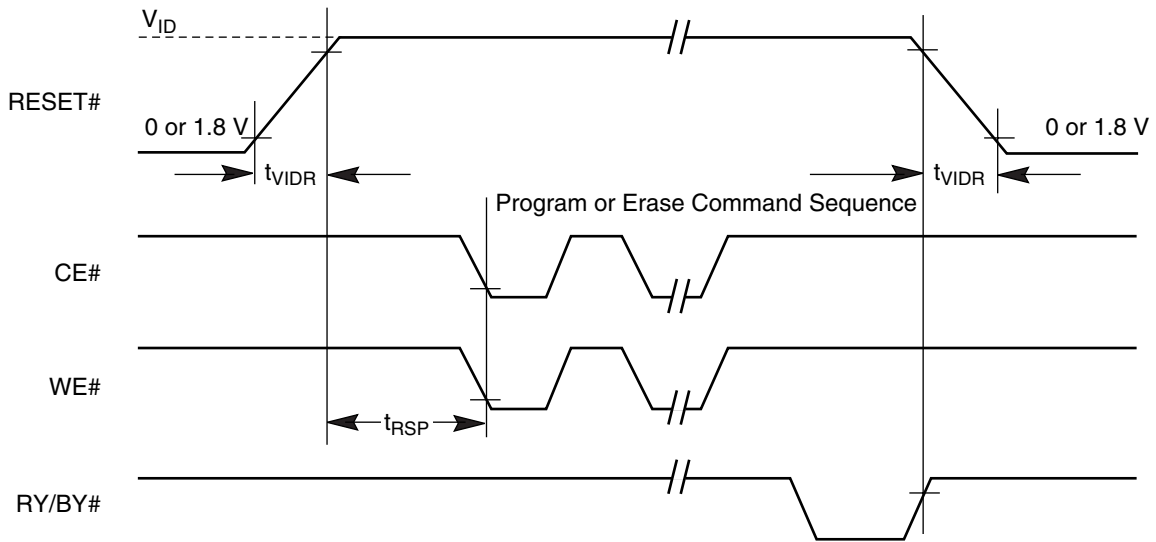


Figure 22. Temporary Sector Unprotect Timing Diagram

AC CHARACTERISTICS

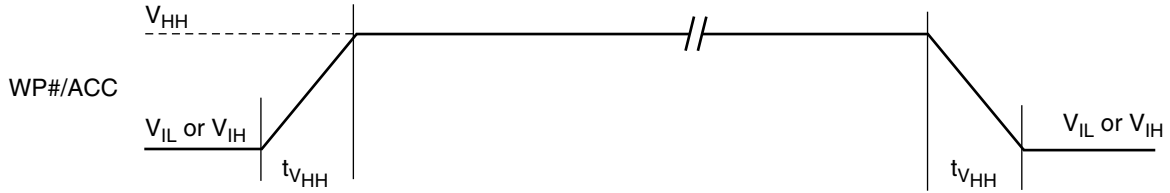
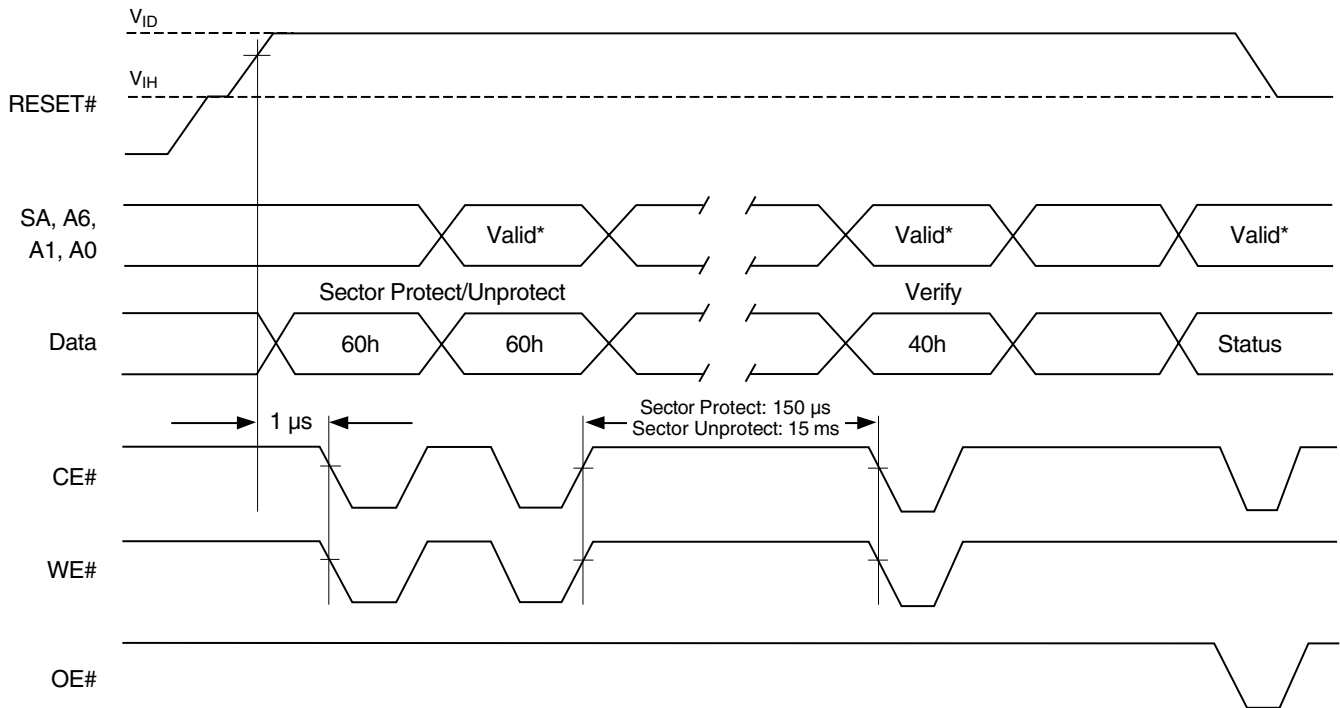


Figure 23. Accelerated Program Timing Diagram



* For sector protect, A6 = 0, A1 = 1, A0 = 0. For sector unprotect, A6 = 1, A1 = 1, A0 = 0.

Figure 24. Sector Protect/Unprotect Timing Diagram

AC CHARACTERISTICS

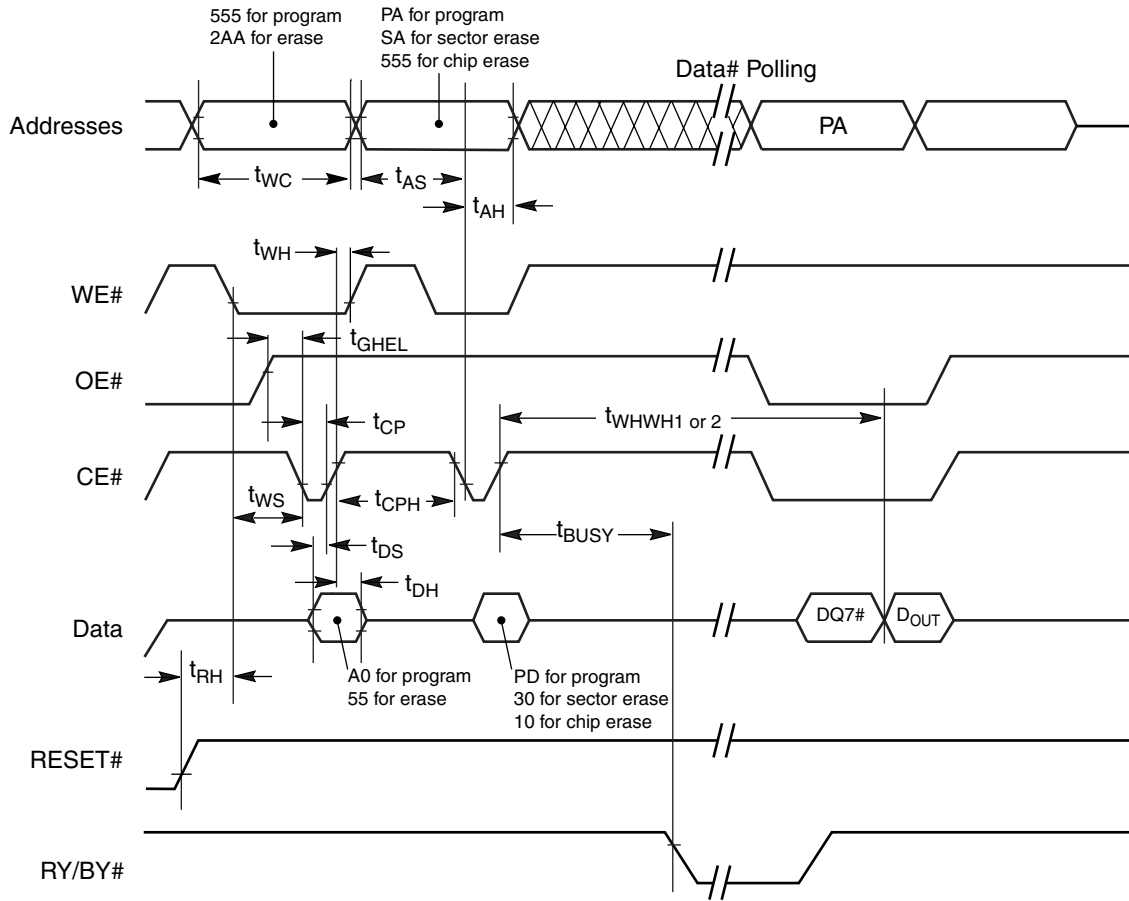
Alternate CE# Controlled Erase/Program Operations

Parameter		Description		Speed Options			Unit
JEDEC	Std.			-100	-120	-150	
t_{AVAV}	t_{WC}	Write Cycle Time (Note 1)	Min	100	120	150	ns
t_{AVEL}	t_{AS}	Address Setup Time	Min	0			ns
t_{ELAX}	t_{AH}	Address Hold Time	Min	50	60	70	ns
t_{DVEH}	t_{DS}	Data Setup Time	Min	50	60	70	ns
t_{EHDX}	t_{DH}	Data Hold Time	Min	0			ns
t_{GHEL}	t_{GHEL}	Read Recovery Time Before Write (OE# High to WE# Low)	Min	0			ns
t_{WLEL}	t_{WS}	WE# Setup Time	Min	0			ns
t_{EHWH}	t_{WH}	WE# Hold Time	Min	0			ns
t_{ELEH}	t_{CP}	CE# Pulse Width	Min	50	60	70	ns
t_{EHEL}	t_{CPH}	CE# Pulse Width High	Min	30			ns
t_{WHWH1}	t_{WHWH1}	Programming Operation (Notes 1, 2)	Byte	Typ			μ s
			Word	Typ			
		Accelerated Program Operation, Byte or Word (Note 2)		Typ			μ s
t_{WHWH2}	t_{WHWH2}	Sector Erase Operation (Notes 1, 2)	Typ	2			sec

Notes:

1. Not 100% tested.
2. See ["Erase And Programming Performance" on page 46](#) for more information.

AC CHARACTERISTICS



Notes:

1. PA = program address, PD = program data, DQ7# = complement of the data written, D_{OUT} = data written
2. Figure indicates the last two bus cycles of command sequence.
3. Word mode address used as an example.

Figure 25. Alternate CE# Controlled Write Operation Timings

ERASE AND PROGRAMMING PERFORMANCE

Parameter		Typ (Note 1)	Max (Note 2)	Unit	Comments
Sector Erase Time		2	15	s	Excludes 00h programming prior to erasure (Note 4)
Chip Erase Time		70		s	
Byte Programming Time		10	300	μs	Excludes system level overhead (Note 5)
Word Programming Time		12	360	μs	
Accelerated Program Time, Word/Byte		8	240	μs	
Chip Programming Time (Note 3)	Byte Mode	20	160	s	
	Word Mode	14	120	s	

Notes:

1. Typical program and erase times assume the following conditions: 25°C, 2.0 V V_{CC} , 1,000,000 cycles. Additionally, programming typicals assume checkerboard pattern.
2. Under worst case conditions of 90°C, $V_{CC} = 1.8$ V, 1,000,000 cycles.
3. The typical chip programming time is considerably less than the maximum chip programming time listed, since most bytes program faster than the maximum program times listed.
4. In the pre-programming step of the Embedded Erase algorithm, all bytes are programmed to 00h before erasure.
5. System-level overhead is the time required to execute the two- or four-bus-cycle sequence for the program command. See [Table 12, on page 26](#) for further information on command definitions.
6. The device has a minimum guaranteed erase and program cycle endurance of 1,000,000 cycles.

LATCHUP CHARACTERISTICS

Description	Min	Max
Input voltage with respect to V_{SS} on all pins except I/O pins (including A9, OE#, and RESET#)	-1.0 V	11.0 V
Input voltage with respect to V_{SS} on all I/O pins	-0.5 V	$V_{CC} + 0.5$ V
V_{CC} Current	-100 mA	+100 mA

Includes all pins except V_{CC} . Test conditions: $V_{CC} = 1.8$ V, one pin at a time.

TSOP PIN CAPACITANCE

Parameter Symbol	Parameter Description	Test Setup	Typ	Max	Unit
C_{IN}	Input Capacitance	$V_{IN} = 0$	6	7.5	pF
C_{OUT}	Output Capacitance	$V_{OUT} = 0$	8.5	12	pF
C_{IN2}	Control Pin Capacitance	$V_{IN} = 0$	7.5	9	pF

Notes:

1. Sampled, not 100% tested.
2. Test conditions $T_A = 25^\circ\text{C}$, $f = 1.0$ MHz.

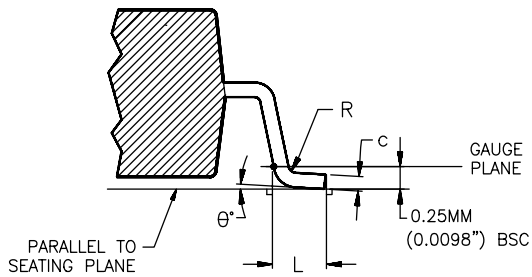
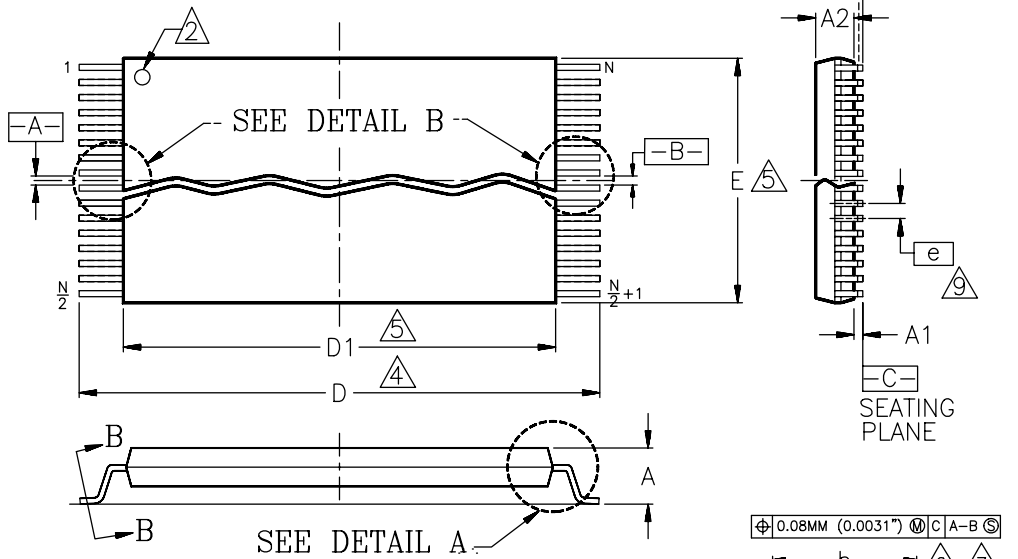
DATA RETENTION

Parameter	Test Conditions	Min	Unit
Minimum Pattern Data Retention Time	150°C	10	Years
	125°C	20	Years

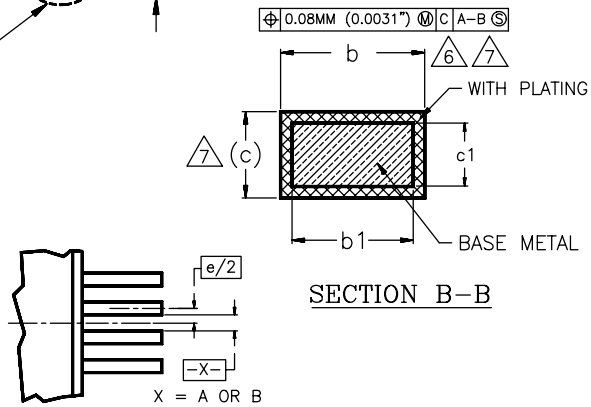
PHYSICAL DIMENSIONS*

TS 048—48-Pin Standard TSOP

STANDARD PIN OUT (TOP VIEW)



DETAIL A



DETAIL B

Dwg rev AA; 10/99

Package	TS 48		
Jedec	MO-142 (B) DD		
Symbol	MIN	NOM	MAX
A	—	—	1.20
A1	0.05	—	0.15
A2	0.95	1.00	1.05
b1	0.17	0.20	0.23
b	0.17	0.22	0.27
c1	0.10	—	0.16
c	0.10	—	0.21
D	19.80	20.00	20.20
D1	18.30	18.40	18.50
E	11.90	12.00	12.10
e	0.50 BASIC		
L	0.50	0.60	0.70
θ	0°	3°	5°
R	0.08	—	0.20
N	48		

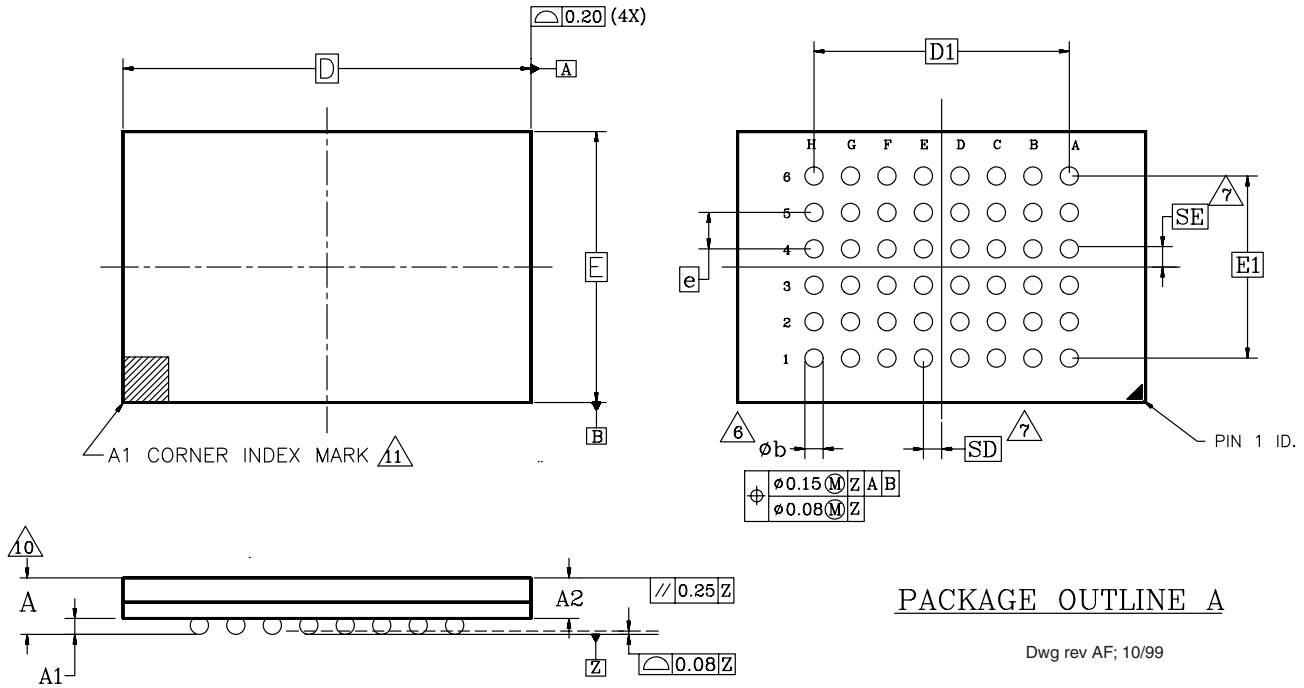
NOTES:

1. CONTROLLING DIMENSIONS ARE IN MILLIMETERS (mm). (DIMENSIONING AND TOLERANCING CONFORMS TO ANSI Y14.5M-1982)
2. PIN 1 IDENTIFIER FOR STANDARD PIN OUT (DIE UP).
3. PIN 1 IDENTIFIER FOR REVERSE PIN OUT (DIE DOWN): INK OR LASER MARK.
4. TO BE DETERMINED AT THE SEATING PLANE [-C-]. THE SEATING PLANE IS DEFINED AS THE PLANE OF CONTACT THAT IS MADE WHEN THE PACKAGE LEADS ARE ALLOWED TO REST FREELY ON A FLAT HORIZONTAL SURFACE.
5. DIMENSIONS D1 AND E DO NOT INCLUDE MOLD PROTRUSION. ALLOWABLE MOLD PROTRUSION IS 0.15mm (0.0059") PER SIDE.
6. DIMENSION b DOES NOT INCLUDE DAMBAR PROTRUSION. ALLOWABLE DAMBAR PROTRUSION SHALL BE 0.08mm (0.0031") TOTAL IN EXCESS OF b DIMENSION AT MAX. MATERIAL CONDITION. MINIMUM SPACE BETWEEN PROTRUSION AND AN ADJACENT LEAD TO BE 0.07mm (0.0028").
7. THESE DIMENSIONS APPLY TO THE FLAT SECTION OF THE LEAD BETWEEN 0.10mm (0.0039") AND 0.25mm (0.0098") FROM THE LEAD TIP.
8. LEAD COPLANARITY SHALL BE WITHIN 0.10mm (0.004") AS MEASURED FROM THE SEATING PLANE.
9. DIMENSION "e" IS MEASURED AT THE CENTERLINE OF THE LEADS.

* For reference only. BSC is an ANSI standard for Basic Space Centering.

PHYSICAL DIMENSIONS

FBC048—48-Ball Fine-Pitch Ball Grid Array (FBGA)
8 x 9 mm package



PACKAGE	FBC 048			NOTE
JEDEC	N/A			
	8.00mmx9.00mm PACKAGE			
SYMBOL	MIN	NOM	MAX	
A	-	-	1.20	OVERALL THICKNESS
A1	0.20	-	-	BALL HEIGHT
A2	0.84	-	0.94	BODY THICKNESS
D	9.00 BSC			BODY SIZE
E	8.00 BSC			BODY SIZE
D1	5.60 BSC			BALL FOOTPRINT
E1	4.00 BSC			BALL FOOTPRINT
MD	8			ROW MATRIX SIZE D DIRECTION
ME	6			ROW MATRIX SIZE E DIRECTION
N	48			TOTAL BALL COUNT
b	0.25	0.30	0.35	BALL DIAMETER
e	0.80 BSC			BALL PITCH
SD/SE	0.40 BSC			SOLDER BALL PLACEMENT

NOTES:

1. DIMENSIONING AND TOLERANCING PER ASME Y14.5M-1994.
2. ALL DIMENSIONS ARE IN MILLIMETERS.
3. BALL POSITION DESIGNATION PER JESD 95-1, SPP-010.
4. [e] REPRESENTS THE SOLDER BALL GRID PITCH.
5. SYMBOL "MD" IS THE BALL ROW MATRIX SIZE IN THE "D" DIRECTION. SYMBOL "ME" IS THE BALL COLUMN MATRIX SIZE IN THE "E" DIRECTION. N IS THE MAXIMUM NUMBER OF SOLDER BALLS FOR MATRIX SIZE MD x ME.
6. DIMENSION "b" IS MEASURED AT THE MAXIMUM BALL DIAMETER IN A PLANE PARALLEL TO DATUM Z.
7. SD AND SE ARE MEASURED WITH RESPECT TO DATUMS A AND B AND DEFINE THE POSITION OF THE CENTER SOLDER BALL IN THE OUTER ROW. WHEN THERE IS AN ODD NUMBER OF SOLDER BALLS IN THE OUTER ROW PARALLEL TO THE D OR E DIMENSION, RESPECTIVELY, SD OR SE = 0.000 WHEN THERE IS AN EVEN NUMBER OF SOLDER BALLS IN THE OUTER ROW, SD OR SE = [e/2]
8. "X" IN THE PACKAGE VARIATIONS DENOTES PART IS UNDER QUALIFICATION.
9. "+" IN THE PACKAGE DRAWING INDICATE THE THEORETICAL CENTER OF DEPOPULATED BALLS.
10. FOR PACKAGE THICKNESS A IS THE CONTROLLING DIMENSION.
11. A1 CORNER TO BE IDENTIFIED BY CHAMFER, INK MARK, METALLIZED MARKINGS INDENTION OR OTHER MEANS.

REVISION SUMMARY**Revision A (December 1998)**

Initial release.

Revision A+1 (January 1999)**Distinctive Characteristics**

WP#/ACC pin: In the third subbullet, deleted reference to increased erase performance.

Device Bus Operations

Accelerated Program and Erase Operations: Deleted all references to accelerated erase.

Sector/Sector Block Protection and Unprotection: Changed section name and text to include tables and references to sector block protection and unprotection.

AC Characteristics

Accelerated Program Timing Diagram: Deleted reference in title to accelerated erase.

Revision A+2 (March 23, 1999)**Connection Diagrams**

Corrected the TSOP pinout on pins 13 and 14.

Revision A+3 (April 12, 1999)**Global**

Modified the description of accelerated programming to emphasize that it is intended only to speed in-system programming of the device during the system production process.

Distinctive Characteristics

Secured Silicon (SecSi) Sector bullet: Added the 8-byte unique serial number to description.

Device Bus Operations table

Modified Note 3 to indicate sector protection behavior when V_{IH} is asserted on WP#/ACC. Applied Note 3 to the WP#/ACC column for write operations.

Ordering Information

Added the “N” designator to the optional processing section.

Secured Silicon (SecSi) Sector Flash Memory Region

Modified explanatory text to indicate that devices now have an 8-byte unique ESN in addition to the 16-byte random ESN. Added table for address range clarification.

Revision A+4 (May 14, 1999)**Global**

Deleted all references to the unique ESN.

Revision A+5 (July 23, 1999)**Global**

Added 90 ns speed option.

Revision A+6 (September 1, 1999)**AC Characteristics**

Hardware Reset (RESET#) table: Deleted t_{RPD} specification. *Erase/Program Operations table:* Deleted t_{OES} specification.

Revision A+7 (September 7, 1999)**Distinctive Characteristics**

Ultra low power consumption bullet: Corrected values to match those in the DC Characteristics table.

AC Characteristics

Alternate CE# Controlled Erase/Program Operations: Deleted t_{OES} specification.

Revision B (December 14, 1999)**AC Characteristics—Figure 17. Program Operations Timing and Figure 18. Chip/Sector Erase Operations**

Deleted t_{GHWL} and changed OE# waveform to start at high.

Physical Dimensions

Replaced figures with more detailed illustrations.

Revision C (February 21, 2000)

Removed “Advance Information” designation from data sheet. Data sheet parameters are now stable; only speed, package, and temperature range combinations are expected to change in future revisions.

Device Bus Operations table

Changed standby voltage specification to $V_{CC} \pm 0.2$ V.

Standby Mode

Changed standby voltage specification to $V_{CC} \pm 0.2$ V.

DC Characteristics table

Changed test conditions for I_{CC3} , I_{CC4} , I_{CC5} to $V_{CC} \pm 0.2$ V.

Revision C+1 (November 14, 2000)**Global**

Added dash to speed options and OPNs. Added table of contents.

AC Characteristics—Read Operations

Changed t_{DF} to 16 ns for all speeds.

Revision C+2 (June 11, 2002)**Secured Silicon (SecSi) Sector Flash Memory Region**

Deleted reference to A-1 not being used in addressing, and to address bits that are don't cares. In Table 7, changed lower address bit for user-defined code to 08h (word mode) and 010h (byte mode).

Revision C+3 (November 1, 2004)**Global**

Added colophon and reference links.

Ordering Information

Added temperature ranges for Pb-free Package

Valid Combinations for TSOP Packages

Added ED, and EF combinations.

Valid Combinations for FBGA Packages

Added WCD, and WCF to Order Number column, and added D, and F to Package Marking column.

Revision C4 (July 13, 2005)**Global**

Deleted 90 ns speed option.

Ordering Information

Deleted options for extended temperature range in Pb-free packages.

Revision C5 (January 23, 2007)**Erase and Program Operations table**

Changed t_{BUSY} to a maximum specification.

Colophon

The products described in this document are designed, developed and manufactured as contemplated for general use, including without limitation, ordinary industrial use, general office use, personal use, and household use, but are not designed, developed and manufactured as contemplated (1) for any use that includes fatal risks or dangers that, unless extremely high safety is secured, could have a serious effect to the public, and could lead directly to death, personal injury, severe physical damage or other loss (i.e., nuclear reaction control in nuclear facility, aircraft flight control, air traffic control, mass transport control, medical life support system, missile launch control in weapon system), or (2) for any use where chance of failure is intolerable (i.e., submersible repeater and artificial satellite). Please note that Spansion Inc. will not be liable to you and/or any third party for any claims or damages arising in connection with above-mentioned uses of the products. Any semiconductor devices have an inherent chance of failure. You must protect against injury, damage or loss from such failures by incorporating safety design measures into your facility and equipment such as redundancy, fire protection, and prevention of over-current levels and other abnormal operating conditions. If any products described in this document represent goods or technologies subject to certain restrictions on export under the Foreign Exchange and Foreign Trade Law of Japan, the US Export Administration Regulations or the applicable laws of any other country, the prior authorization by the respective government entity will be required for export of those products.

Trademarks

Copyright ©1998–2005 Advanced Micro Devices, Inc. All rights reserved. AMD, the AMD logo, and combinations thereof are registered trademarks of Advanced Micro Devices, Inc. ExpressFlash is a trademark of Advanced Micro Devices, Inc. Product names used in this publication are for identification purposes only and may be trademarks of their respective companies.

Copyright © 2006–2007 Spansion Inc. All Rights Reserved. Spansion, the Spansion logo, MirrorBit, ORNAND, HD-SIM, and combinations thereof are trademarks of Spansion Inc. Other names are for informational purposes only and may be trademarks of their respective owners.