

Features

- **Module Size:** 55 x 72 mm (Smaller than Smart Card)
- **Microcontroller:** Atmel ARM9[®]-based AT91RM9200
- **SDRAM:** 128 Mbits
- **Flash:** Atmel DataFlash[®] 32 Mbits
- **Fingerprint Sensor:** Atmel FingerChip[®] AT77C101B-CB02V
- **Operating Temperature Range:** -30° C to +65° C
- **Operating Voltage:** 3.3V ±10%
- **Power Consumption:** 200 mA in Typical Conditions
- **Operating System:** Linux[®] (Kernel 2.4.19)
- **Available interfaces on Extension Connector:**
 - Drivers Provided for SPI, Ethernet, Serial DBGU
 - Drivers not Provided for USB Host and Device, TWI, RS-485, IrDA, SmartCard, MMC/SD Card, SSC, RTC, JTAG...
- **Software Suite with Embedded Pre-loaded Bio-engine**

Description

This document describes the specifications of Atmel's AT77SM0101BCB02VKE FingerChip biometric module. Based on Atmel's FingerChip fingerprint sensor, ARM9 microcontroller and flash memory, the AT77SM0101BCB02VKE provides the main biometric functions such as user enrollment, authentication and identification in a packaged module, making it easy to integrate into a final system.

The AT77SM0101BCB02VKE is particularly well-suited to Physical Access Control, Point of Sale devices, Time and Attendance or Vending Machines.

The AT77SM0101BCB02VKE provides great flexibility because of its memory capacity and powerful microcontroller loaded with the Linux operating system, and features many possible interfaces, including Ethernet. The AT77SM0101BCB02VKE biometric module requires the purchase of the Evaluation/Development Kit AT77SM0101BCB02VEK to develop the user interface of the final application.

Applications

- Physical Access Control
- Time and Attendance Systems
- Automated Teller Machines, Points of Sale
- Vending Machines
- Smart Homes
- Locks, Safes
- Reference Design for ARM9 and FingerChip Design Development

Figure 1. FingerChip Biometric Module AT77SM0101BCB02VKE



FingerChip[®] Biometric Module

AT77SM0101BCB02VKE

Functional Description

The AT77SM0101BCB02VKE is a biometric sub-system based on Atmel's FingerChip fingerprint sensor. It comprises a fingerprint sensor connected to a board that embeds processing capabilities through an ARM9-based AT91RM9200 microprocessor, and memory to store the software and fingerprint templates.

The biometric module must be connected to a motherboard for power supplies and interface connections. Connection to the motherboard is achieved through two standard connectors located on the sides of the module board.

The module is loaded with a Linux operating system, an Atmel driver for the FingerChip sensor, and by default, authentication software (biometric library) for extraction of fingerprint characteristics and comparison with enrolled templates (also called bio-engine). The standalone module can perform the following:

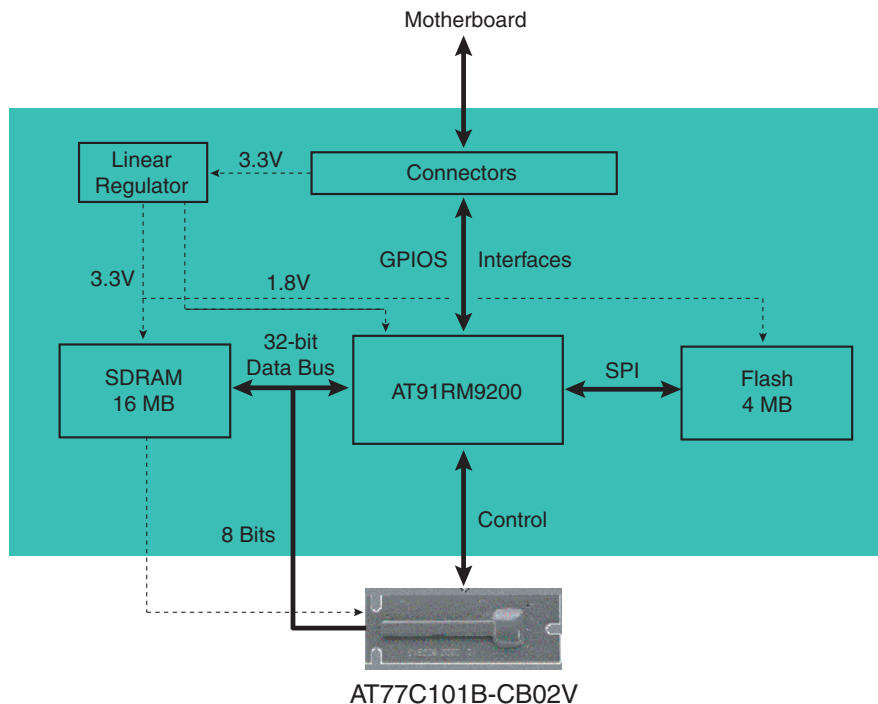
- Enrollment: an operation where the end-user scans his fingerprint by sweeping it across the FingerChip sensor, providing a fingerprint signature reference (template)
- Authentication: accurate matching of the newly acquired fingerprint against the template stored in the board's memory during the enrollment procedure, used to validate user authentication
- Identification: matching of the fingerprint image against the correct template within a database of previously acquired templates

These three functions can then be used in any application requiring authentication to grant rights to a user, or to change criteria of the user's profile. Examples of typical applications might include physical access control or time and attendance monitoring.

The AT77SM0101BCB02VEK Evaluation Kit provides all the tools necessary for easy development of a customized application using the biometric module APIs.

The AT77SM0101BCB02VKE biometric module lets you add convenient and secured user authentication to your products in a surprisingly reduced development time.

Figure 2. AT77SM0101BCB02VKE Block Diagram



Technical Description

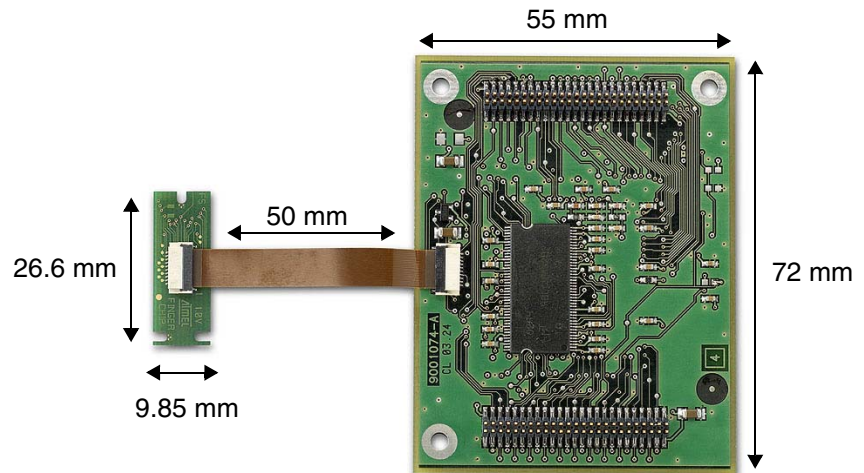
Atmel's FingerChip biometric module includes the AT77C101B-CB02V FingerChip sensor (8-bit parallel interface) connected through a flex cable to the module itself.

Module Size and Length of Flex

The board size of the module is 55 mm x 72 mm. It has three screw holes for easy fixing to the motherboard or casing of the final system.

The flexible cable is 5 cm long. It is a single straight cable made of copper.

Figure 3. AT77SM0101BCB02VKE Board Dimensions



The dimensions of the sensor are 26.6 mm x 9.85 mm x 2.6 mm for the PCB. The die size is 1.7 mm x 17.3 mm.

Description of Motherboard Interface

Figure 4. Motherboard Interface

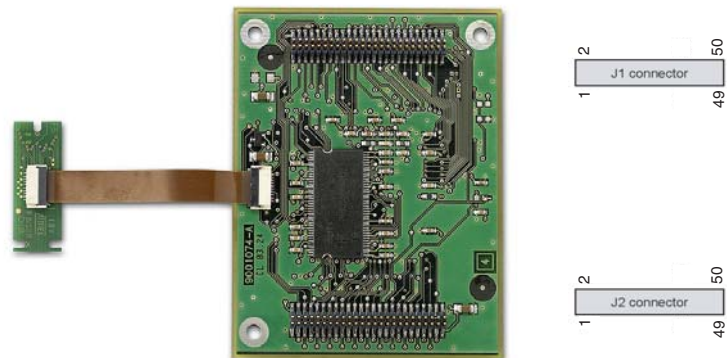


Table 1. J1 Pin Description

Pin	Description	Pin	Description
1	GND	2	3V3
3	NBS3	4	NBS1
5	PC10	6	NRD_NOE_NCFOE
7	PC11	8	NWR0_NWE_NCFWE
9	PC12	10	NCS3_NSMCS
11	PC14*	12	PC15*
13	PC1	14	PC0*
15	PC2	16	PC3
17	PC4	18	PC5
19	PC6	20	PA15/EMDC
21	PA0/MISO	22	PA16/EMDIO
23	PA1/MOSI	24	PA17/TXD0
25	PA2/SPCK	26	PA18/RXD0
27	PA4/NPCS1	28	PA19/SCK0
29	PA5/NPCS2	30	PA20/CTS0
31	PA6/NPCS3	32	PA21/RTS0
33	PA7/EREFCK	34	PA22
35	PA8/ETXEN	36	PA23/IRQ3
37	PA9/ETX0	38	PA24
39	PA10/ETX1	40	PA25/TWD
41	PA11/ECRSDV	42	PA26/TWCK
43	PA12/ERX0	44	PA29
45	PA13/ERX1	46	PA28
47	PA14/ERXER	48	PA27
49	3V3	50	GND

Note: Pins 11, 12 and 14: do not use when the AT77C101B is connected to the module.

Table 2. J2 Pin Description

Pin	Description	Pin	Description
1	GND	2	3V3
3	PB22	4	PC9
5	PB19	6	PC8
7	PB18	8	PC7
9	PB17	10	DDP
11	PB16	12	DDM
13	PB15	14	HDPA
15	PB14	16	HDMA
17	PB13	18	PB29/IRQ0
19	PB12	20	PB28/FIQ
21	PB11	22	PB27
23	PB10	24	PB26
25	PB9	26	PB25
27	PB8	28	PB24
29	PB7	30	PB23
31	PB6	32	NRST
33	PB5	34	NTRST
35	PB4	36	TMS
37	PB3	38	TCK
39	PB2	40	TDO
41	PB1	42	TDI
43	PB0	44	JTAGSEL
45	PA31	46	PB21
47	PA30	48	PB20
49	3V3	50	GND

The pins are used to connect the following interfaces:

- USB device: pins 10 and 12 of J2 connector
- USB host: pins 14 and 16 of J2 connector
- TWI: pins 40 and 42 of J1 connector
- JTAG: pins 32, 34, 36, 38, 40, 42 and 44 of J2 connector
- SPI: pins 21, 23, 25, 27, 29 and 31 of J1 connector
- Two serial links: RS-232, RS-485, IrDA and/or Smart Card
- Ethernet or MMC/SD card

Board's Main Components

ARM9-based AT91RM9200 Microcontroller

The AT91RM9200 microcontroller features the following:

- 200 MIPS capability
- 16 KB data cache
- 16 KB instruction cache
- 16 KB SRAM
- ROM boot
- Ethernet MAC
- USB 2.0 full-speed host and device
- USART, DMA, TWI, SPI, SSC, MCI

The ARM9 operates at 200 MHz on the module.

Memory

The AT77SM0101BCB02VKE biometric module features:

- 128 Mbits (16 Mbytes) of SDRAM on a 32-bit parallel data bus interface operating at 66 MHz
- 32 Mbits (4 Mbytes) of Atmel DataFlash on an SPI bus operating at 10 MHz

AT77C101B-CB02V Sensor

The sensor has the following characteristics:

- A sensitive layer over a 0.8 μm CMOS array
- An image zone of 0.4 \times 14 mm, equalling 0.02 in. \times 0.55 in.
- An image array of 8 \times 280, equalling 2240 pixels
- A pixel pitch of 50 μm \times 50 μm , equalling 500 dots-per-inch resolution
- A pixel clock of up to 2 MHz with a capacity of up to 1780 frames per second
- A die size of 1.7 \times 17.3 mm
- An operating voltage range of 3V to 5.5V
- A natural protection from electrostatic discharge (ESD) up to 16 kV of air discharge. Use of metal casing or metalized plastic in the final application is strongly recommended
- A power consumption of 20 mW at 3.3V, 1 MHz, 25°C
- An operating temperature range of -40°C to +85°C
- A strong resistance to abrasion with the capability to withstand over 1 million finger sweeps
- A sweep speed ranging from 2 cm/s to 20 cm/s
- A low power consumption of 6 mA typical in acquisition mode and 10 μA in standby mode

Storage Capacity

Figure 5. RAM Memory Mapping

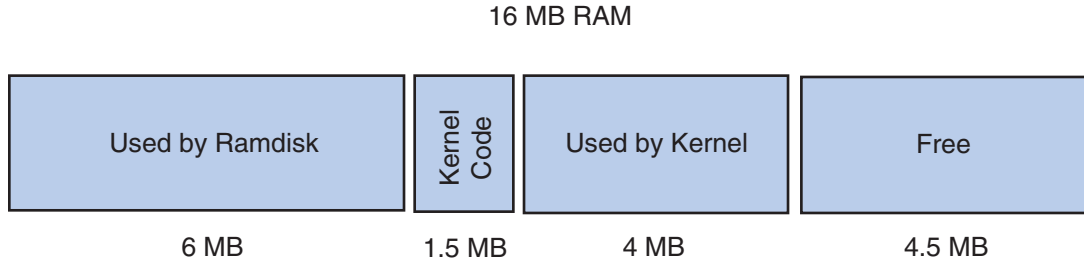
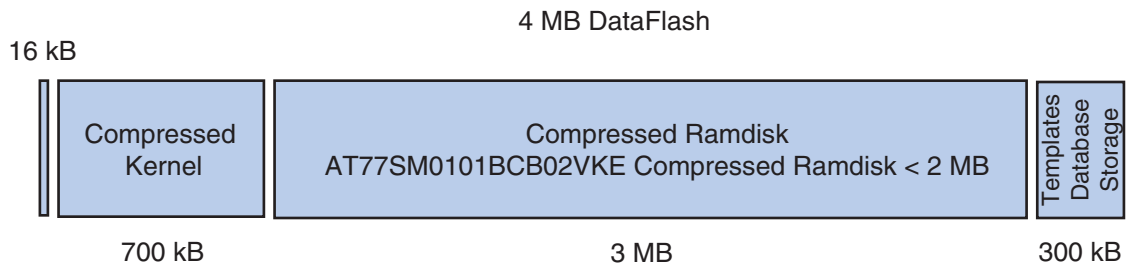


Figure 6. DataFlash Memory Mapping



Biometric Performances

The device’s biometric performances are characterized by the following:

- An image size of 500 × 400
- 256 levels of grey
- A finger swiping speed from 2 to 15 cm/s
- An FRR under 3% at an FAR 10⁻⁴ rate using an IKENDI® algorithm
- An authentication time of under 10 ms
- A biometric template size of 384 bytes
- An authentication algorithm size of 420 kbytes
- An identification time of under 1 second for 50 templates

Software

**Operating System
Driver Modules**

The biometric module comes preloaded with the Linux operating system (kernel 2.4.19 rmk 7). The kernel includes:

- Ramdisk support
- A serial port driver supporting DBGU and up to four UARTs
- An SPI driver
- Ethernet layers 10/100 Mbits (compatible with MII protocol)
- Watchdog support

Further information can be retrieved at <http://www.arm.linux.org.uk>.



Two drivers are provided as modules that can be loaded or unloaded during runtime. These are:

- The FingerChip driver: FingerChip_mod.o, version 2.0 enabling on-the-fly reconstruction of images
- A GPIOs driver: Leds_mod.o, version 2.0, used to drive switches, LEDs etc.

Environmental Specifications

Operating Conditions

Absolute Maximum Ratings*

Power Supply Voltage (V_{CC})-0.3V to 4.6V Storage Temperature (T_{stg}) -40° C to +85° C	*NOTICE: Stresses beyond those listed under “Absolute Maximum Ratings” may cause permanent damage to the device. This is a stress rating only and functional operation of the device at these or any other conditions beyond those indicated in the operational sections of this specification is not implied. Exposure to absolute maximum rating conditions for extended periods may affect device reliability.
--	--

Recommended Conditions of Use

Parameter	Symbol	Comments	Min	Typ	Max	Unit
Positive supply voltage	V_{CC}	3.3V ±10%	3	3.3	3.6	V
Operating temperature range	T_{amb}	Telecom: “T grade”	-30° C to +65° C			°C

Sensor Resistance

	Min Value	Standard Method
ESD		
Air discharge on die surface (Zap gun), sensor included in casing	±16 kV	NF EN 6100-4-2
Mechanical Abrasion		
Number of cycles without lubricant [a multiplication by a factor of 20 should be applied for correlation with a real finger]	200,000	MIL E 12397B
Chemical Resistance		
Cleaning agents, acid, grease, alcohol, diluted acetone	4 hours	Internal method

Note: Resistance characteristics are given for the sensor only.

Electrical Characteristics

Parameter	Symbol	Comments	Min	Typ	Max	Unit
Current on V_{CC}	I_{CC}	3.3V ±10%		200	300	mA

Module Integration

Mechanics

The size of the board and the flex cable make integrating the standalone module into the final product simple and convenient. In addition, the module can be fixed to the main board or the casing using three screws.

Fingerprint Sensor

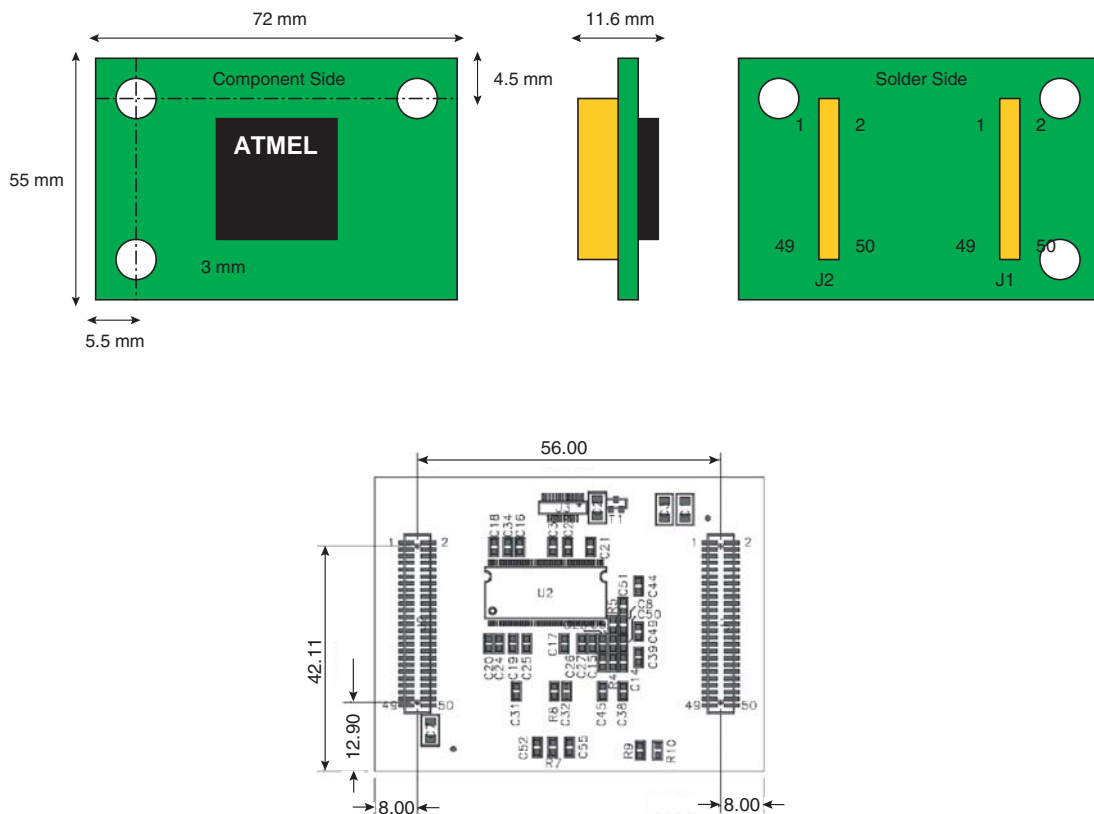
Atmel recommends fixing the sensor by inserting it into the casing's groove. Care should be given to ensuring that:

- The casing provides sufficient aeration
- The board is implemented vertically with the flex connector outputs oriented downwards
- The sensor is protected from direct exposure to rain when used outdoors

Connection of the Module Board to the Motherboard

The standalone module board measures 55 mm by 72 mm. It has three screw holes for easy fixing to the motherboard or casing of the final system. Connection to the motherboard is achieved through two connectors each comprising 2 x 25 pins, which are located on the sides of the module board. The height of the components under the module must not exceed 5 mm.

Figure 7. Module Board Mechanical Data





Electrical Integration

The motherboard must at least provide power supplies and the required components in order to implement the desired interfaces. Atmel recommends using a linear power supply of 3.3V to power the standalone module.

An example of a possible implementation is given in the Development Kit documentation (this kit can be ordered through your local Atmel distributor). Reading this documentation is strongly recommended to proceed with accurate programming of the board application.

Evaluation and Development Kit

Figure 8. AT77SM0101BCB02VEK



**AT77SM0101BCB02VEK
Content**

This kit includes:

- A demo kit board with an integrated biometric module
- A power supply with adapters for international power outlets
- A crossed Ethernet cable
- A serial cable
- A "Quick Start" guide
- A CD-ROM comprising all the necessary tools and documentation

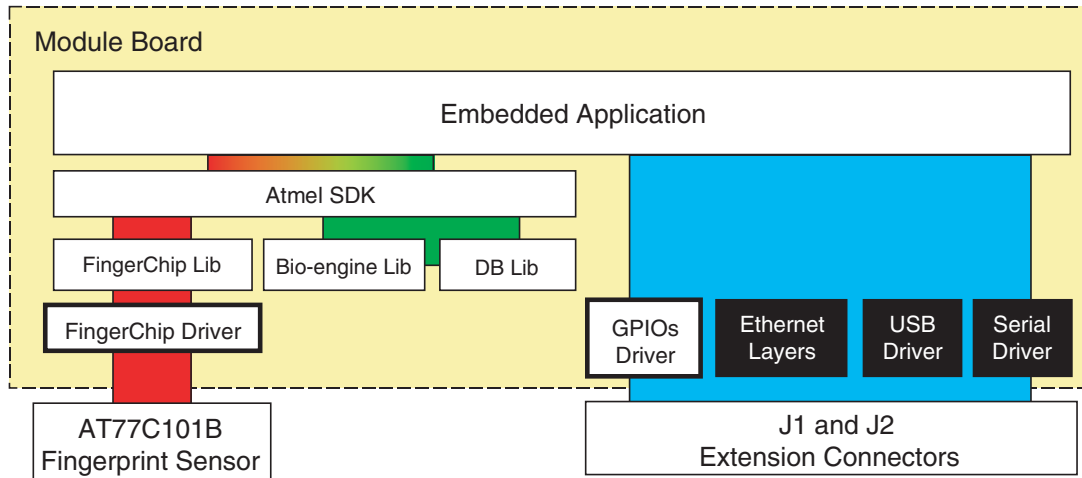
**Authentication Software
and SDK**







The Development Kit includes a complete software SDK for easy access to the Finger-Chip’s hardware (image capture). This SDK also allows the user to control the bio-engine (authentication software) and manage the database through high-level functions.

The authentication software is directly preloaded onto the module. The SDK also includes a communication protocol to control the module from a PC.

Stack Schematics

Figure 9. Stack Schematics

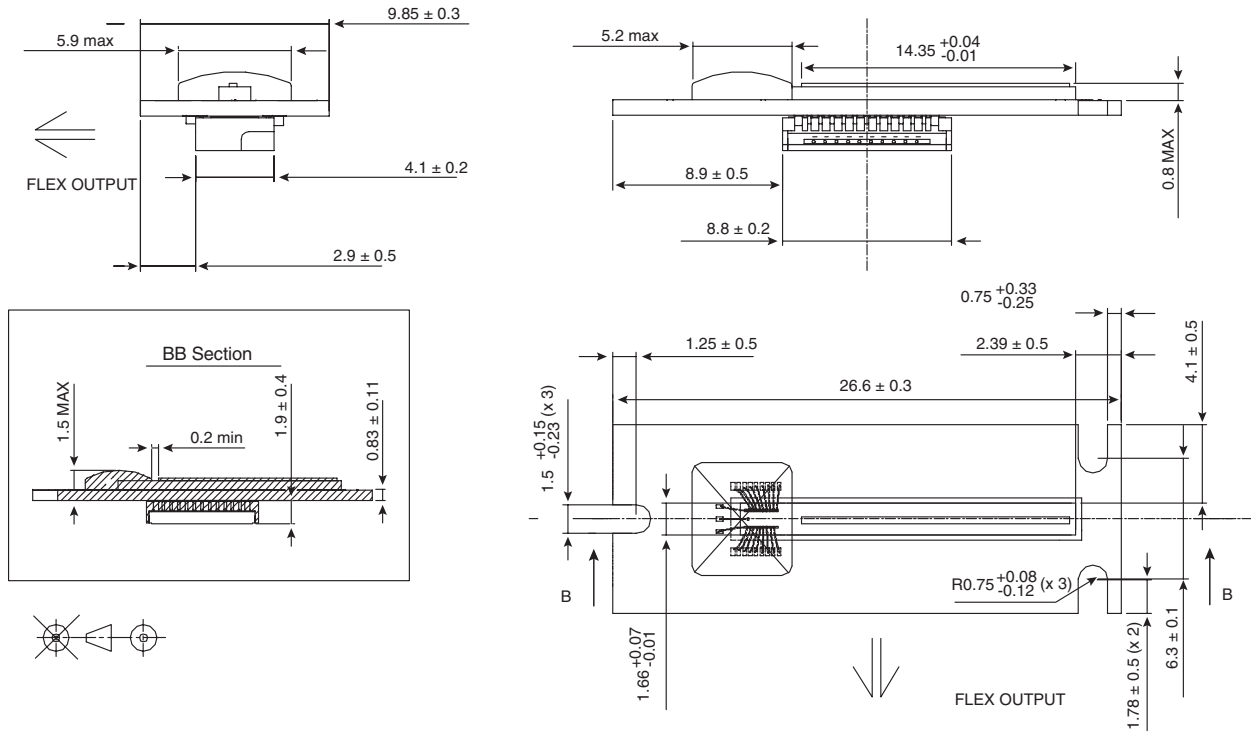


-  The fingerprint acquisition channel runs through Atmel's SDK
-  Enrollment, verification and identification through the bio-engine but controlled by Atmel's SDK
-  Database manipulation is achieved through Atmel's SDK or directly through the bio-engine
-  Generic communication with the outside world is controlled via GPIOs, the Ethernet or USB port or serial link for which drivers are available and directly accessible from the application layer
-  Static drivers
-  Dynamic drivers

**Packaging
Mechanical Data**

Figure 10. Product Reference AT77C101B-CB02V

All dimensions in mm



Ordering Information

The standalone module is available in Europe through Atmel distributors.

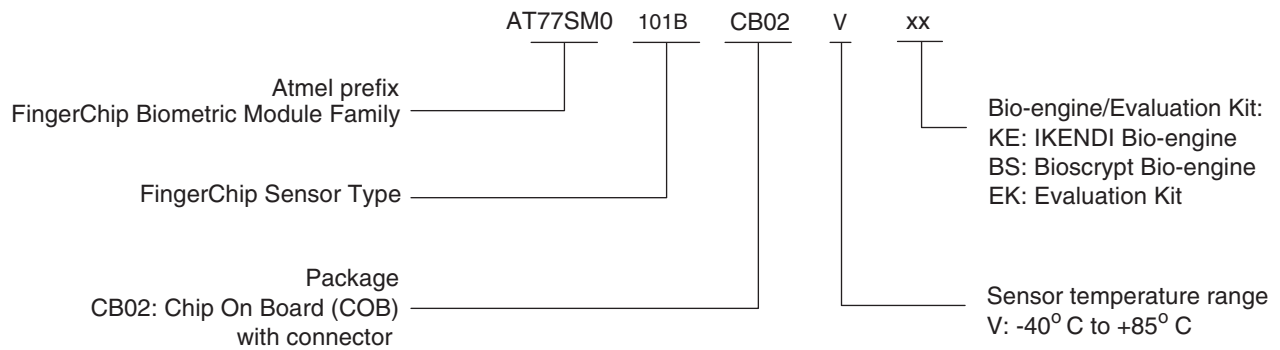
Two references are available for the module:

- AT77SM0101BCB02VKE (includes IKENDI bio-engine license)
- AT77SM0101BCB02VBS (includes Bioscrypt Inc. bio-engine license)

The Development Kit (reference AT77SM0101BCB02VEK) is also available in Europe through Atmel's distributors.

Naming Convention

Figure 11. Naming Convention





Atmel Corporation

2325 Orchard Parkway
San Jose, CA 95131, USA
Tel: 1(408) 441-0311
Fax: 1(408) 487-2600

Regional Headquarters

Europe

Atmel Sarl
Route des Arsenalux 41
Case Postale 80
CH-1705 Fribourg
Switzerland
Tel: (41) 26-426-5555
Fax: (41) 26-426-5500

Asia

Room 1219
Chinachem Golden Plaza
77 Mody Road Tsimshatsui
East Kowloon
Hong Kong
Tel: (852) 2721-9778
Fax: (852) 2722-1369

Japan

9F, Tonetsu Shinkawa Bldg.
1-24-8 Shinkawa
Chuo-ku, Tokyo 104-0033
Japan
Tel: (81) 3-3523-3551
Fax: (81) 3-3523-7581

Atmel Operations

Memory

2325 Orchard Parkway
San Jose, CA 95131, USA
Tel: 1(408) 441-0311
Fax: 1(408) 436-4314

Microcontrollers

2325 Orchard Parkway
San Jose, CA 95131, USA
Tel: 1(408) 441-0311
Fax: 1(408) 436-4314

La Chantrerie
BP 70602
44306 Nantes Cedex 3, France
Tel: (33) 2-40-18-18-18
Fax: (33) 2-40-18-19-60

ASIC/ASSP/Smart Cards

Zone Industrielle
13106 Rousset Cedex, France
Tel: (33) 4-42-53-60-00
Fax: (33) 4-42-53-60-01

1150 East Cheyenne Mtn. Blvd.
Colorado Springs, CO 80906, USA
Tel: 1(719) 576-3300
Fax: 1(719) 540-1759

Scottish Enterprise Technology Park
Maxwell Building
East Kilbride G75 0QR, Scotland
Tel: (44) 1355-803-000
Fax: (44) 1355-242-743

RF/Automotive

Theresienstrasse 2
Postfach 3535
74025 Heilbronn, Germany
Tel: (49) 71-31-67-0
Fax: (49) 71-31-67-2340

1150 East Cheyenne Mtn. Blvd.
Colorado Springs, CO 80906, USA
Tel: 1(719) 576-3300
Fax: 1(719) 540-1759

Biometrics/Imaging/Hi-Rel MPU/ High Speed Converters/RF Datacom

Avenue de Rochepleine
BP 123
38521 Saint-Egreve Cedex, France
Tel: (33) 4-76-58-30-00
Fax: (33) 4-76-58-34-80

Literature Requests

www.atmel.com/literature

Disclaimer: Atmel Corporation makes no warranty for the use of its products, other than those expressly contained in the Company's standard warranty which is detailed in Atmel's Terms and Conditions located on the Company's web site. The Company assumes no responsibility for any errors which may appear in this document, reserves the right to change devices or specifications detailed herein at any time without notice, and does not make any commitment to update the information contained herein. No licenses to patents or other intellectual property of Atmel are granted by the Company in connection with the sale of Atmel products, expressly or by implication. Atmel's products are not authorized for use as critical components in life support devices or systems.

© Atmel Corporation 2004. All rights reserved. Atmel® and combinations thereof, DataFlash® and FingerChip® are the registered trademarks of Atmel Corporation or its subsidiaries. ARM® and ARM9® are the registered trademarks of ARM Ltd. Linux® is the registered trademark of Linus Torvalds. Bioscrypt® is the registered trademark of Bioscrypt Inc. IKENDI® is the registered trademark of IKENDI Software AG. Other terms and product names may be the trademarks of others.



Printed on recycled paper.

5391A-BIOM-09/04