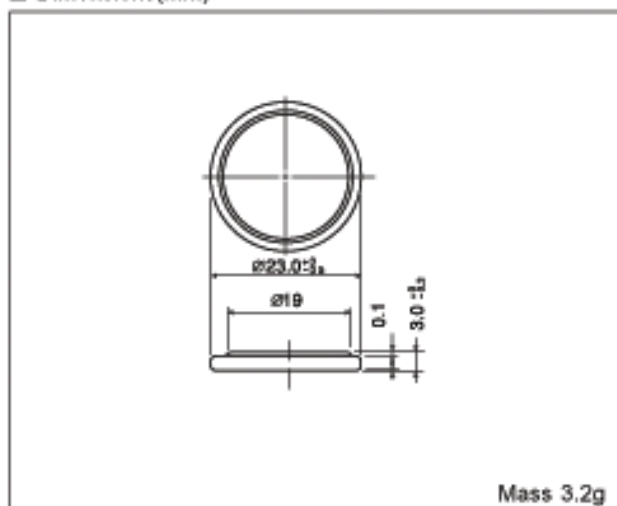


BR2330A

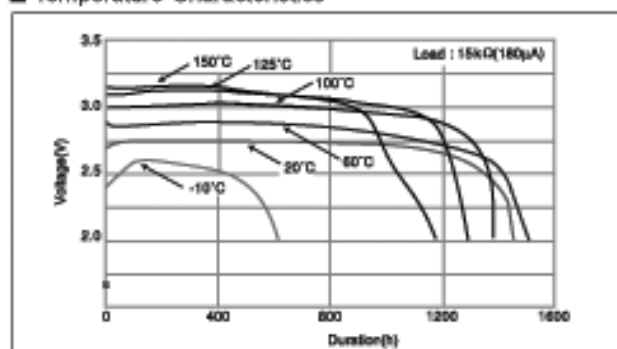
■ Dimensions(mm)



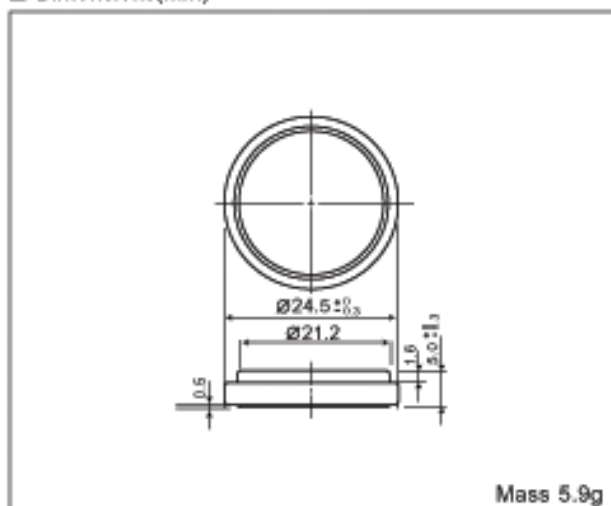
■ Specification

Nominal voltage(V)	3
Nominal capacity(mAh)	255
Continuous drain(mA)	0.03
Operating temperature(°C)	-40 ~ +125

■ Temperature Characteristics

**BR2450A**

■ Dimensions(mm)



■ Specification

Nominal voltage(V)	3
Nominal capacity(mAh)	550
Continuous drain(mA)	0.03
Operating temperature(°C)	-40 ~ +125

* Please contact Panasonic for the latest information on this product.