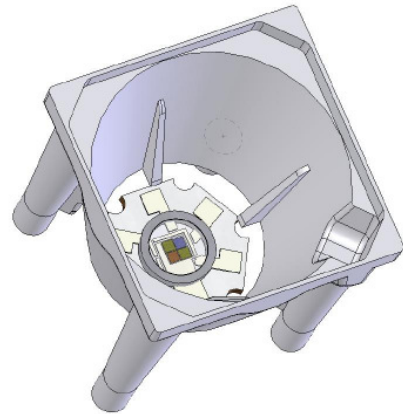
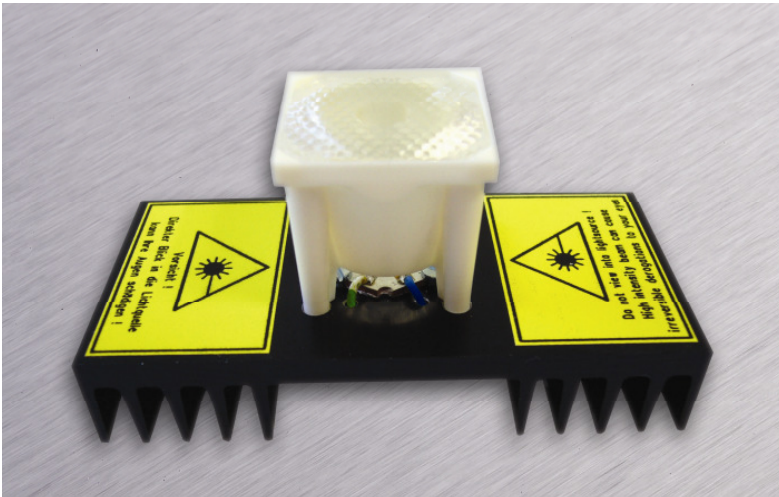


ACULED™ LHS-AL25 Lens System

Standard Optics for ACULED™ RGB Light Source



Introduction

The ACULED LHS-AL25 lens system is designed to collect and guide the light emitted by the ACULED RGB LED.

Easily attachable lenses lead the beam into a smaller angle to provide more light power in a particular certain direction.

With the LHS-AL25, PerkinElmer's ultra bright ACULED RGB light source is even further "setting the mood" in illumination. Test it using our Evaluation Kit.

Features and Benefits

- High luminous flux by collecting lenses
- Small footprint due to complex lens design
- Optics including micro lenses for excellent color mixing
- Two different aperture angles available, customized optics on request
- Increased luminous intensity compared to bare ACULED

Applications

- High-power light source for general illumination
- Vision systems
- Architectural lighting
- Mood lighting
- Medical lighting
- Backlighting
- Displays and signs

Specifications

	Material	Transmission	Holder	Operating and Storage Temperature	Divergence Angles	Part Number
ACULED LHS-AL25-L22	Optical grade PMMA	Typically > 90% from 500 nm to 700 nm	ABS	- 40° C to + 80° C	typically 22° with 2.6 mm micro lenses (medium beam)	LHS-AL25-L22
ACULED LHS-AL25-L32	Optical grade PMMA	Typically > 90% from 500 nm to 700 nm	ABS	- 40° C to + 80° C	typically 32° with 1.7 mm micro lenses (wide beam)	LHS-AL25-L32

Flammability class (1.5 mm nominal thickness):

- Optics (PMMA): class HB second IEC 60695-11-10
- Lens holder (PC-ABS): UL recognized, 94 V-0 flame class rating

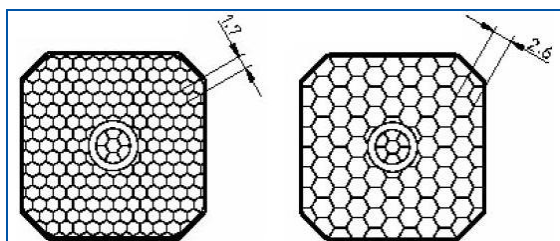


Figure 1

Top view of optics (micro lens structure).

Left: wide beam (32°).

Right: medium beam (22°).

Dimensions

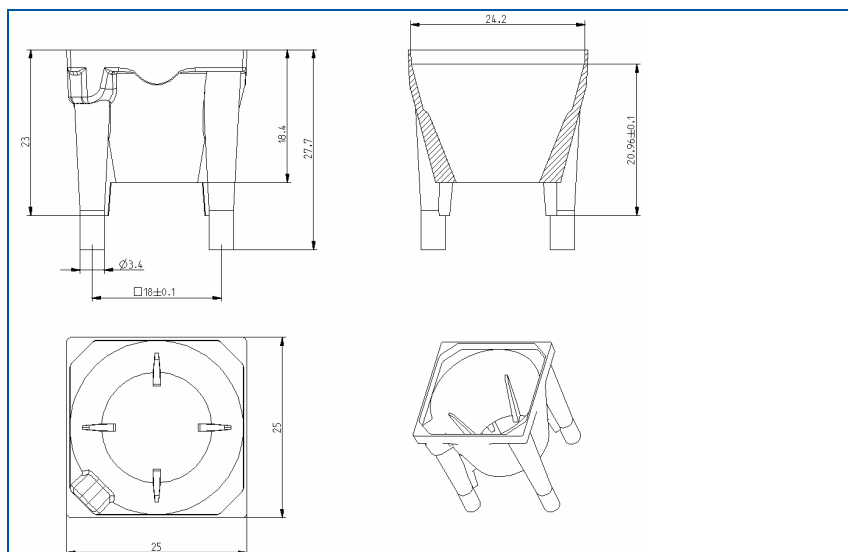


Figure 2

Dimensions of the LHS-AL25 lens holder. Tolerances are according to EN 22768/1.

Assembly

The ACULED LHS-AL25 should be mounted directly to the substrate (heat sink), where the ACULED itself is mounted to. The four feet of the holder have to be planar to the backside of the ACULED copper board to achieve proper beams. Please refer to figure 2 and 3 for details of the holder.

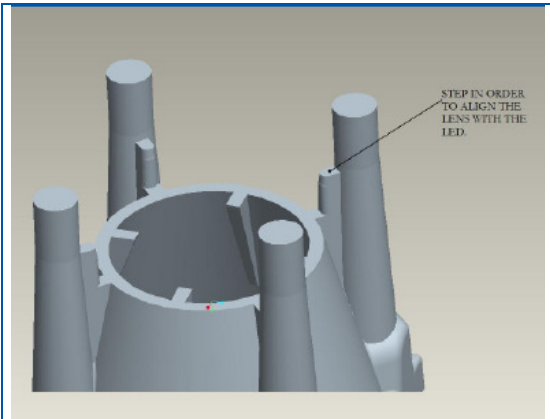


Figure 3

This figure shows the holder upside down. The steps at the legs should stand on the substrate where the ACULED is mounted on to achieve proper vertical alignment.

The ACULED lens should be placed on the optical axis of the ACULED. This is defined as the middle of the gap cross between the four chips of the ACULED. Please refer to figures 4 to 6 for details.

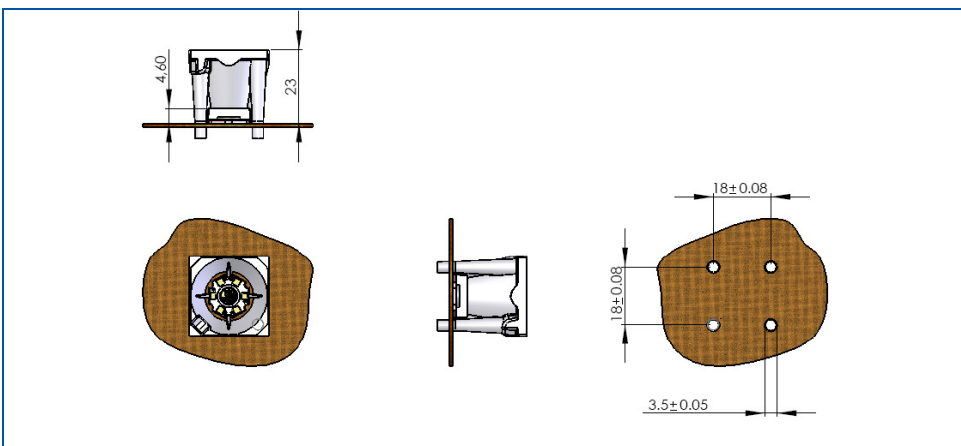


Figure 4

Diameter and distances of the holes in the board where the lens holder is mounted. The distance between the holes and the ACULED's centers is 12.73 mm.

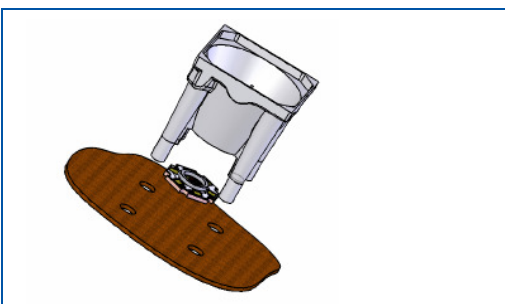


Figure 5

How to assemble lens (holder), ACULED and substrate (heat sink) in principle.

Do not look directly into the high-power LED light source. The high intensity beam could cause irreversible damage to your eyes.

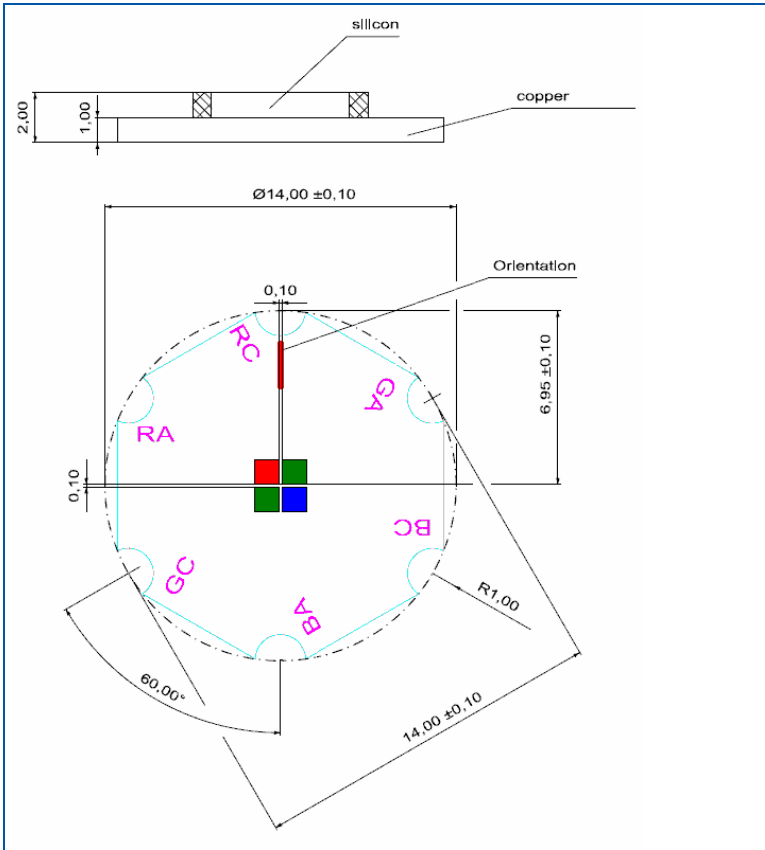


Figure 6

Dimensions and tolerances of the ACULED. The middle of the gap cross defined by the four chips should be on the optical axis of the lens.

Attention: Using lenses can concentrate the total amount of light emitted by an LED. Take care to avoid any direct exposure to human eyes in your application.

Worldwide Headquarters
PerkinElmer Optoelectronics
 44370 Christy Street
 Fremont, CA 94538-3180
 Telephone: +1 510-979-6500
 Toll free: (North America) +1 800-775-OPTO (6786)
 Fax: +1 510-687-1140
 Email: opto@perkinelmer.com
www.optoelectronics.perkinelmer.com

European Headquarters
PerkinElmer Optoelectronics
 Wenzel-Jaksch-Str. 31
 65199 Wiesbaden, Germany
 Telephone: (+49) 611-492-247
 Fax: (+49) 611-492-170
 Email: opto.Europe@perkinelmer.com

Asia Headquarters
PerkinElmer Optoelectronics
 47 Ayer Rajah Crescent #06-12
 Singapore 139947
 Telephone: (+65) 6775-2022
 Fax: (+65) 6775-1008
 Email: opto.Asia@perkinelmer.com



For a complete listing of our global offices, visit www.optoelectronics.perkinelmer.com
 ©2006 PerkinElmer, Inc. All rights reserved. The PerkinElmer logo and design are registered trademarks of PerkinElmer, Inc. ACULED™ is a trademark of PerkinElmer, Inc. or its subsidiaries, in the United States and other countries. All other trademarks not owned by PerkinElmer, Inc. or its subsidiaries that are depicted herein are the property of their respective owners. PerkinElmer reserves the right to change this document at any time without notice and disclaims liability for editorial, pictorial or typographical errors.
 600135_01 DTS0406