

Features

- Bipolar Hall Effect Latch Sensor
- 3V to 20V DC Operation Voltage
- Built-in Pull-Up Resistor
- 25mA Output Sink Current
- Operating Temperature: -40°C ~ +125°C
- Lead Free Finish/RoHS Compliant for Lead Free products (Note 1)
- Lead Free Package: SIP-3L, SC59-3L
- Green Package: SC59-3L

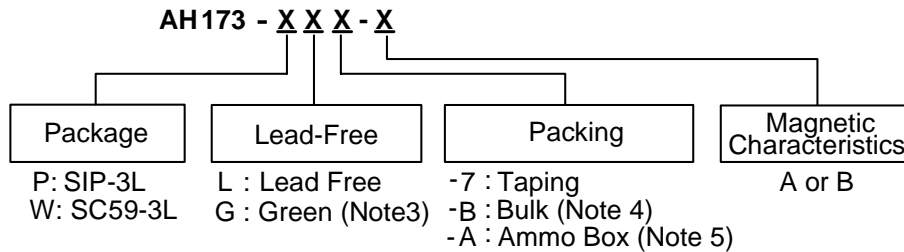
General Description

AH173 is a single-digital-output Hall-effect sensor with pull-up resistor for high temperature operation. The device includes an on-chip Hall voltage generator for magnetic sensing, an amplifier to amplify Hall voltage, and a comparator to provide switching hysteresis for noise rejection, and an output driver with a pull-up resistor (Rpu). An internal band-gap regulator is used to provide temperature compensated supply voltage for internal circuits and allows a wide operating supply range. While the magnetic flux density (B) is larger than operate point (Bop), the OUT pin turns on (low). If B moves toward release point (Brp), the OUT pin is latched “on” state prior to B < Brp. When B < Brp, the OUT pin goes into “off” state.

Applications

- Rotor Position Sensing
- Current Switch
- Encoder
- RPM Detection

Ordering Information



Note: 1. RoHS revision 13.2.2003. Glass and High Temperature Solder Exemptions Applied, see *EU Directive Annex Notes 5 and 7*.

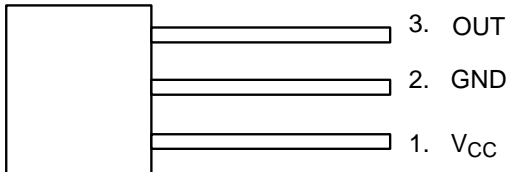
Device	Package Code	Packaging (Note 2)	Tube/Bulk		7" Tape and Reel		Ammo Box	
			Quantity	Part Number Suffix	Quantity	Part Number Suffix	Quantity	Part Number Suffix
AH173-P	P	SIP3-3L	1000	-B	NA	NA	4000/Box	-A
AH173-W	W	SC59-3L	NA	NA	3000/Tape & Reel	-7	NA	NA

- Note: 2. Pad layout as shown on Diodes Inc. suggested pad layout document AP02001, which can be found on our website at <http://www.diodes.com/datasheets/ap02001.pdf>.
3. Green is only available for SC59-3L
4. Bulk is for SIP-3 Straight Lead.
5. Ammo Box is for SIP-3 Spread Lead.

Pin Assignment

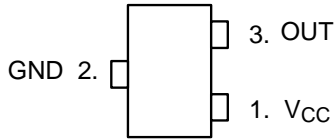
Pin Description

(Top View)



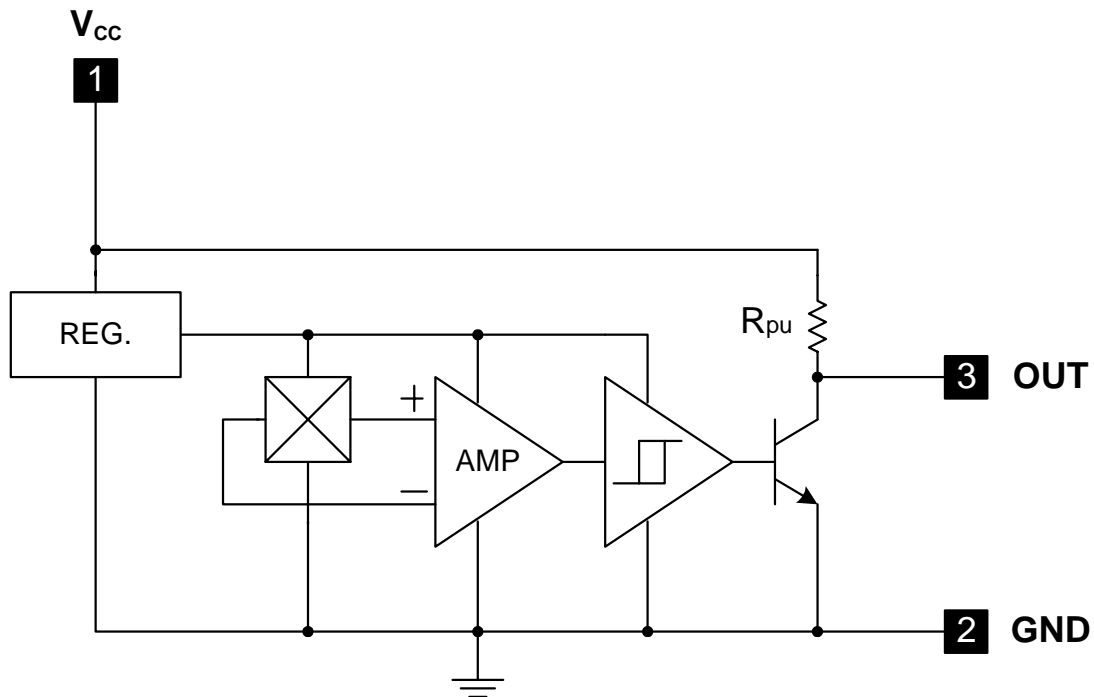
(SIP-3L package)

Name	Description
V _{CC}	Positive Power Supply
GND	Ground
OUT	Output Stage

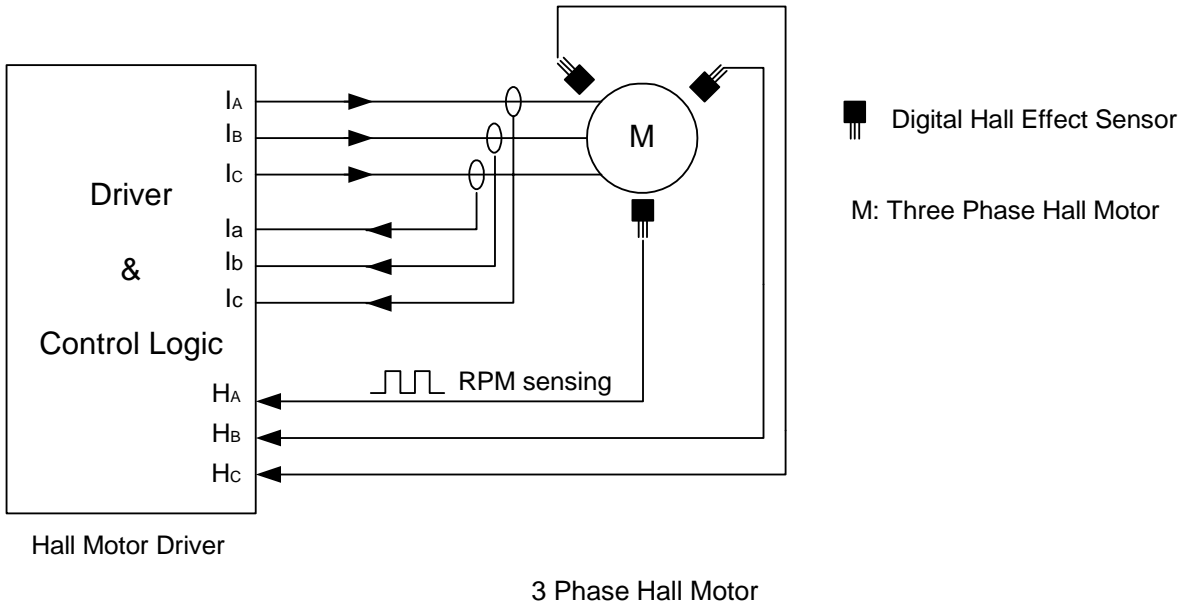


(SC59-3L Package)

Block Diagram



Functional Application Circuit



Absolute Maximum Ratings ($T_A = 25^\circ\text{C}$)

Characteristics	Symbol	Values	Unit
Supply Voltage	V_{CC}	20	V
Output "Off" Voltage	$V_{out (off)}$	20	V
Output "On" Current	$I_o (sink)$	25	mA
Operating Temperature Range	T_{op}	-40~+125	$^\circ\text{C}$
Storage Temperature Range	T_{stg}	-65~+150	$^\circ\text{C}$
Maximum Junction Temperature	T_j	+150	$^\circ\text{C}$
Power Dissipation	SIP-3L	P_D	550
	SC59-3L		230

Electrical Characteristics ($T_A = 25^\circ\text{C}$)

Characteristics	Symbol	Conditions	Min.	Typ.	Max.	Unit
Supply Voltage	V_{cc}		3	-	20	V
Output Saturation Voltage	$V_{out (sat)}$	$V_{CC} = 12V, OUT "ON"$ $I_o = 10mA$	-	300	400	mV
Supply Current	I_{cc}	$V_{CC} = 12V, OUT "OFF"$	-	3.5	6	mA
Internal Pull-up Resistor	R_{pu}		7	10	13	$K\Omega$
Dropout Voltage	V_d	$V_d = V_{cc} - V_{ce}$	-	-	0.3	V

Functional Application Circuit

(1mT = 10 Gauss)

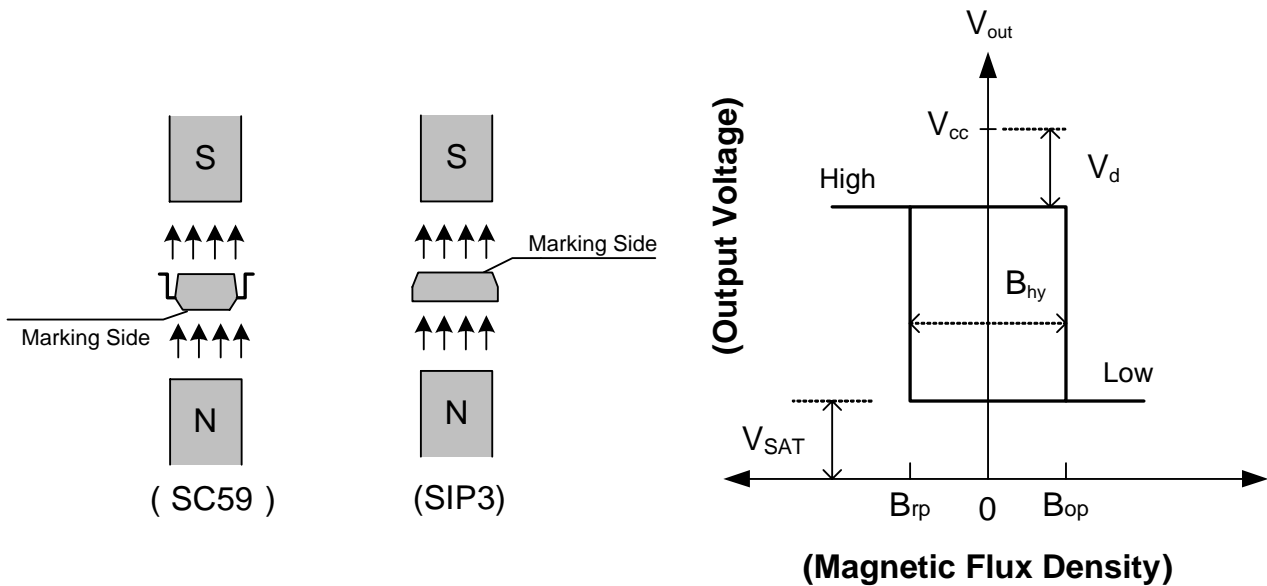
A grade

Characteristics	Symbol	Min.	Typ.	Max.	Unit
Operation Point	Bop	15	-	60	Gauss
Release Point	Brp	-60	-	-15	Gauss
Hysteresis	Bhy	-	80	-	Gauss

B grade

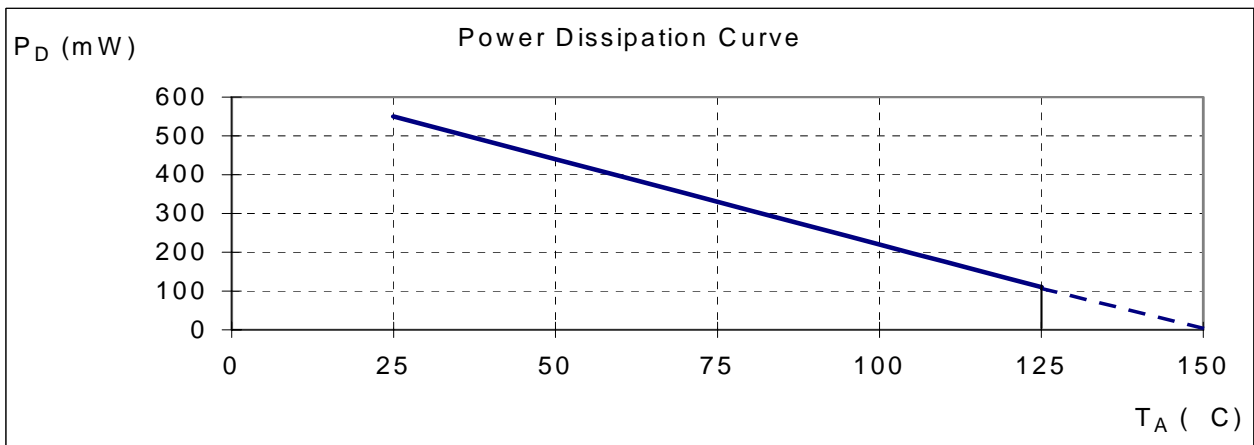
Characteristics	Symbol	Min.	Typ.	Max.	Unit
Operation Point	Bop	5	-	80	Gauss
Release Point	Brp	-80	-	-5	Gauss
Hysteresis	Bhy	-	80	-	Gauss

Operating Characteristics



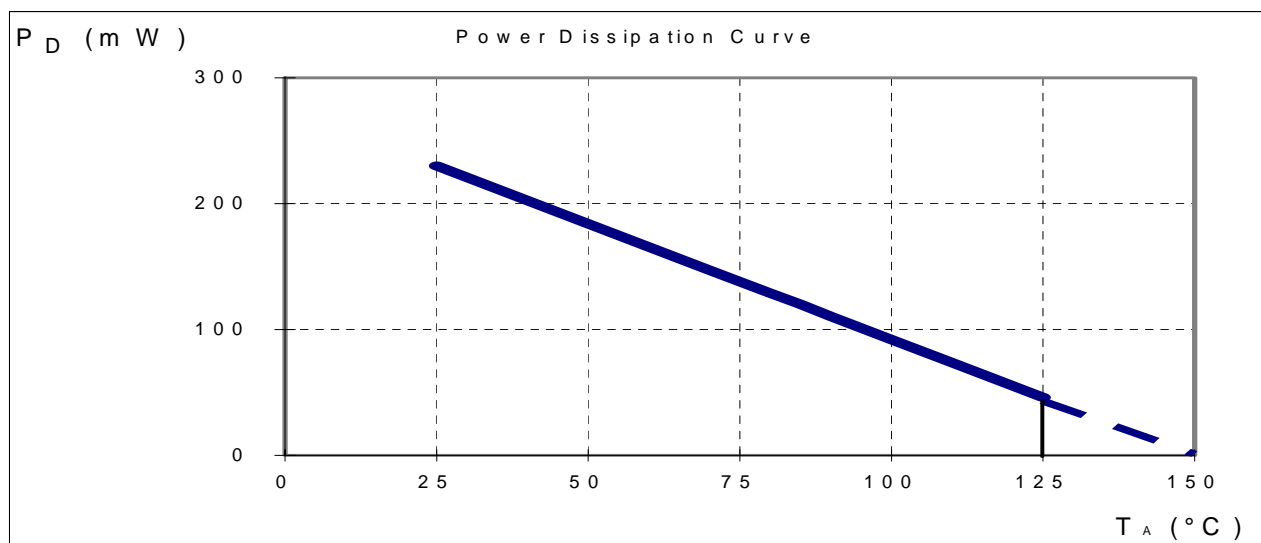
Performance Characteristics (SIP-3L)

T_A (°C)	25	50	60	70	80	85	90	95	100
P_D (mW)	550	440	396	352	308	286	264	242	220
T_A (°C)	105	110	115	120	125	130	135	140	150
P_D (mW)	198	176	154	132	110	88	66	44	0



Performance Characteristics (SC59-3L)

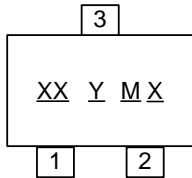
T_A (°C)	25	50	60	70	80	85	90	100	110	120	125	130	140	150
P_D (mW)	230	184	166	147	129	120	110	92	74	55	46	37	18	0



Marking Information

(1) SC59-3L

(Top View)



XX : J3: AH173

Y : Year 0~9

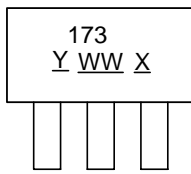
M : Month A~L

X : Internal code a~z: Lead Free
A~Z: Green

Part Number	Package	Identification Code
AH173	SC59-3L	J3

(2) SIP-3L

(Top View)



Y : Year: "1"=2001

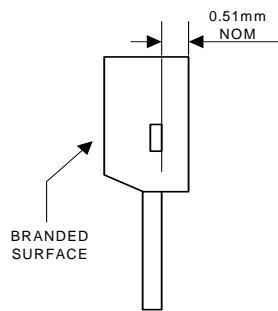
"2"=2002

WW: Nth Week 01~52

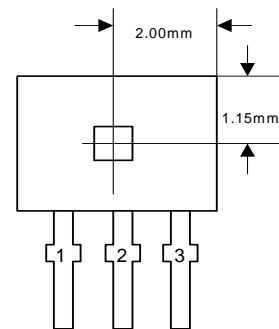
X : Internal code
a~z: Lead Free

Package Information

(1) Package Type: SIP-3L for Bulk pack



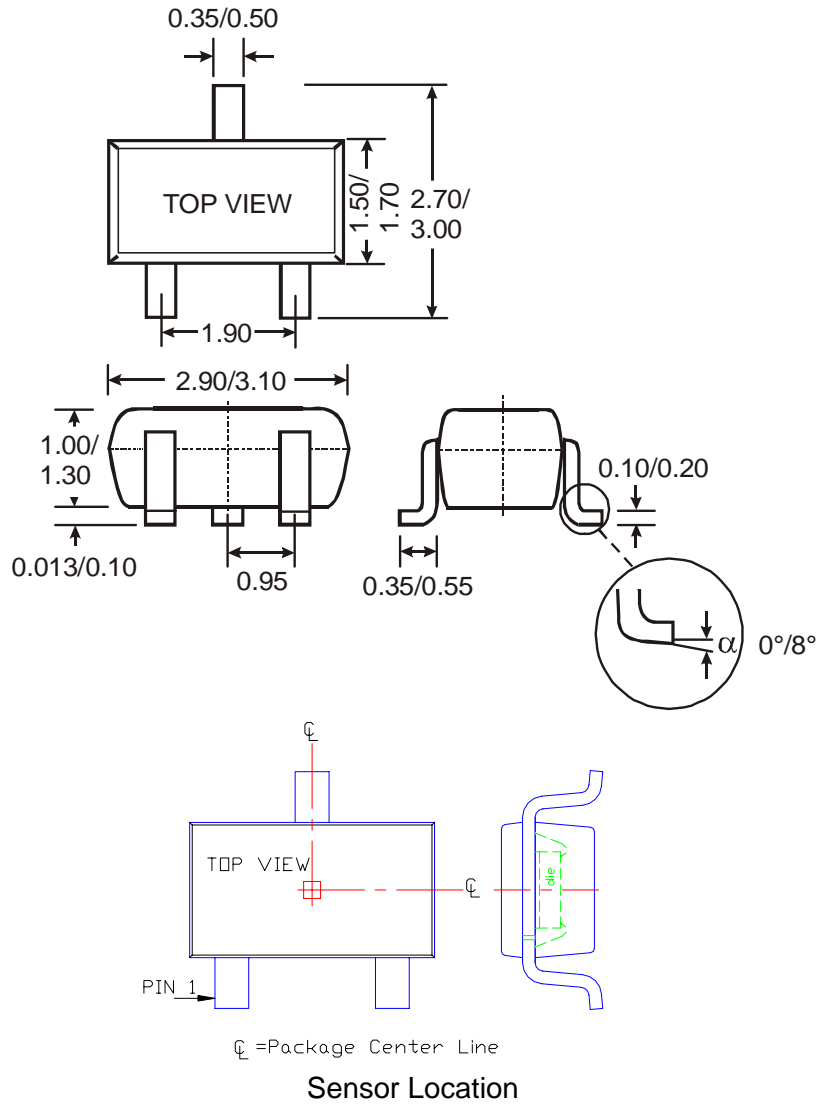
Active Area Depth



Sensor Location

Package Information (Continued)

(3) Package Type: SC59-3L



IMPORTANT NOTICE

Diodes Incorporated and its subsidiaries reserve the right to make modifications, enhancements, improvements, corrections or other changes without further notice to any product herein. Diodes Incorporated does not assume any liability arising out of the application or use of any product described herein; neither does it convey any license under its patent rights, nor the rights of others. The user of products in such applications shall assume all risks of such use and will agree to hold Diodes Incorporated and all the companies whose products are represented on our website, harmless against all damages.

LIFE SUPPORT

Diodes Incorporated products are not authorized for use as critical components in life support devices or systems without the expressed written approval of the President of Diodes Incorporated.