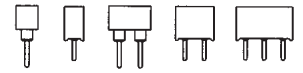


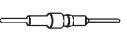


Receptacles, solder tail

Accept square pins $\square 0.635$ mm
and round pins $\varnothing 0.70-0.80$ mm

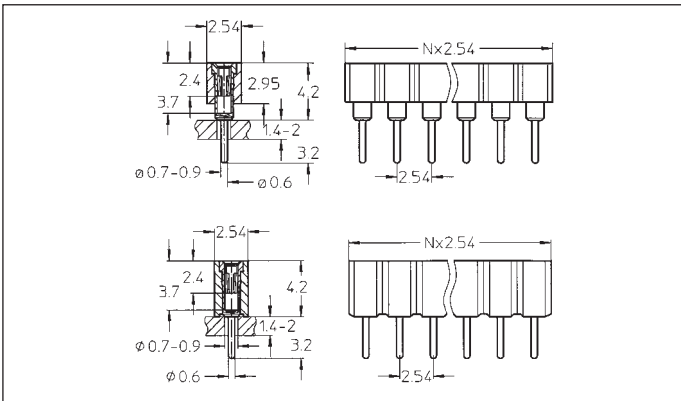


For corresponding pin connectors see
pages 30 to 35

Platings	Sleeve 	Clip 	Pin 
91	5 μ m Sn Pb	0.25 μ m Au	
93	5 μ m Sn Pb	0.75 μ m Au	
99	5 μ m Sn Pb	5 μ m Sn Pb	

Ordering information

Replace **xxx** with the number of poles, e.g. 803-91-**xxx**-10-012
for a double row version with 8 pins per row becomes:
803-91-**016**-10-012



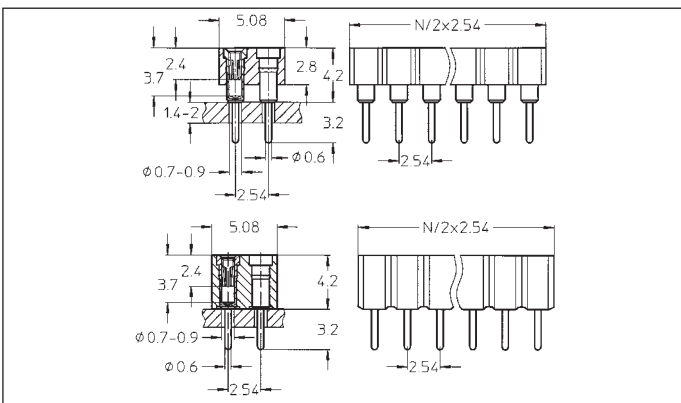
- 801-91-xxx-10-002 **B**
- 801-93-xxx-10-002 **B**
- 801-99-xxx-10-002 **B**

Straight receptacle: solder tail,
single row, low profile
h = 4.2 mm

...-002: Availability from: 1 to 64
contacts
Standard number of contacts 64

- 801-91-xxx-10-012
- 801-93-xxx-10-012
- 801-99-xxx-10-012

...-012: Availability from: 1 to 32
contacts
Standard number of contacts 14,
20 and 32



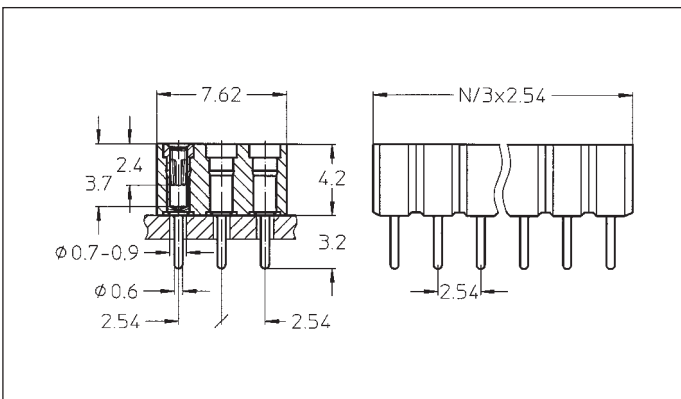
- 803-91-xxx-10-002 **B**
- 803-93-xxx-10-002 **B**
- 803-99-xxx-10-002 **B**

Straight receptacle: solder tail,
double row, low profile
h = 4.2 mm

...-002: Availability from: 4 to 72
contacts
Standard number of contacts 40,
44, 56, 64 and 72

- 803-91-xxx-10-012
- 803-93-xxx-10-012
- 803-99-xxx-10-012

...-012: Availability from: 4 to 64
contacts
Standard number of contacts 64



- 805-91-xxx-10-012
- 805-93-xxx-10-012
- 805-99-xxx-10-012

Straight receptacle: solder tail,
triple row, low profile
h = 4.2 mm

Availability from: 9 to 96 contacts
Standard number of contacts 96