

# NCN6010

## SIM Card Supply and Level Shifter

The NCN6010 is a level shifter analog circuit designed to translate the voltages between a SIM Card and an external microcontroller. A built-in DC/DC converter makes the NCN6010 useable to drive any type of SIM card. The device fulfills the GSM 11.11 specification. The external MPU has an access to a dedicated input STOP pin, providing a way to switch off the power applied to the SIM card in case of failure or when the card is removed.

### Features

- Supports 3.0 V or 5.0 V Operating SIM Card
- Built-in Pull Up Resistor for I/O Pin in Both Directions
- All Pins are Fully ESD Protected, According to GSM Specification
- Supports 10 MHz Clock
- 6.0 kV ESD Proof on SIM Card Pins

### Typical Applications

- Cellular Phone SIM Interface
- Identification Module

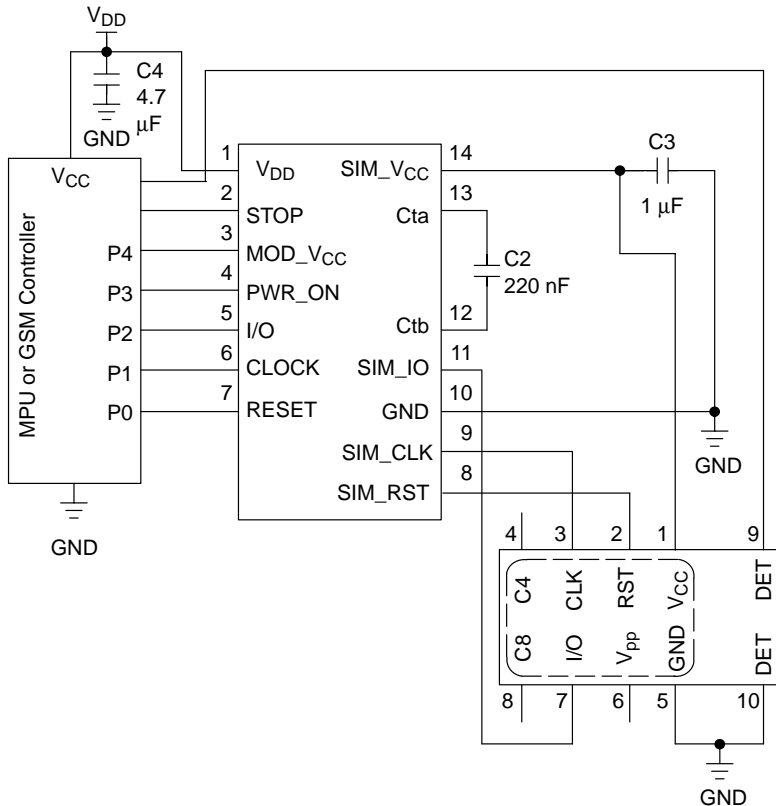


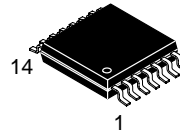
Figure 1. Typical Interface Application



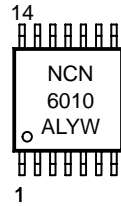
ON Semiconductor™

<http://onsemi.com>

### MARKING DIAGRAM

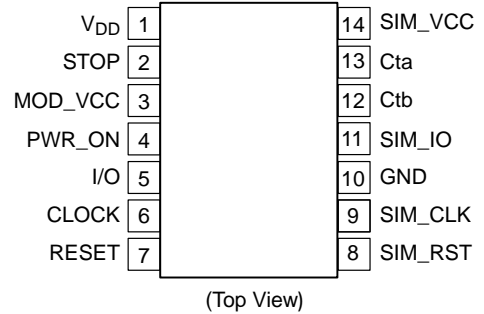


TSSOP-14  
CASE 948G



A = Assembly Location  
L = Wafer Lot  
Y = Year  
W = Work Week

### PIN CONNECTIONS



### ORDERING INFORMATION

| Device       | Package  | Shipping         |
|--------------|----------|------------------|
| NCN6010DTB   | TSSOP-14 | 96 Units/Rail    |
| NCN6010DTBR2 | TSSOP-14 | 2500 Tape & Reel |

# NCN6010

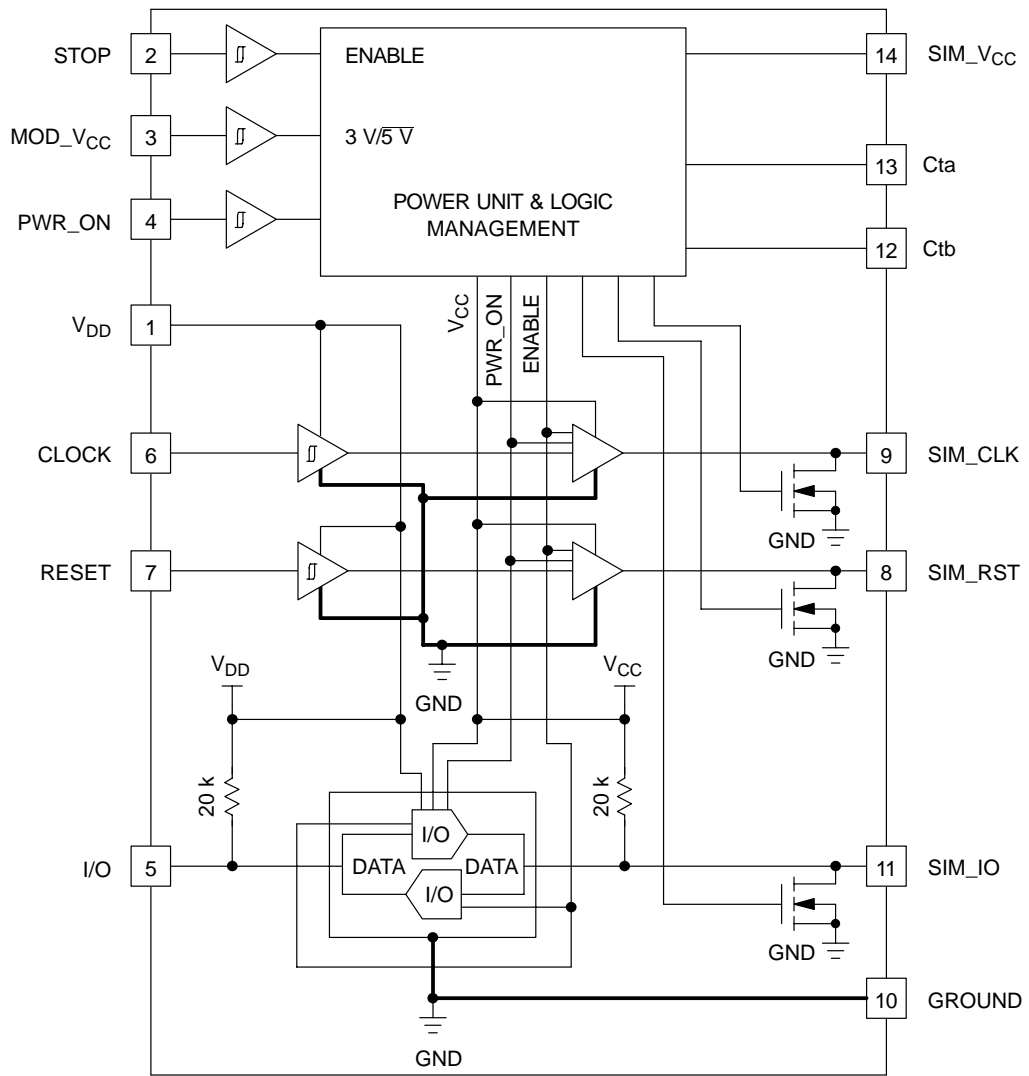


Figure 2. NCN6010 Block Diagram

# NCN6010

## PIN DESCRIPTIONS

| Pin | Name            | Type   | Description   |
|-----|-----------------|--------|---|
| 1   | V <sub>DD</sub> | POWER  | This pin is connected to the system controller power supply suitable to operate from a 3.6 V typical battery. A low ESR ceramic capacitor (4.7 $\mu$ F typical) shall be used to bypass the power supply voltage.   |
| 2   | STOP            | INPUT  | A Low level on this pin resets the SIM interface, switching off the SIM_VCC, according to the ISO7816-3 Power Down procedure (See Table 1 and Figure 3).  |
| 3   | MOD_VCC         | INPUT  | The signal present on this pin programs the SIM_VCC value (See Table 1):<br>MOD_VCC = L $\rightarrow$ SIM_VCC = 5.0 V<br>MOD_VCC = H $\rightarrow$ SIM_VCC = 3.0 V  |
| 4   | PWR_ON          | INPUT  | The signal present on this pin controls the SIM_VCC state (See Table 1):<br>PWR_ON = L $\rightarrow$ SIM_VCC = Open, no supply connected to the SIM card.<br>PWR_ON = H $\rightarrow$ SIM_VCC = Active, the card is powered.  |
| 5   | I/O             | INPUT  | This pin is connected to an external microcontroller or GSM management unit. A bi-directional level translator adapts the serial I/O signal between the smart card and the external controller. A built-in constant 20 k $\Omega$ (typical) resistor provides a high impedance state when not activated.  |
| 6   | CLOCK           | INPUT  | The clock signal, coming from the external controller, must have a Duty Cycle within the Min/Max values defined by the specification (typically 50%). The built-in level shifter translates the input signal to the external SIM card CLK input.  |
| 7   | RESET           | INPUT  | The RESET signal present at this pin is connected to the SIM card. The internal level shifter translates the level according to the voltages present at pin 1 and the SIM_VCC programmed value.   |
| 8   | SIM_RST         | OUTPUT | This pin is connected to the RESET pin of the card connector. A level translator adapts the external RESET signal to the SIM card. A built-in active pull down connects this pin to ground when the device is in a nonoperating mode.   |
| 9   | SIM_CLK         | OUTPUT | This pin is connected to the CLK pin of the card connector. The CLOCK signal comes from the external clock generator, the internal level shifter being used to adapt the voltage defined for the SIM_VCC. A built-in active pull down connects this pin to ground when the device is in a nonoperating mode.  |
| 10  | GND             | GROUND | This pin is the GROUND reference for the integrated circuit and associated signals. Cares must be observed to avoid voltage spikes when the device operates in a normal operation.  |
| 11  | SIM_I/O         |        | This pin handles the connection to the serial I/O of the card connector. A bi-directional level translator adapts the serial I/O signal between the card and the microcontroller. A 20 k $\Omega$ (typical) pull up resistor provides a High impedance state for the SIM card I/O link.   |
| 12  | Cta             | POWER  | This pin is connected to the external capacitor used by the internal Charge Pump converter. Using Low ESR ceramic type is recommended (X5R or X7R).   |
| 13  | Ctb             | POWER  | This pin is connected to the external capacitor used by the internal Charge Pump converter. Using Low ESR ceramic type is recommended (X5R or X7R).   |
| 14  | SIM_VCC         | POWER  | This pin is connected to the SIM card power supply pin. An internal Charge Pump converter is programmable by the external MPU to supply either 3.0 V or 5.0 V output voltage. An external 1.0 $\mu$ F minimum ceramic capacitor (ESR < 100 m $\Omega$ , X5R or X7R recommended) must be connected across SIM_VCC and GND.<br><br>During a normal operation, the SIM_VCC voltage can be set to 3.0 V followed by a 5.0 V value, or can start directly to any of these two values. When the voltage is adjusted downward (from 5.0 V to 3.0 V) cares must be observed as reverse peak current can flow from the external capacitors to the battery during a short amount of time (in the 1.0 $\mu$ s range). When such a voltage adjustment is necessary, it is recommended to force SIM_VCC to zero, wait 350 $\mu$ s minimum, then reprogram the chip to get SIM_VCC = 3.0 V. |

# NCN6010

## MAXIMUM RATINGS (Note 1.)

| Rating  | Symbol              | Value                             | Unit                            |
|---|---------------------|-----------------------------------|---------------------------------|
| Power Supply  | $V_{DD}$            | 7.0                               | V                               |
| External Card Power Supply and Level Shifter  | SIM_VCC             | 7.0                               | V                               |
| Digital Input Voltage<br>Digital Input Current  | STOP                | $-0.3 \leq V \leq V_{DD}$<br>1.0  | V<br>mA                         |
| Digital Input Voltage<br>Digital Input Current  | RESET               | $-0.3 \leq V \leq V_{DD}$<br>1.0  | V<br>mA                         |
| Digital Input Voltage<br>Digital Input Current  | CLOCK               | $-0.3 \leq V \leq V_{DD}$<br>1.0  | V<br>mA                         |
| Digital Input Voltage<br>Digital Input Current  | I/O                 | $-0.3 \leq V \leq V_{DD}$<br>1.0  | V<br>mA                         |
| Digital Output Voltage<br>Digital Output Current  | SIM_RST             | $-0.3 \leq V \leq SIM\_VCC$<br>25 | V<br>mA                         |
| Digital Input/Output Voltage<br>Digital Input/Output Current  | SIM_I/O             | $-0.3 \leq V \leq SIM\_VCC$<br>25 | V<br>mA                         |
| Digital Output Voltage<br>Digital Output Current  | SIM_CLK             | $-0.3 \leq V \leq SIM\_VCC$<br>50 | V<br>mA                         |
| Human Body Model: R = 1500 $\Omega$ , C = 100 pF<br>SIM card side, pins 8, 9, 11 & 14<br>All other pins | ESD                 | 6.0<br>2.0                        | kV<br>kV                        |
| TSSOP-14 Package<br>Power Dissipation @ $T_A = +85^\circ\text{C}$<br>Thermal Resistance Junction to Air | $P_D$<br>$R_{THja}$ | 275<br>145                        | mW<br>$^\circ\text{C}/\text{W}$ |
| Operating Ambient Temperature Range   | $T_A$               | -25 to +85                        | $^\circ\text{C}$                |
| Operating Junction Temperature Range  | $T_J$               | -25 to +125                       | $^\circ\text{C}$                |
| Maximum Junction Temperature  | $T_{Jmax}$          | +150                              | $^\circ\text{C}$                |
| Storage Temperature Range   | $T_{stg}$           | -65 to +150                       | $^\circ\text{C}$                |

1. Maximum electrical ratings are defined as those values beyond which damage to the device may occur at  $T_A = +25^\circ\text{C}$ .

# NCN6010

## POWER SUPPLY SECTION (–25°C to +85°C)

| Rating   | Symbol       | Pin | Min                     | Typ                   | Max              | Unit    |
|--|--------------|-----|-------------------------|-----------------------|------------------|---------|
| Power Supply   | $V_{DD}$     | 1   | 2.7                     | –                     | 3.6              | V       |
| Standby Supply Current @ No Input Clock, All Input Logic to H, No Load Connected to the SIM Interface.   | $I_{V_{DD}}$ | 1   | –                       | 500                   | –                | nA      |
| Ground Current, @ $V_{DD} = 3.0$ V, Operating Conditions:<br>PWR_ON = 0<br>SIM_VCC = 5.0 V, $I_{CC} = 0$ mA<br>SIM_VCC = 5.0 V, $I_{CC} = 10$ mA (Note 2.)<br>SIM_VCC = 3.0 V, $I_{CC} = 0$ mA<br>SIM_VCC = 3.0 V, $I_{CC} = 6.0$ mA (Note 2.) | $I_{V_{DD}}$ | 1   | –                       | 200<br>40             | 5.0<br>125<br>25 | $\mu$ A |
| External Card Power Supply at 5.0 V<br>@ $2.7$ V $\leq V_{DD} \leq 3.6$ V, $I_{CC} = 10$ mA<br>External Card Power Supply at 3.0 V<br>@ $2.7$ V $\leq V_{DD} \leq 3.6$ V, $I_{CC} = 10$ mA   | SIM_VCC      | 14  | 4.5<br>$V_{DD} - 50$ mV | –<br>$V_{DD} - 25$ mV | 5.5<br>$V_{DD}$  | V       |
| Output SIM Card Supply Voltage Turn On Time<br>$C_t = 220$ nF, $C_{out1} = 1.0$ $\mu$ F $\pm 20\%$<br>$V_{DD} = 3.0$ V, SIM_VCC = 5.0 V<br>$V_{DD} = 3.0$ V, SIM_VCC = 3.0 V   | VCC_TON      | 14  | –                       | 0.5                   | 1.0              | ms      |
| Output SIM Card Supply Voltage Turn Off Time<br>$C_t = 220$ nF, $C_{out1} = 1.0$ $\mu$ F $\pm 20\%$ (Note 3.)<br>$V_{DD} = 2.7$ V, SIM_VCC = 5.0 V, @ $V_{LOW} = 0.4$ V<br>$V_{DD} = 2.7$ V, SIM_VCC = 3.0 V, @ $V_{LOW} = 0.4$ V              | VCC_TOFF     | 14  | –                       | –                     | 300<br>300       | $\mu$ s |
| Output Voltage Ripple (Note 4.)<br>$C_t = 220$ nF, $C_{out1} = 1.0$ $\mu$ F, $C_{out2} = 100$ nF<br>$V_{DD} = 3.0$ V, SIM_VCC = 5.0 V, $I_{CC} = 10$ mA<br>(Not Relevant at SIM_VCC = 3.0 V)   | VCC_RIP      | 14  | –                       | –                     | 200              | mV      |
| Input Peak Current During DC/DC Startup<br>@ $V_{DD} = 3.0$ V, SIM_VCC = 5.0 V   | $I_{DDpk}$   | 1   | –                       | 300                   | –                | mA      |
| Input Average Current During Normal Operation,<br>@ $V_{DD} = 3.0$ V, SIM_VCC = 5.0 V  | $I_{DDavg}$  | 1   | –                       | 20                    | –                | mA      |
| DC/DC Internal Oscillator  | Fosc         | –   | –                       | 800                   | –                | kHz     |

- The  $I_{DD}$  current represents the absolute difference between the current absorbed by the load and the one absorbed by the chip.
- A 350  $\mu$ s delay must be observed by the external MPU prior to reactivate the SIM\_VCC output.
- Using low ESR capacitors type (max 100 m $\Omega$ ) is mandatory for  $C_t$ ,  $C_{out1}$  and  $C_{out2}$  to reach the NCN6010 specifications. Ceramic type (X5R or X7R) are recommended.

## DIGITAL INPUT SECTION CLOCK, RESET, I/O, STOP, MOD\_VCC, PWR\_ON

| Rating                               | Symbol   | Pin  | Min            | Typ | Max                        | Unit    |
|--------------------------------------|----------|------|----------------|-----|----------------------------|---------|
| High Level Input Voltage             | $V_{IH}$ | 2, 3 | $0.7 * V_{DD}$ | –   | $V_{DD}$<br>$0.3 * V_{DD}$ | V       |
| Low Level Input Voltage              | $V_{IL}$ | 4, 5 |                |     |                            | V       |
| Input Rise Time                      | $t_r$    | 6, 7 |                |     |                            | ns      |
| Input Fall Time                      | $t_f$    |      |                |     |                            | ns      |
| Input Capacitance                    | $C_{in}$ |      |                |     |                            | pF      |
| Input @ 45% < Duty Cycle < 55%       | CLOCK    | 6    | –              | –   | 5.0                        | MHz     |
| Clock Rise Time                      |          |      |                |     | 50                         | ns      |
| Clock Fall Time                      |          |      |                |     | 50                         | ns      |
| Input Clock Capacitance              |          |      |                |     | 10                         | pF      |
| Input/Output Data Transfer Frequency | I/O      | 5    | –              | 15  | 160                        | kHz     |
| I/O Rise Time                        |          |      |                |     | 0.8                        | $\mu$ s |
| I/O Fall Time                        |          |      |                |     | 0.8                        | $\mu$ s |
| Input I/O Capacitance                |          |      |                |     | 10                         | pF      |

# NCN6010

## SIM INTERFACE SECTION (Note 7.)

| Rating   | Symbol                        | Pin | Min  | Typ  | Max  | Unit   |
|--|-------------------------------|-----|--|--|--|--|
| SIM_VCC = +5.0 V<br>Output RESET V <sub>OH</sub> @ I <sub>sim_rst</sub> = +200 μA<br>Output RESET V <sub>OL</sub> @ I <sub>sim_rst</sub> = -200 μA<br>Output RESET Rise Time @ Cout = 50 pF<br>Output RESET Fall Time @ Cout = 50 pF<br><br>SIM_VCC = +3.0 V<br>Output RESET V <sub>OH</sub> @ I <sub>sim_rst</sub> = +200 μA<br>Output RESET V <sub>OL</sub> @ I <sub>sim_rst</sub> = -200 μA<br>Output RESET Rise Time @ Cout = 50 pF<br>Output RESET Fall Time @ Cout = 50 pF   | SIM_RST<br>Note 5.            | 8   | SIM_VCC - 0.7<br>0<br><br>0.8 * SIM_VCC<br>0                     | -  | SIM_VCC<br>0.6<br>400<br>400<br><br>SIM_VCC<br>0.2 * SIM_VCC<br>400<br>400                       | V<br>V<br>ns<br>ns<br><br>V<br>V<br>ns<br>ns                         |
| SIM_VCC = +5.0 V<br>Output Duty Cycle<br>Output Frequency<br>Output SIM_CLK Rise Time @ Cout = 50 pF<br>Output SIM_CLK Fall Time @ Cout = 50 pF<br>Output V <sub>OH</sub> @ I <sub>sim_clk</sub> = +20 μA<br>Output V <sub>OL</sub> @ I <sub>sim_clk</sub> = -200 μA<br><br>SIM_VCC = +3.0 V<br>Output Duty Cycle<br>Output Frequency<br>Output SIM_CLK Rise Time @ Cout = 50 pF<br>Output SIM_CLK Fall Time @ Cout = 50 pF<br>Output V <sub>OH</sub> @ I <sub>sim_clk</sub> = +20 μA<br>Output V <sub>OL</sub> @ I <sub>sim_clk</sub> = -20 μA  | SIM_CLK<br>Note 5.<br>Note 6. | 9   | 40<br><br>0.7 * SIM_VCC<br>0<br><br>40<br><br>0.7 * SIM_VCC<br>0 | -  | 60<br>5.0<br>18<br>18<br>SIM_VCC<br>0.5<br><br>60<br>5.0<br>18<br>18<br>SIM_VCC<br>0.2 * SIM_VCC | %<br>MHz<br>ns<br>ns<br>V<br>V<br><br>%<br>MHz<br>ns<br>ns<br>V<br>V |
| SIM_VCC = +5.0 V<br>SIM_I/O Data Transfer Frequency<br>SIM_I/O Rise Time @ Cout = 50 pF<br>SIM_I/O Fall Time @ Cout = 50 pF<br>Output V <sub>OH</sub> @ I <sub>SIM_IO</sub> = +20 μA, V <sub>IH</sub> = V <sub>DD</sub><br>Output V <sub>OL</sub> @ I <sub>SIM_IO</sub> = -1.0 mA,<br>V <sub>IL</sub> I/O = 0 V<br><br>SIM_VCC = +3.0 V<br>SIM_I/O Data Transfer Frequency<br>SIM_I/O Rise Time @ Cout = 50 pF<br>SIM_I/O Fall Time @ Cout = 50 pF<br>Output V <sub>OH</sub> @ I <sub>SIM_IO</sub> = +20 μA, V <sub>IH</sub> = V <sub>DD</sub><br>Output V <sub>OL</sub> @ I <sub>SIM_IO</sub> = -1.0 mA,<br>V <sub>IL</sub> I/O = 0 V | SIM_I/O                       | 11  | 0.7 * SIM_VCC<br>0<br><br>0.7 * SIM_VCC<br>0                     | 15<br><br><br><br><br><br><br><br><br><br>15 | 160<br>0.8<br>0.8<br>SIM_VCC<br>0.4<br><br>160<br>0.8<br>0.8<br>SIM_VCC<br>0.4                   | kHz<br>μs<br>μs<br>V<br>V<br><br>kHz<br>μs<br>μs<br>V<br>V           |
| I/O Pull Up Resistor   | I/O_RP                        | 5   | 13   | 20   | -  | kΩ   |
| Card I/O Pull Up Resistor  | SIM_I/O_RP                    | 11  | 13   | 20   | -  | kΩ   |

5. Internal NMOS device, biased to V<sub>DD</sub>, provides low impedance when SIM\_VCC is disconnected to sustain GSM 11.11-200 μA input current test.
6. The SIM\_CLK clock can operate up to 10 MHz, but the rise and fall time are not guaranteed to be fully within the ISO7816 specification over the temperature range. Typically, tr and tf are 12 ns @ CRD\_CLK = 10 MHz.
7. Digital inputs undershoot < -0.30 V, Digital inputs overshoot < 0.30 V.

### Card Supply Charge Pump Converter

The NCN6010 device provides three pins to control the operation of the interface as depicted in Table 1. The built-in charge pump converter circuit provides either a 3.0 V or a 5.0 V output voltage as defined by the programming mode. The external capacitor connected across pins 12 and 13 is used to generate the step up voltage. Since the device operates at 800 kHz typically, one must use high quality, Low ESR type, ceramic capacitor (220 nF recommended). The second external capacitor, connected across pin 14 and GND, smooths the output voltage coming from the Charge Pump. A high quality, Low ESR capacitor is necessary to achieve the SIM\_VCC ripple voltage (1.0 μF Ceramic type is recommended).

The setting of the SIM\_VCC voltage, using MOD\_VCC = 0 or 1, can only be made when PWR\_ON is Low. Consequently, a new supply voltage adjustment is performed by first deactivating the SIM card, followed by reactivating it with the new supply voltage. The SIM\_VCC voltage can be reprogrammed straightforward when the output voltage increases from 3.0 V to 5.0 V. On the other

hand, although it is possible to change the SIM\_VCC voltage from 5.0 V to 3.0 V, it is recommended to switch off the Charge Pump prior to reprogram the SIM\_VCC voltage from the high 5.0 V to a low 3.0 V.

The DC/DC converter operates under two modes as defined by the logic level present at MOD\_VCC/pin 3:

MOD\_VCC = 0 SIM\_CC = 5.0 V, ± 10%. This is the default condition at start up.

MOD\_VCC = 1 The Charge Pump is not activated and the SIM\_VCC voltage is equal to the V<sub>DD</sub> supply minus the internal maximum 50 mV drop.

The NCN6010 provides a POWER DOWN sequence, according to the ISO7816–3 specification.

Since a built-in active pull down MOS pull the SIM\_VCC pin to ground when the smart card is deactivated, a 350 μs minimum delay must be observed prior to reactivate the power supply. This timing assumes a 1.0 μF external reservoir capacitor connected across SIM\_VCC and Ground.

**Table 1. Programming Functions**

| STOP | MOD_VCC | PWR_ON | Operation Mode  |
|------|---------|--------|---|
| 0    | X       | X      | The SIM card supply is disabled, the SIM_VCC pin is Open, SIM_RST = L, SIM_I/O = L, SIM_CLK = L   |
| 1    | 0       | 0      | The NCN6010 is in the power down mode. The SIM card supply is disabled, SIM_VCC = Open, SIM_RST = L, SIM_CLK = L, SIM_IO = L. The SIM_VCC voltage is programmed to 5.0 V. |
| 1    | 1       | 0      | The NCN6010 is in the power down mode. The SIM card supply is disabled, SIM_VCC = Open, SIM_RST = L, SIM_CLK = L, SIM_IO = L. The SIM_VCC voltage is programmed to 3.0 V. |
| 1    | X       | 1      | The NCN6010 is in normal operating mode. The SIM card supply is enabled, SIM_VCC voltage is the one previously programmed, all the SIM interface pins are active.         |

#### Table 1: Programming Mode

When the card is removed, the STOP pin shall be asserted Low to disable the NCN6010. A mechanical switch, or equivalent, can be either sensed by the MPU, or directly connected to pin 2, to handle the procedure.

#### Power Up Sequence

When the charge pump is activated, MOD\_VCC = Low, the SIM card related level shifter pins are biased to the 5.0 V

voltage. When the output voltage starts from zero, as depicted in Figure 3, a 50 μs stabilization delay (typical) is necessary to make sure all the output signals are biased at the nominal 5.0 V voltage. To avoid a card transaction error, the user must take this delay into account and program the chip accordingly.

# NCN6010

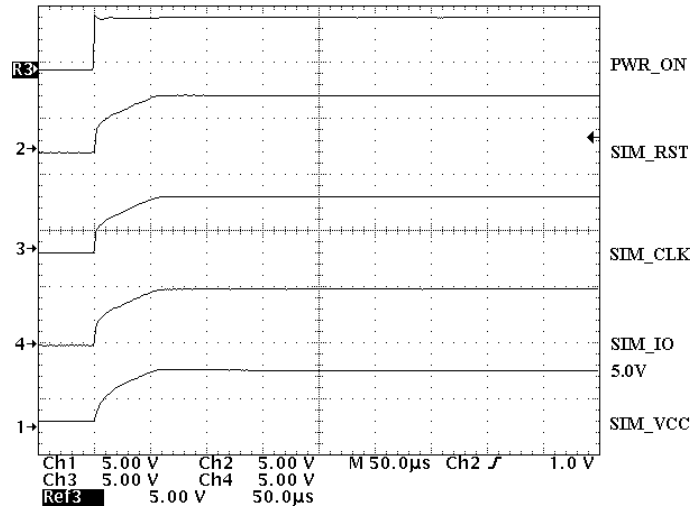


Figure 3. Power On Sequence

## Power Down Operation

The power down mode can be initiated by either the PWR\_ON or by the STOP pin condition. In both cases, the communication I/O session is terminated immediately, according to the ISO7816-3 sequence as depicted in Figure 4. When the PWR\_ON signal is set Low, the NCN6010 goes to the power down mode. According to the ISO7816-3 procedure defined to deactivate the SIM contacts, the input pins I/O, CLOCK and RESET must be Low before the PWR\_ON is taken Low. When the

PWR\_ON is Low, the SIM\_IO, SIM\_CLK and SIM\_RST pins are forced to Low and the SIM\_VCC pin is left floating.

When the STOP signal is Low, the SIM\_IO, SIM\_CLK and SIM\_RST are forced Low, the SIM\_VCC being left floating, until the STOP pin is taken High again.

When the card is extracted, the external MPU shall detect the operation and run the Power Down of the card by forcing PWR\_ON input to Low. The NCN6010 fulfills the power sequence as defined by the ISO/CEI 7816-3 norm (see oscillogram given in Figure 5).

- Force SIM\_RST to Low
- Force SIM\_CLK to Low, unless it is already in this state
- Force SIM\_IO to Low
- Shut Off the SIM\_VCC supply

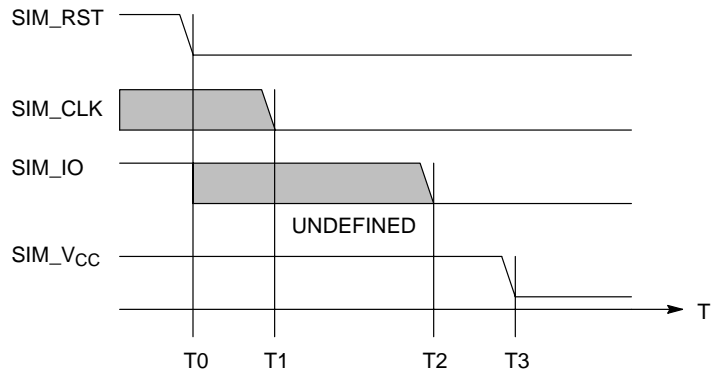


Figure 4. ISO7816-3 Power Down Sequence



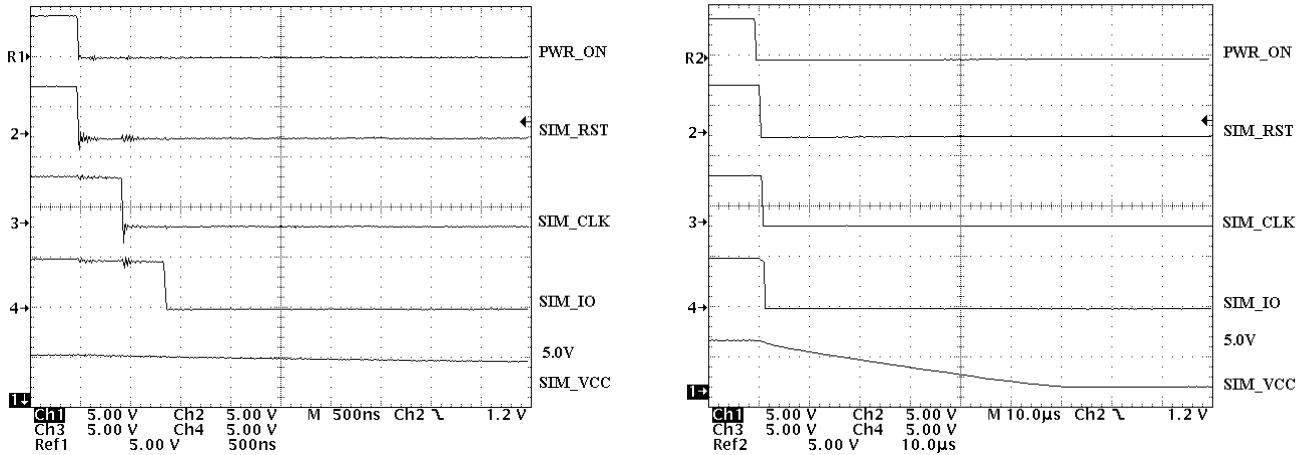


Figure 5. Power Down Sequence Oscilloscope

**Level Shifters**

When the SIM card voltage is either higher or lower than the MPU  $V_{DD}$  supply, the level shifters can be reprogrammed to cope with the expected output voltage. When the MPU and the SIM card operate under the same supply voltage, the DC/DC converter is not activated ( $SIM\_VCC = V_{DD} - 50\text{ mV}$ ) and the signals go directly through the level shifters.

The bi-directional I/O line provides a way to automatically adapt the voltage difference between the  $\mu$ CU and the SIM card. In addition with the pull up resistor, an active pull up circuit (Figure 6 Q1 and Q2) provides a fast charge of the stray capacitance, yielding a rise time fully within the ISO/EMV specifications.

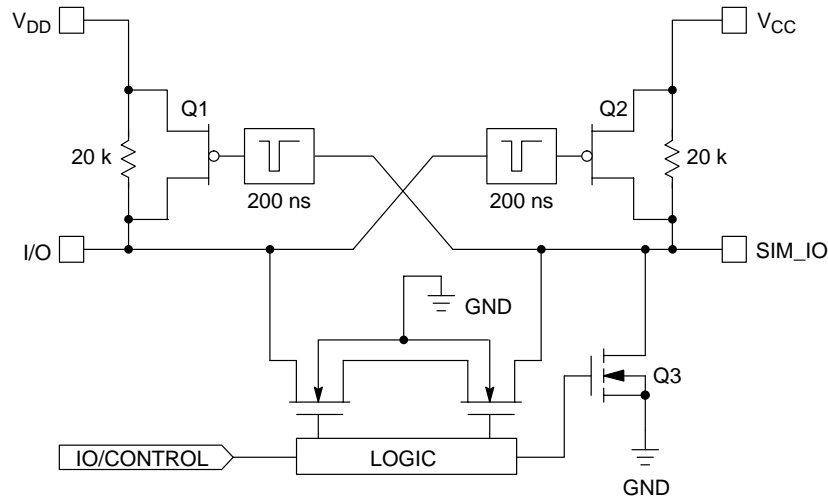


Figure 6. Basic I/O Line Interface

The typical waveform provided in Figure 7 shows how the accelerator operates. During the first 200 ns (typical), the slope of the rise time is solely a function of the pull up resistor associated with the stray capacitance. During this period, the PMOS devices are not activated since the input voltage is below their  $V_{gs}$  threshold. When the input slope

crosses the  $V_{gsth}$ , the opposite one shot is activated, providing a low impedance to charge the capacitance, thus increasing the rise time as depicted in Figure 7. The same mechanism applies for the opposite side of the line to make sure the system is optimum.

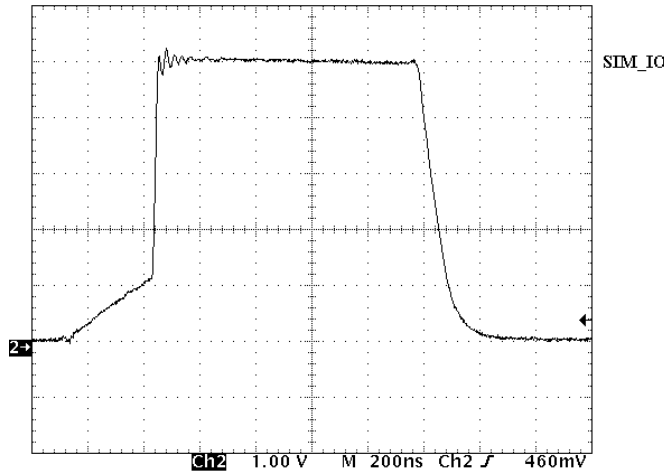


Figure 7. SIM\_IO Rise and Fall Time Oscilloscope

**Input Schmitt Triggers**

All the Logic Input pins have built-in Schmitt trigger circuits to prevent the NCN6010 against uncontrolled operation. The typical dynamic characteristics of the related pins are depicted in Figure 8.

The output signal is guaranteed to go High when the input voltage is above  $0.70 \cdot V_{bat}$ , and will go Low when the input voltage is below  $0.30 \cdot V_{bat}$ .

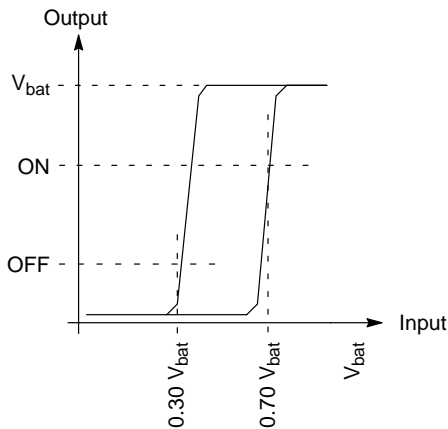


Figure 8. Typical Schmitt Trigger Characteristic

**Charge Pump Converter**

The converter uses a switched capacitor technique to increase the SIM\_VCC voltage up to 5.0 V from a 3.3 V typical battery. The concept, depicted in Figure 9, charges the transfer capacitor C1 up to the Vcc value, then connects

this capacitor in series with the input voltage-output reservoir network. The voltage developed across the load is, theoretically, twice the battery voltage, but the system must take into account the losses associated with the power switches and the internal ohmic drops.

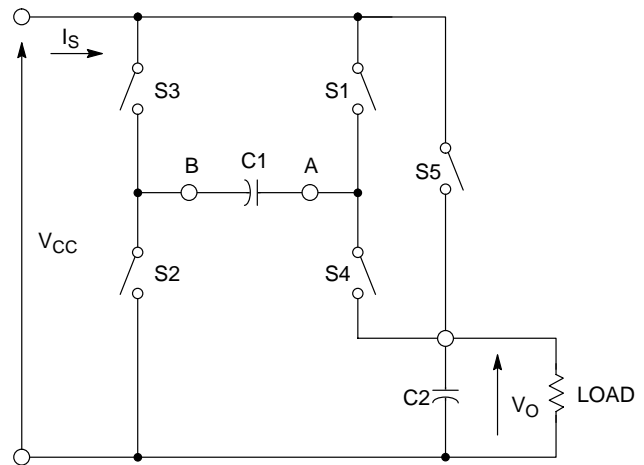
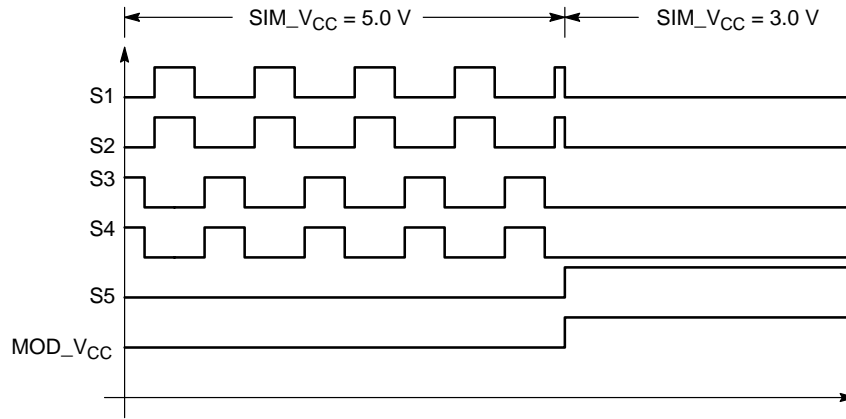


Figure 9. Basic Charge Pump Converter

When the output voltage is programmed to 3.0 V, the clocks are inactive and the load is directly connected to the battery by means of switch S5. The SIM\_VCC voltage follows the input value, minus the drop coming from the internal resistance. The current is limited by the Ron of the power device S5 and the output voltage will decrease as the load current increases above 20 mA (typical). Figure 10 illustrates the theoretical waveforms.

# NCN6010



**Figure 10. Basic Charge Pump Operating Timings**

When the NCN6010 is programmed in the 5.0 V output voltage, the clocks are activated, switch S5 is disconnected and the output voltage is the result of the C1 charge transfer into the output load. The current is limited by three main parameters:

- the Ron of the switching MOS (S1 through S4)
- the operating frequency
- the C1/C2 ratio and their ESR

The first parameters are depending upon the internal structure and size of the NMOS/PMOS devices used to

design the chip. The third parameter is adjustable by the user and, beside the micro farad values, the type of capacitors plays a significant role. As a matter of fact, using a low cost electrolytic model will ruin the efficiency due to the high ESR of such a capacitor. It is highly recommended to use ceramic types, preferably from the X5R or X7R series, to achieve the efficiency and the SIM\_VCC output voltage ripple. Table 2 summarizes the characteristics of the most common type of capacitors.

**Table 2. Comparison of Capacitor Types**

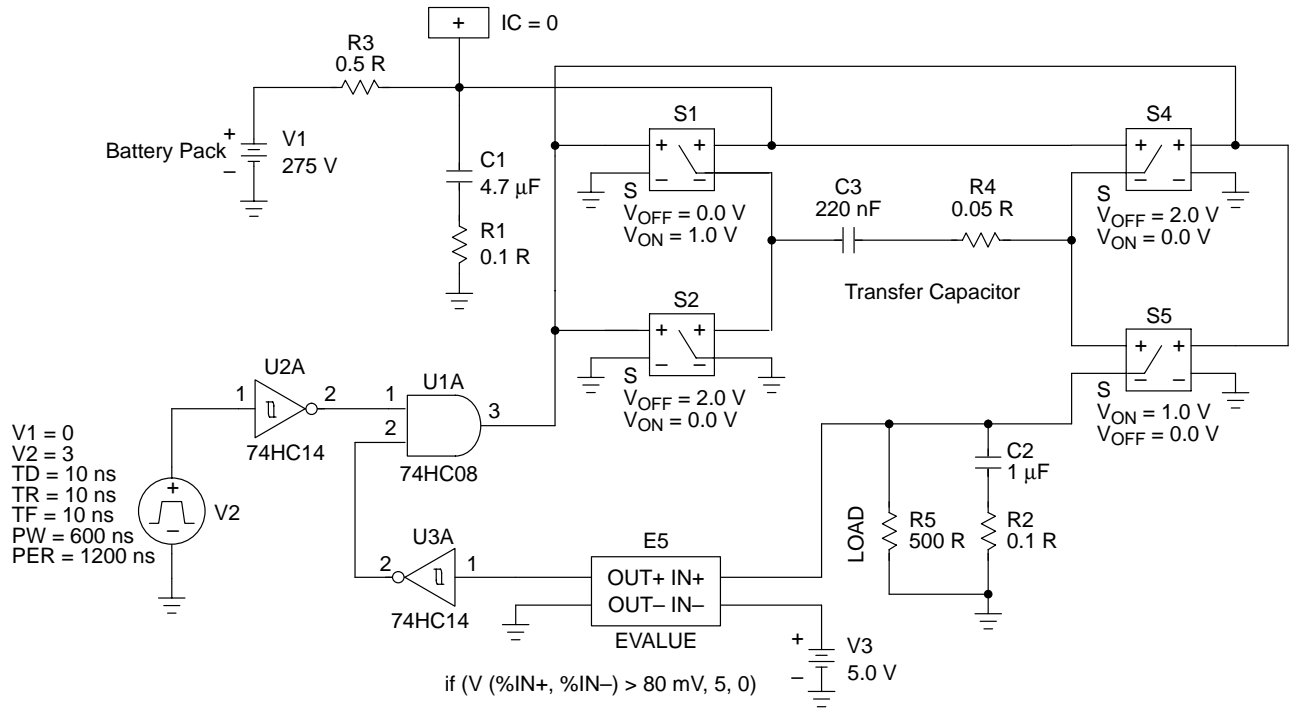
| Manufacturers | Type/Serie         | Format | Max Value        | Tolerance | Typ. Z @ 500 kHz |
|---------------|--------------------|--------|------------------|-----------|------------------|
| MURATA        | CERAMIC/GRM225     | 0805   | 10 $\mu$ F/6.3 V | +80%/-20% | 30 m $\Omega$    |
| VISHAY        | Tantalum/594C/593C | 1206   | 10 $\mu$ F/16 V  | -         | 450 m $\Omega$   |
| VISHAY        | Electrolytic/94SV  | 1206   | 10 $\mu$ F/10 V  | -20%/+20% | 400 m $\Omega$   |

## NCN6010

It is clear that, with nearly half an ohm of resistance in series with the pure capacitor, the tantalum or the electrolytic type will generate high voltage spikes and poor regulation in the high frequency operating charge pump built into the NCN6010. Moreover, with ESR in the 3.0 Ohm range, low cost capacitors are not suitable for this application.

Figure 11 provides the schematic diagram of the simulated charge pump circuit. Although this schematic does not

represent the accurate internal structure of the NCN6010, it can be used for engineering purpose. The ABM devices S1, S2, S4 and S5 have been defined in the PSPICE model to represent the NMOS and PMOS used in the silicon. The ESR value of C2 and C3 can be adjusted, at PSPICE level, to cope with any type of external capacitors and are useful to double check the behavior of the system as a function of the external passives components.



**Figure 11. Charge Pump Simulation Schematic Diagram**

# NCN6010

The operating waveforms are given in Figure 12 to illustrate the high peak current flowing in the transfer

capacitor. The real ripple voltage, coming from the engineering board, is given in Figure 13.

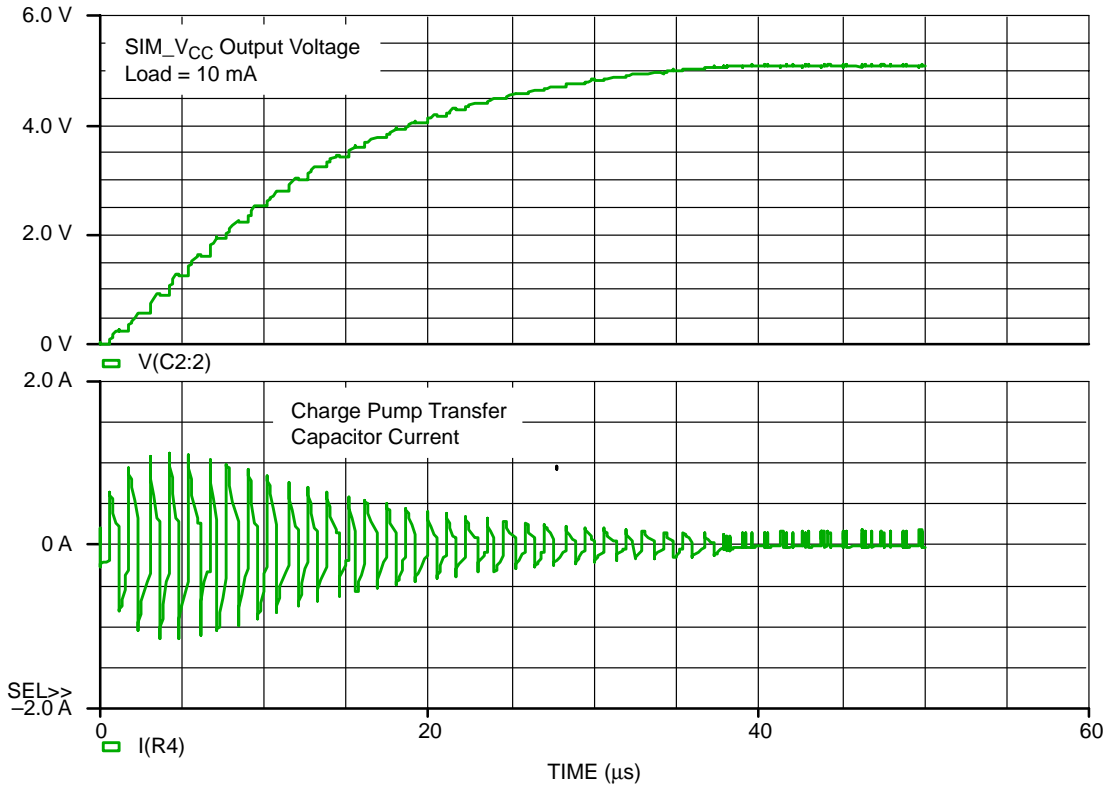


Figure 12. Simulated Charge Pump Typical Waveforms

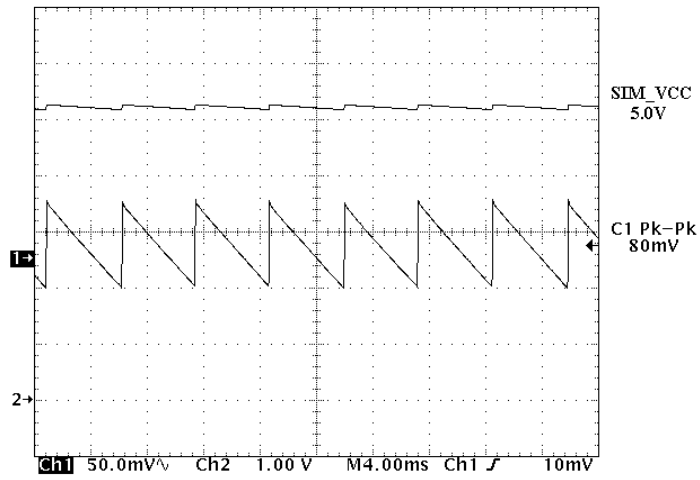


Figure 13. SIM\_V<sub>CC</sub> Output Voltage Ripple @ I<sub>out</sub> = 10 mA

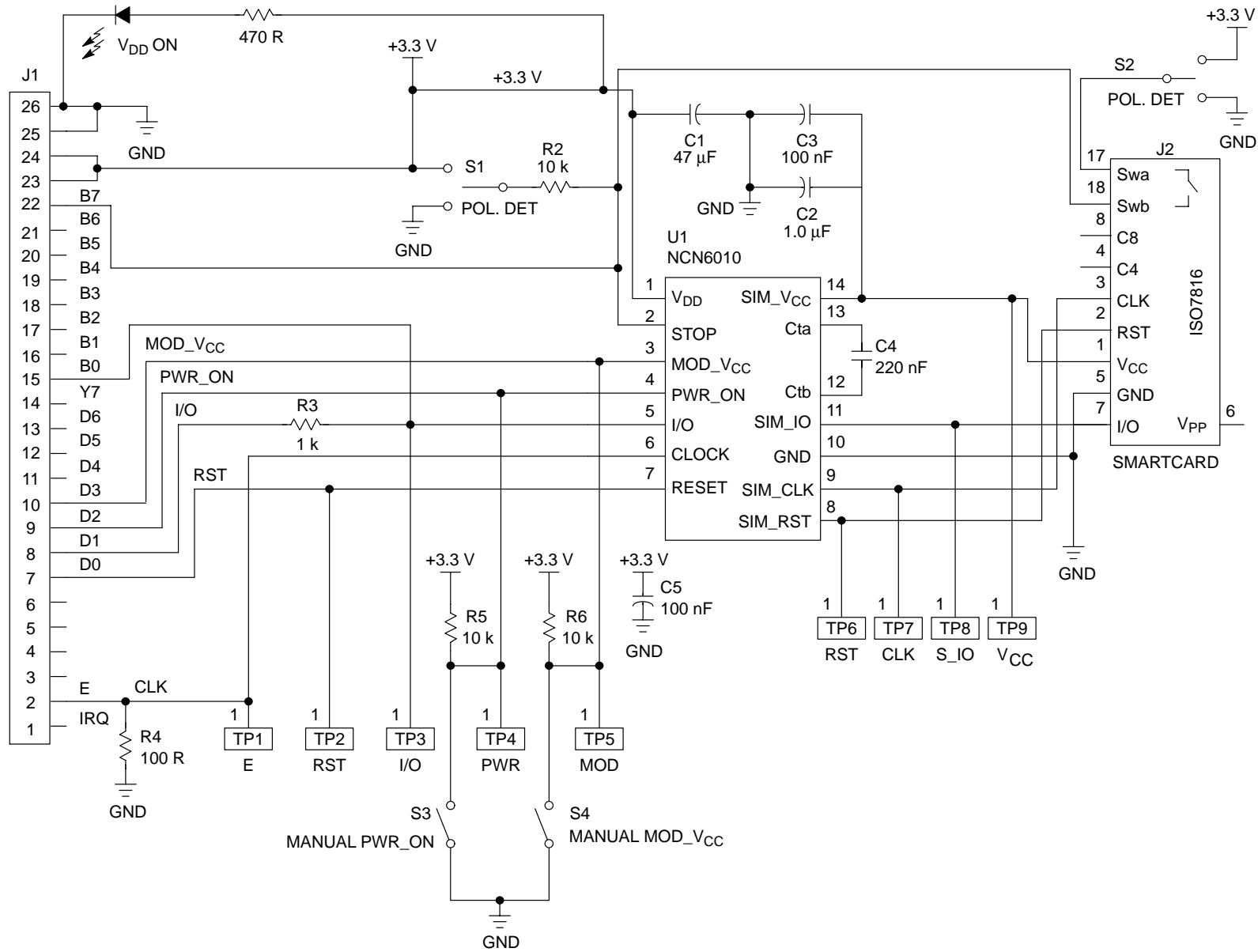


Figure 14. Engineering Test Board

# NCN6010

The layout of the PCB is a key parameter to avoid the voltage spikes that could pollute the rest of the system. Figure 16 represents a typical printed circuit lay out, based on the schematic diagram given in Figure 14, highlighting the large ground plane used in this engineering tool.

Obviously, a GSM application will use much less area, but cares must be observed to locate the capacitors as close as possible to the integrated circuit associated pins.

Capacitors C1, C2, C3, C4 and C5 are ceramic, X7R, 10 V, surface mount.

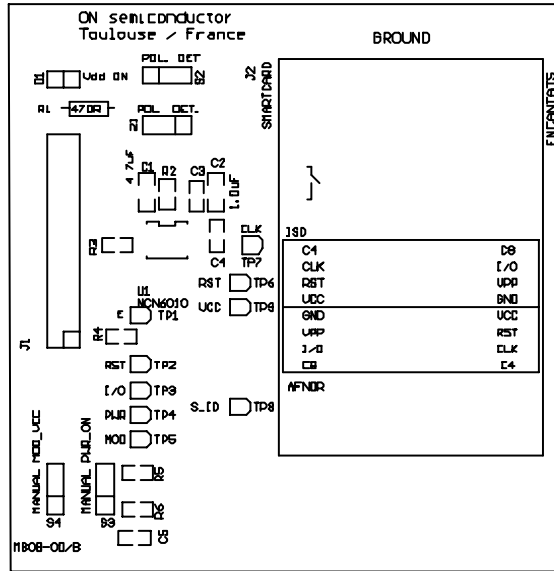


Figure 15. Engineering Test Board Silk Layer

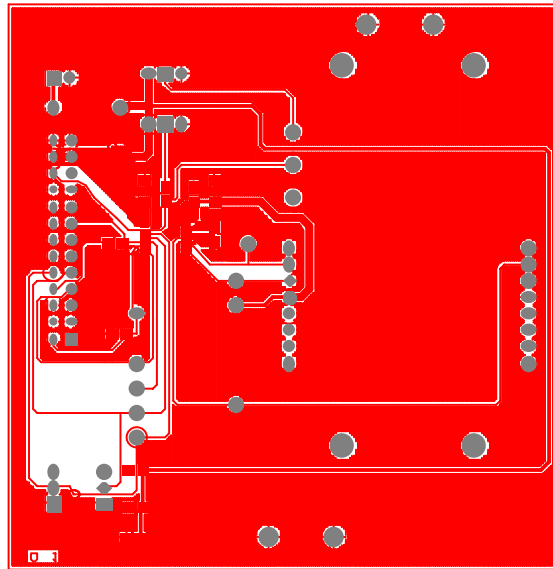
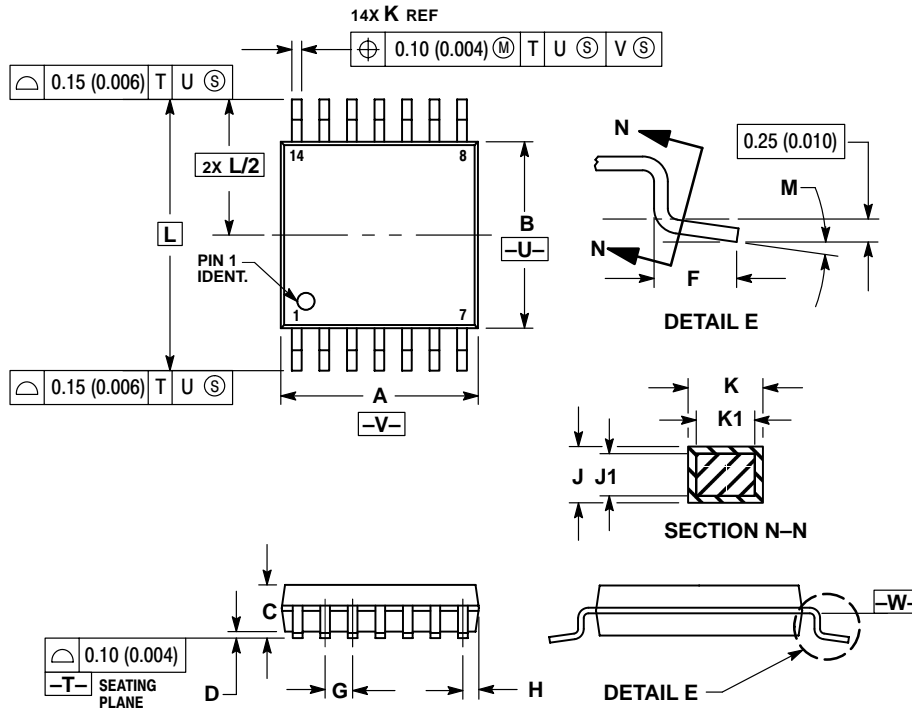


Figure 16. Engineering Test Board Top Layer

# NCN6010

## PACKAGE DIMENSIONS

### TSSOP-14 CASE 948G-01 ISSUE O



#### NOTES:

1. DIMENSIONING AND TOLERANCING PER ANSI Y14.5M, 1982.
2. CONTROLLING DIMENSION: MILLIMETER.
3. DIMENSION A DOES NOT INCLUDE MOLD FLASH, PROTRUSIONS OR GATE BURRS. MOLD FLASH OR GATE BURRS SHALL NOT EXCEED 0.15 (0.006) PER SIDE.
4. DIMENSION B DOES NOT INCLUDE INTERLEAD FLASH OR PROTRUSION. INTERLEAD FLASH OR PROTRUSION SHALL NOT EXCEED 0.25 (0.010) PER SIDE.
5. DIMENSION K DOES NOT INCLUDE DAMBAR PROTRUSION. ALLOWABLE DAMBAR PROTRUSION SHALL BE 0.08 (0.003) TOTAL IN EXCESS OF THE K DIMENSION AT MAXIMUM MATERIAL CONDITION.
6. TERMINAL NUMBERS ARE SHOWN FOR REFERENCE ONLY.
7. DIMENSION A AND B ARE TO BE DETERMINED AT DATUM PLANE -W-.

| DIM | MILLIMETERS |      | INCHES    |       |
|-----|-------------|------|-----------|-------|
|     | MIN         | MAX  | MIN       | MAX   |
| A   | 4.90        | 5.10 | 0.193     | 0.200 |
| B   | 4.30        | 4.50 | 0.169     | 0.177 |
| C   | ---         | 1.20 | ---       | 0.047 |
| D   | 0.05        | 0.15 | 0.002     | 0.006 |
| F   | 0.50        | 0.75 | 0.020     | 0.030 |
| G   | 0.65 BSC    |      | 0.026 BSC |       |
| H   | 0.50        | 0.60 | 0.020     | 0.024 |
| J   | 0.09        | 0.20 | 0.004     | 0.008 |
| J1  | 0.09        | 0.16 | 0.004     | 0.006 |
| K   | 0.19        | 0.30 | 0.007     | 0.012 |
| K1  | 0.19        | 0.25 | 0.007     | 0.010 |
| L   | 6.40 BSC    |      | 0.252 BSC |       |
| M   | 0°          | 8°   | 0°        | 8°    |

ON Semiconductor and are trademarks of Semiconductor Components Industries, LLC (SCILLC). SCILLC reserves the right to make changes without further notice to any products herein. SCILLC makes no warranty, representation or guarantee regarding the suitability of its products for any particular purpose, nor does SCILLC assume any liability arising out of the application or use of any product or circuit, and specifically disclaims any and all liability, including without limitation special, consequential or incidental damages. "Typical" parameters which may be provided in SCILLC data sheets and/or specifications can and do vary in different applications and actual performance may vary over time. All operating parameters, including "Typicals" must be validated for each customer application by customer's technical experts. SCILLC does not convey any license under its patent rights nor the rights of others. SCILLC products are not designed, intended, or authorized for use as components in systems intended for surgical implant into the body, or other applications intended to support or sustain life, or for any other application in which the failure of the SCILLC product could create a situation where personal injury or death may occur. Should Buyer purchase or use SCILLC products for any such unintended or unauthorized application, Buyer shall indemnify and hold SCILLC and its officers, employees, subsidiaries, affiliates, and distributors harmless against all claims, costs, damages, and expenses, and reasonable attorney fees arising out of, directly or indirectly, any claim of personal injury or death associated with such unintended or unauthorized use, even if such claim alleges that SCILLC was negligent regarding the design or manufacture of the part. SCILLC is an Equal Opportunity/Affirmative Action Employer.

## PUBLICATION ORDERING INFORMATION

### NORTH AMERICA Literature Fulfillment:

Literature Distribution Center for ON Semiconductor  
P.O. Box 5163, Denver, Colorado 80217 USA  
Phone: 303-675-2175 or 800-344-3860 Toll Free USA/Canada  
Fax: 303-675-2176 or 800-344-3867 Toll Free USA/Canada  
Email: ONlit@hibbertco.com  
Fax Response Line: 303-675-2167 or 800-344-3810 Toll Free USA/Canada

### N. American Technical Support: 800-282-9855 Toll Free USA/Canada

### EUROPE: LDC for ON Semiconductor – European Support

German Phone: (+1) 303-308-7140 (Mon-Fri 2:30pm to 7:00pm CET)  
Email: ONlit-german@hibbertco.com  
French Phone: (+1) 303-308-7141 (Mon-Fri 2:00pm to 7:00pm CET)  
Email: ONlit-french@hibbertco.com  
English Phone: (+1) 303-308-7142 (Mon-Fri 12:00pm to 5:00pm GMT)  
Email: ONlit@hibbertco.com

### EUROPEAN TOLL-FREE ACCESS\*: 00-800-4422-3781

\*Available from Germany, France, Italy, UK, Ireland

### CENTRAL/SOUTH AMERICA:

Spanish Phone: 303-308-7143 (Mon-Fri 8:00am to 5:00pm MST)  
Email: ONlit-spanish@hibbertco.com  
Toll-Free from Mexico: Dial 01-800-288-2872 for Access –  
then Dial 866-297-9322

### ASIA/PACIFIC: LDC for ON Semiconductor – Asia Support

Phone: 1-303-675-2121 (Tue-Fri 9:00am to 1:00pm, Hong Kong Time)  
Toll Free from Hong Kong & Singapore:  
001-800-4422-3781  
Email: ONlit-asia@hibbertco.com

### JAPAN: ON Semiconductor, Japan Customer Focus Center

4-32-1 Nishi-Gotanda, Shinagawa-ku, Tokyo, Japan 141-0031  
Phone: 81-3-5740-2700  
Email: r14525@onsemi.com

### ON Semiconductor Website: <http://onsemi.com>

For additional information, please contact your local Sales Representative.