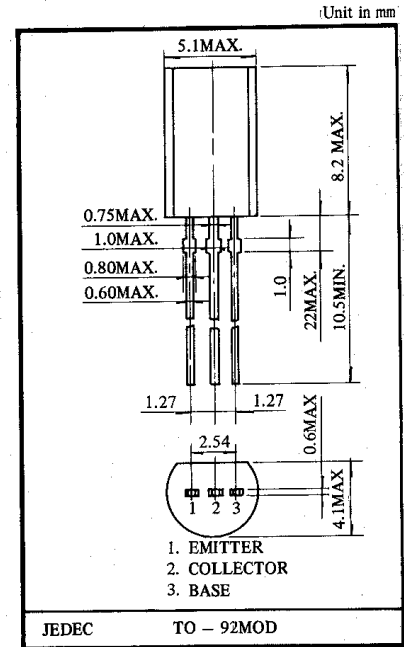


APPLICATIONS

- Black and White TV Video Output Applications.
- High Voltage Switching Applications.
- Driver Stage Audio Amplifier Applications.

FEATURES

- High V_{CE0} : $V_{CE0} = 150$ V
- High f_T : $f_T = 120$ MHz (Typ)
- Low C_{ob} : $C_{ob} = 5.0$ pF (Max)



MAXIMUM RATINGS (Ta=25 °C)

CHARACTERISTIC	SYMBOL	RATING	UNIT	CHARACTERISTIC	SYMBOL	RATING	UNIT
Collector-Base Voltage	V_{CBO}	200	V	Emitter Current	I_E	-50	mA
Collector-Emitter Voltage	V_{CEO}	150	V	Collector Dissipation	P_c	800	mW
Emitter-Base Voltage	V_{EBO}	5	V	Junction Temperature	T_j	150	°C
Collector Current	I_c	50	mA	Storage Temperature	T_{stg}	-55~150	°C

ELECTRICAL CHARACTERISTICS (Ta=25 °C)

CHARACTERISTIC	SYMBOL	TEST CONDITION	MIN.	TYP.	MAX.	UNIT
Collector Cutoff Current	I_{CBO}	$V_{CB} = 200$ V, $I_E = 0$	-	-	0.1	μ A
Emitter Cutoff Current	I_{EBO}	$V_{EB} = 5$ V, $I_C = 0$	-	-	0.1	μ A
DC Current Gain	h_{FE}	$V_{CE} = 5$ V, $I_C = 10$ mA	70	-	240	
Collector-Emitter Saturation Voltage	$V_{CE(sat)}$	$I_C = 10$ mA, $I_B = 1$ mA	-	-	0.5	V
Base-Emitter Saturation Voltage	$V_{BE(sat)}$	$I_C = 10$ mA, $I_B = 1$ mA	-	-	1	V
Transition Frequency	f_T	$V_{CE} = 30$ V, $I_C = 10$ mA	-	120	-	MHz
Collector Output Capacitance	C_{ob}	$V_{CB} = 10$ V, $I_E = 0$, $f = 1$ MHz	-	3.5	5	pF

NOTE: According to h_{FE} , Classified as follows.

0	70-140	Y	120-240
---	--------	---	---------

This datasheet has been downloaded from:

www.DatasheetCatalog.com

Datasheets for electronic components.