

# Ceramic Low Pass Filter

DC to 1450 MHz

**NEW!**  
**LFCN-1450**



**BLUE CELL™**

CASE STYLE: FV1206

Model	Price	Qty.
LFCN-1450	\$2.99	(10-49)
LFCN-1450D	\$3.49	(10-49)

## Maximum Ratings

Operating Temperature	-55°C to 100°C
Storage Temperature	-55°C to 100°C
RF Power Input*	10W max. at 25°C
DC Current Input to Output	0.5A max. at 25°C

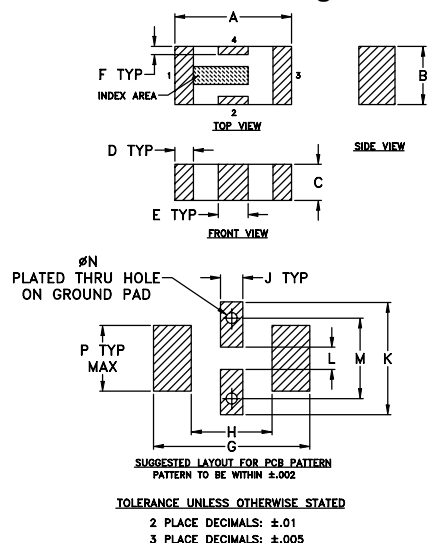
\*Passband rating, derate linearly to 3.5W at 100°C ambient.

## Pin Connections

RF IN	1**
RF OUT	3**
GROUND	2,4

\*\*RF IN & RF OUT can be interchanged

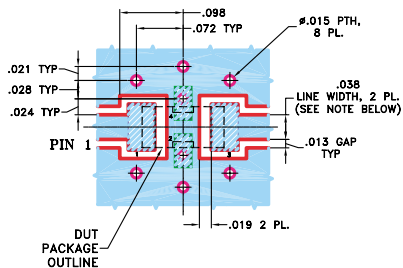
## Outline Drawing



## Outline Dimensions (inch)

A	B	C	D	E	F	G	H	J	K	L	M	N	P	wt
.126	.063	.037	.020	.032	.009	.169	.087	.024	.122	.024	.087	.012	.071	grams
3.20	1.60	0.94	0.51	0.81	0.23	4.29	2.21	0.61	3.10	0.61	2.21	0.30	1.80	.020

**Demo Board MCL P/N: TB-270**  
**Suggested PCB Layout (PL-137)**



NOTE: 1. TRACE WIDTH IS SHOWN FOR ROGERS RO4350 WITH DIELECTRIC THICKNESS .020" ± .0015". COPPER: 1/2 OZ. EACH SIDE. FOR OTHER MATERIALS TRACE WIDTH MAY NEED TO BE MODIFIED.  
2. BOTTOM SIDE OF THE PCB IS CONTINUOUS GROUND PLANE.

- DENOTES PCB COPPER LAYOUT
- DENOTES COPPER LAND PATTERN FREE OF SOLDERMASK

## Features

- excellent power handling, 10W
- small size
- 7 sections
- temperature stable
- patent pending

## Applications

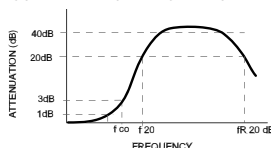
- harmonic rejection
- VHF/UHF transmitters/receivers
- lab use

## Low Pass Filter Electrical Specifications<sup>1</sup> (T<sub>AMB</sub>=25°C)

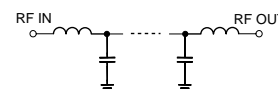
MODEL NO.	PASSBAND (MHz) (loss < 1 dB) Max.	f <sub>co</sub> , MHz Nom. (loss 3 dB) Typ.	STOP BAND (MHz) (loss, dB)			VSWR (:1)		NO. OF SECTIONS
			f 20 Min.	30 Typ.	f <sub>r</sub> 20 Typ.	Stopband Typ.	Passband Typ.	
LFCN-1450	DC-1450	1825	2025	2050-6600	6700	20	1.2	7

1. For Applications requiring DC voltage to be applied to the Input or output, use LFCN-1450D (DC Resistance to ground is 100 Mohms min.)

## typical frequency response

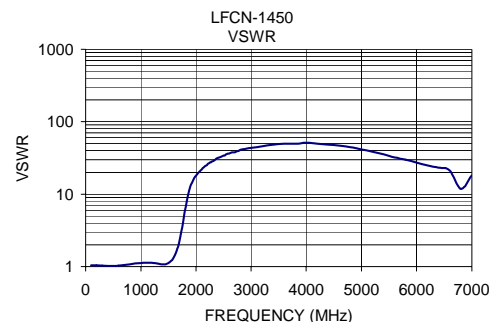
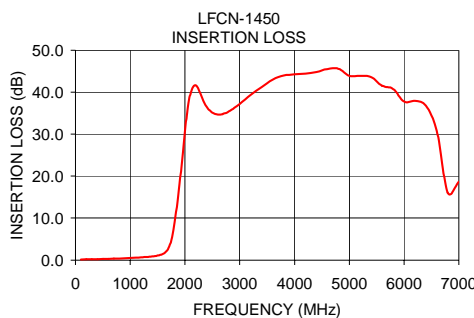


## schematic



## Typical Performance Data at 25°C

Frequency (MHz)	Insertion Loss (dB)	VSWR (:1)
100.00	0.10	1.03
1000.00	0.50	1.12
1400.00	0.86	1.07
1600.00	1.49	1.35
1700.00	2.90	2.22
1800.00	8.10	5.85
2025.00	33.68	18.90
2050.00	36.32	19.98
2500.00	35.12	34.07
2700.00	34.84	37.77
3000.00	37.19	43.44
5000.00	43.89	41.37
6600.00	30.75	21.20
6800.00	16.06	11.85
7000.00	18.67	18.11



**Mini-Circuits®**

Distribution Centers NORTH AMERICA 800-654-7949 • 417-335-5935 • Fax 417-335-5945 • EUROPE 44-1252-832600 • Fax 44-1252-837010

Mini-Circuits ISO 9001 & ISO 14001 Certified

INTERNET <http://www.minicircuits.com>

P.O. Box 350166, Brooklyn, New York 11235-0003 (718) 934-4500 Fax (718) 332-4661

REV. B  
M96263  
LFCN-1450  
ED-11960/2  
AD/CP/AM  
050113