

AS1970 - AS1975

Low-Voltage Single/Dual/Quad Comparators

Product Brief

1 General Description

The AS1970 - AS1975 are single/dual/quad comparators that operate with supplies from 2.5 to 3.6V making them perfect for all 3 volt applications. The comparators can also operate with dual supplies (± 1.25 to $\pm 1.8V$), and require very little supply current ($8.5\mu A$) with minimal propagation delay (300ns).

Low input bias current ($1.0pA$, typ), low input offset voltage ($0.5mV$, typ), and internal hysteresis ($3mV$) make these comparators ideal for low-power single-cell applications including power-management and power-monitoring systems.

The comparators are available as the standard products listed in Table 1.

Table 1. Standard Products

Model	Output Type
AS1970/AS1972/AS1974	Push/Pull
AS1971/AS1973/AS1975	Open-Drain

The AS1970/AS1972/AS1974 push/pull output can sink or source current.

The AS1971/AS1973/AS1975 open-drain output can be pulled beyond V_{CC} to a maximum of $3.6V > V_{EE}$. These open-drain versions are ideal for logic-level translators or bipolar-to-unipolar converters.

Large internal output drivers allow Rail-to-Rail output swings with loads of up to $8mA$.

The AS1970/AS1971 are available in a 5-pin SOT23 package. The AS1972/AS1973 are available in a 8-pin MSOP package. The AS1974/AS1975 are available in a 14-pin TSSOP package.

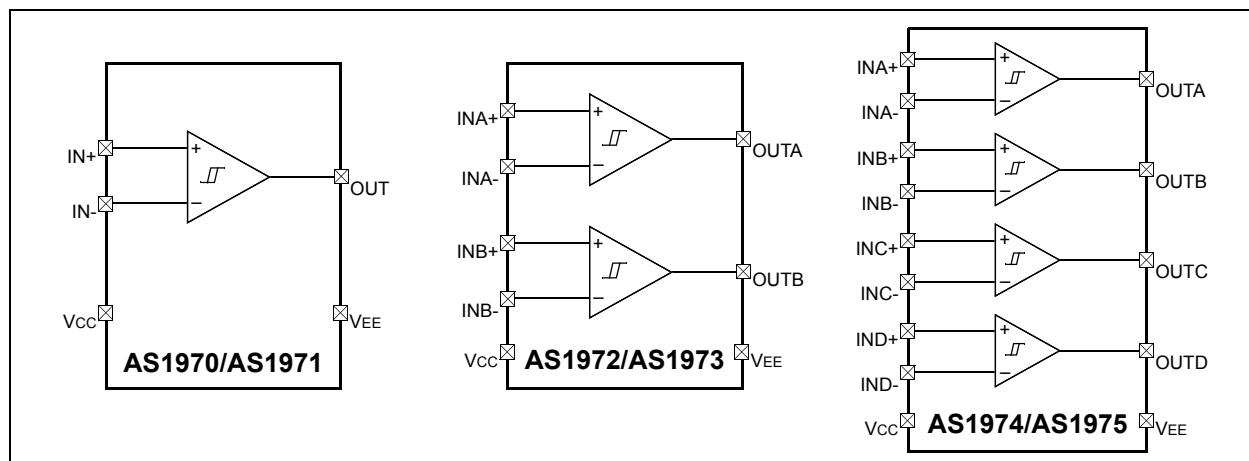
2 Key Features

- CMOS Push/Pull Output Sinks and Sources $8mA$ (AS1970/AS1972/AS1974)
- CMOS Open-Drain Output Voltage Extends Beyond V_{CC} (AS1971/AS1973/AS1975)
- Quiescent Supply Current: $8.5\mu A$ per Comparator
- Internal Hysteresis: $3mV$
- Single-Supply Operation: 2.5 to 3.6V
- Common-Mode Input Voltage Range Extends $250mV$ Above the Rails
- Low Propagation Delay: 300ns
- Minimized Overall Power Consumption
- Supply Current @1MHz Switching Frequency: $80\mu A$
- No Phase Reversal for Overdriven Inputs
- Package Types:
 - 5-pin SOT23 – AS1970/AS1971
 - 8-pin MSOP – AS1972/AS1973
 - 14-pin TSSOP – AS1974/AS1975

3 Applications

The devices are ideal for battery-powered systems, mobile communication devices, zero-crossing detectors, window comparators, threshold detectors/discriminators, ground/supply-sensing applications, IR receivers or any other space-limited application with low power-consumption requirements.

Figure 1. Block Diagrams



Copyrights

Copyright © 1997-2006, austriamicrosystems AG, Schloss Premstaetten, 8141 Unterpremstaetten, Austria-Europe. Trademarks Registered ®. All rights reserved. The material herein may not be reproduced, adapted, merged, translated, stored, or used without the prior written consent of the copyright owner.

All products and companies mentioned are trademarks or registered trademarks of their respective companies.

Disclaimer

Devices sold by austriamicrosystems AG are covered by the warranty and patent indemnification provisions appearing in its Term of Sale. austriamicrosystems AG makes no warranty, express, statutory, implied, or by description regarding the information set forth herein or regarding the freedom of the described devices from patent infringement. austriamicrosystems AG reserves the right to change specifications and prices at any time and without notice. Therefore, prior to designing this product into a system, it is necessary to check with austriamicrosystems AG for current information. This product is intended for use in normal commercial applications. Applications requiring extended temperature range, unusual environmental requirements, or high reliability applications, such as military, medical life-support or life-sustaining equipment are specifically not recommended without additional processing by austriamicrosystems AG for each application. For shipments of less than 100 parts the manufacturing flow might show deviations from the standard production flow, such as test flow or test location.

The information furnished here by austriamicrosystems AG is believed to be correct and accurate. However, austriamicrosystems AG shall not be liable to recipient or any third party for any damages, including but not limited to personal injury, property damage, loss of profits, loss of use, interruption of business or indirect, special, incidental or consequential damages, of any kind, in connection with or arising out of the furnishing, performance or use of the technical data herein. No obligation or liability to recipient or any third party shall arise or flow out of austriamicrosystems AG rendering of technical or other services.

Contact Information

Headquarters

austriamicrosystems AG
A-8141 Schloss Premstaetten, Austria

Tel: +43 (0) 3136 500 0

Fax: +43 (0) 3136 525 01

e-mail: info@austriamicrosystems.com

For Sales Offices, Distributors and Representatives, please visit:

<http://www.austriamicrosystems.com>

austriamicrosystems – a leap ahead