
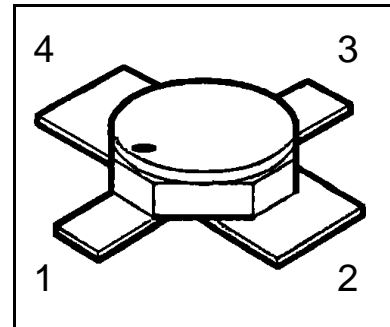


## HiRel/NPN Silicon RF Transistor

- **HiRel Discrete and Microwave Semiconductor**
- For low noise, high-gain broadband amplifiers at collector currents from 2mA to 30mA.
- Hermetically sealed microwave package
- $f_T = 8$  GHz  
F = 2.3 dB at 2 GHz
-  **esa** qualified
- ESA/SCC Detail Spec.  
No.: 5611/006



**ESD:** Electrostatic discharge sensitive device, observe handling precautions!

Type	Marking	Ordering Code	Pin Configuration				Package
			C	E	B	E	
BFY183 (ql)	-	see below	C	E	B	E	Micro-X1

(ql) Quality Level:	P: Professional Quality,	Ordering Code:	Q62702F1609
	H: High Rel Quality,	Ordering Code:	on request
	S: Space Quality,	Ordering Code:	on request
	ES: ESA Space Quality,	Ordering Code:	Q62702F1713

(see order instructions for ordering example)

**Maximum Ratings**

Parameter	Symbol	Values	Unit
Collector-emitter voltage	$V_{CEO}$	12	V
Collector-emitter voltage, $V_{BE}=0$	$V_{CES}$	20	V
Collector-base voltage	$V_{CBO}$	20	V
Emitter-base voltage	$V_{EBO}$	2	V
Collector current	$I_C$	65	mA
Base current	$I_B$	5 <sup>1.)</sup>	mA
Total power dissipation, $T_S \leq 99^\circ\text{C}$ <sup>2.)</sup>	$P_{tot}$	450	mW
Junction temperature	$T_j$	200	$^\circ\text{C}$
Operating temperature range	$T_{op}$	-65...+200	$^\circ\text{C}$
Storage temperature range	$T_{stg}$	-65...+200	$^\circ\text{C}$

**Thermal Resistance**

Junction-soldering point <sup>2.)</sup>	$R_{th JS}$	< 225	K/W
---	-------------	-------	-----

**Notes.:**

- 1) The maximum permissible base current for  $V_{FBE}$  measurements is 20mA (spot-measurement duration < 1s)
- 2)  $T_S$  is measured on the collector lead at the soldering point to the pcb.

**Electrical Characteristics**

at  $T_A=25^\circ\text{C}$ ; unless otherwise specified

Parameter	Symbol	Values			Unit
		min.	typ.	max.	

**DC Characteristics**

Collector-base cutoff current $V_{CB} = 20\text{ V}, I_E = 0$	$I_{CBO}$	-	-	100	$\mu\text{A}$
Collector-emitter cutoff current $V_{CE} = 12\text{ V}, I_B = 0,3\mu\text{A}$ <sup>1.)</sup>	$I_{CEX}$	-	-	300	$\mu\text{A}$
Collector-base cutoff current $V_{CB} = 10\text{ V}, I_E = 0$	$I_{CBO}$	-	-	50	nA
Emitter base cutoff current $V_{EB} = 2\text{ V}, I_C = 0$	$I_{EBO}$	-	-	25	$\mu\text{A}$
Emitter base cutoff current $V_{EB} = 1\text{ V}, I_C = 0$	$I_{EBO}$	-	-	0.5	$\mu\text{A}$

**Notes:**

- 1.) This Test assures  $V(BR)_{CE0} > 12\text{V}$

**Electrical Characteristics (continued)**

Parameter	Symbol	Values			Unit
		min.	typ.	max.	
<b>DC Characteristics</b>					
Base-Emitter forward voltage $I_E = 30 \text{ mA}, I_C = 0$	$V_{FBE}$	-	-	1	V
DC current gain $I_C = 5 \text{ mA}, V_{CE} = 6 \text{ V}$	$h_{FE}$	55	90	160	-
<b>AC Characteristics</b>					
Transition frequency $I_C = 20 \text{ mA}, V_{CE} = 5 \text{ V}, f = 500 \text{ MHz}$ $I_C = 25 \text{ mA}, V_{CE} = 8 \text{ V}, f = 500 \text{ MHz}$	$f_T$	6,5 -	7.5 8	- -	GHz
Collector-base capacitance $V_{CB} = 10 \text{ V}, V_{BE} = v_{be} = 0, f = 1 \text{ MHz}$	$C_{CB}$	-	0.32	0.44	pF
Collector-emitter capacitance $V_{CE} = 10 \text{ V}, V_{BE} = v_{be} = 0, f = 1 \text{ MHz}$	$C_{CE}$	-	0.34	-	pF
Emitter-base capacitance $V_{EB} = 0.5 \text{ V}, V_{CB} = v_{cb} = 0, f = 1 \text{ MHz}$	$C_{EB}$	-	1.1	1.4	pF
Noise Figure $I_C = 8 \text{ mA}, V_{CE} = 5 \text{ V}, f = 2 \text{ GHz},$ $Z_S = Z_{Sopt}$	F	-	2.3	2.9	dB
Power gain $I_C = 20 \text{ mA}, V_{CE} = 5 \text{ V}, f = 2 \text{ GHz}$ $Z_S = Z_{Sopt}, Z_L = Z_{Lopt}$	$G_{ma}^{1)}$	12.5	14	-	dB
Transducer gain $I_C = 20 \text{ mA}, V_{CE} = 5 \text{ V}, f = 2 \text{ GHz}$ $Z_S = Z_L = 50 \Omega$	$ S_{21e} ^2$	9	10,5	-	dB
Output Power $I_C = 30 \text{ mA}, V_{CE} = 5 \text{ V}, f = 2 \text{ GHz},$ $P_{IN} = 7 \text{ dBm}$ $Z_S = Z_L = 50 \Omega$	$P_{OUT}$	13.5	14.5	-	dBm

**Notes.:**

$$1) \quad G_{ma} = \left| \frac{S_{21}}{S_{12}} \right| (k - \sqrt{k^2 - 1}), \quad G_{ms} = \left| \frac{S_{21}}{S_{12}} \right|$$

---

**Order Instructions:**

Full type variant including quality level must be specified by the orderer. For *HiRel* Discrete and Microwave Semiconductors the ordering code specifies device family and quality level.

**Ordering Form:**

Ordering Code: Q.....  
BFY183 (ql)  
(ql): Quality Level

**Ordering Example:**

Ordering Code: Q62702F1713  
BFY183 ES  
For BFY193 in ESA Space Quality Level

**Further Informations:**

See our WWW-Pages:

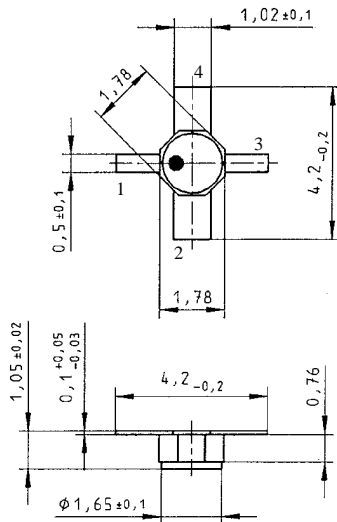
- Wireless Semiconductors

<http://www.infineon.com>

- *HiRel* Discrete and Microwave Semiconductors

[www.infineon.com/cgi/ecrm.dll/ecrm/scripts/prod\\_ov.jsp?oid=16149&cat\\_oid=-8154](http://www.infineon.com/cgi/ecrm.dll/ecrm/scripts/prod_ov.jsp?oid=16149&cat_oid=-8154)

## Micro-X1 Package



Published by Infineon Technologies Wireless, Discretes Products, Marketing, P.O.Box 801709, D-81617 Munich.

© Infineon Technologies AG 1998. All Rights Reserved.

As far as patents or other rights of third parties are concerned, liability is only assumed for components per se, not for applications, processes and circuits implemented within components or assemblies.

The information describes the type of component and shall not be considered as assured characteristics.

Terms of delivery and rights to change design reserved.

For questions on technology, delivery and prices please contact the Offices of Semiconductor Group in Germany or the Infineon Technologies Companies and Representatives worldwide (see address list).

Due to technical requirements components may contain dangerous substances. For information on the type in question please contact your nearest Infineon Technologies Office, Semiconductor Group.

Infineon Technologies Semiconductors is a certified CECC and QS9000 manufacturer (this includes ISO 9000).