

---

## ***Application Note***

---

### **CDB5504 CAPTURE INTERFACE**

By John Lis

#### **INTRODUCTION**

The CDB5504 evaluation board requires a simple modification to interface with the CAPTURE board. The CAPTURE board requires an SCLK input signal to collect data. However, the SCLK pin on the CS5504 is a digital input only. For the CDB5504 to interface with the CAPTURE board, an SCLK signal needs to be created.

One possible solution is to derive the SCLK from the XOUT signal. The frequency of the XOUT pin is within the specifications for the SCLK signal and the serial port can accept a continuous clock. The CAPTURE board is designed to ignore extra clock signals on the SCLK line when using a continuous serial clock.

Using XOUT as the SCLK input signal is a simple modification of the evaluation board. It is easy to implement, requiring no extra components. The following steps describe the modifications.

The source of the SCLK signal is the XOUT pin on the CS5504. Install a jumper on the CS5504 from U1-6 to U1-18. (Make sure that adjustments are made for the CAB5504 adapter board. U1-18 translates to U1-21 on the bottom of the evaluation board.) The 100 k $\Omega$  resistor R25 needs to be removed to reduce the load upon XOUT.

Next the 74HC125 buffer needs to be modified. U3-3 is isolated from the circuit, so there aren't two devices driving the SCLK node. Finally U3-8 is isolated, allowing U3B to be active and able to drive the SCLK output signal to the CAPTURE board. Figure 1 is a schematic for the modified evaluation board.

The following check list summarizes the modifications.

- REMOVE R25
- JUMPER U1-6 to U1-18
- ISOLATE U3-3
- ISOLATE U3-8

### MODIFICATIONS TO THE CDB5504 FOR INTERFACING TO CDBCAPTURE

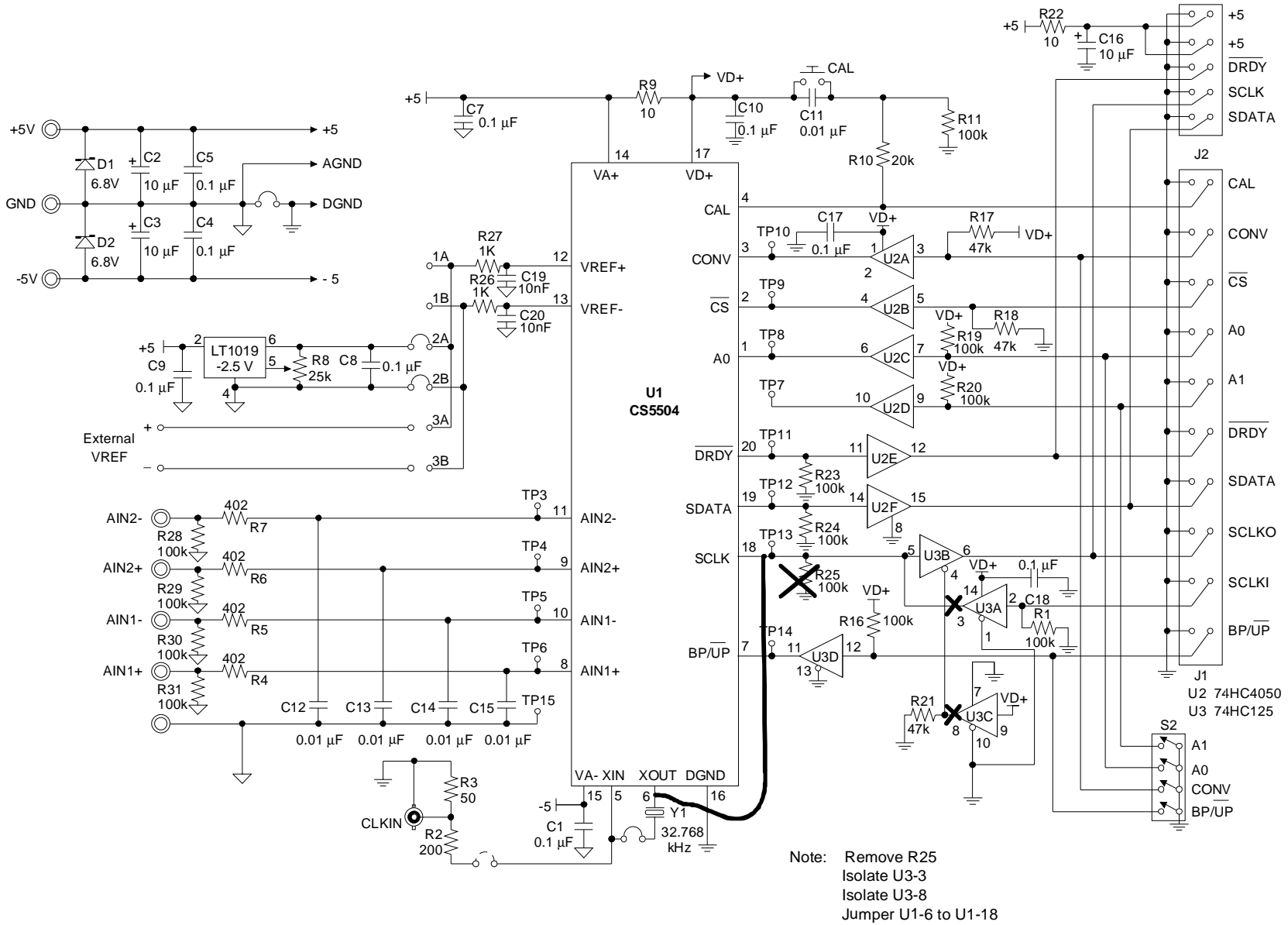


Figure 1. Schematic of CDB5504 Modified for the CAPTURE Interface



• **Notes** •

SMART  
Analog™