

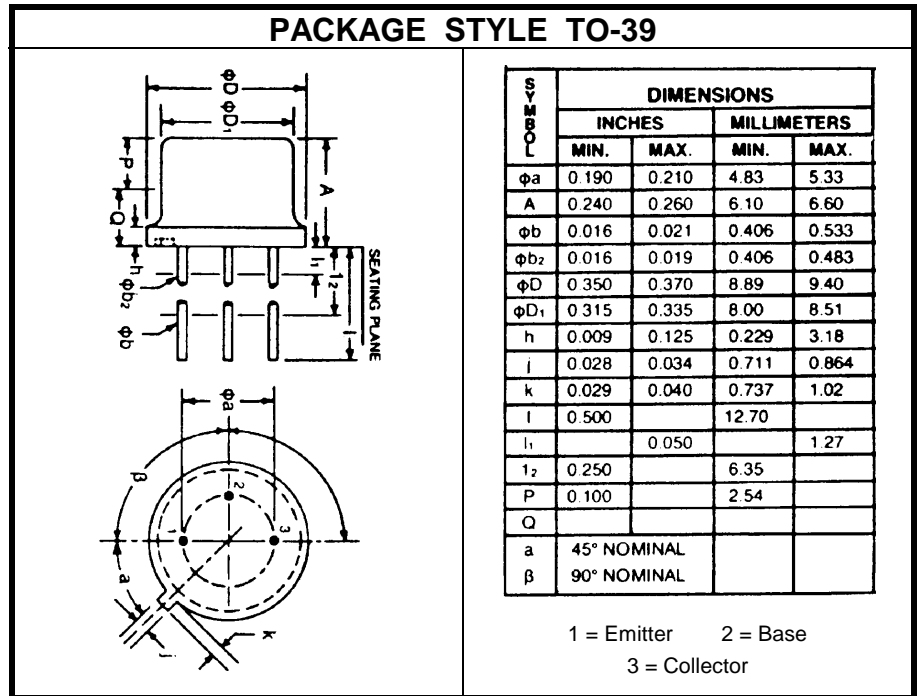
# NPN SILICON HIGH FREQUENCY TRANSISTOR

**DESCRIPTION:**

The **ASI MRF5943C** is a High Frequency Transistor for General Purpose Amplifier Applications.

**MAXIMUM RATINGS**

$I_C$	400 mA
$V_{CEO}$	30 V
$V_{CBO}$	40 V
$V_{EBO}$	3.5 V
$P_{DISS}$	1.0 W @ $T_A = 25^\circ\text{C}$ 3.5 W @ $T_C = 25^\circ\text{C}$
$T_J$	-65 °C to +200 °C
$T_{STG}$	-65 °C to +150 °C
$\theta_{JC}$	125 °C/W


**CHARACTERISTICS**  $T_A = 25^\circ\text{C}$ 

SYMBOL	TEST CONDITIONS		MINIMUM	TYPICAL	MAXIMUM	UNITS
$BV_{CEO}$	$I_C = 5.0\text{ mA}$		30			V
$BV_{CBO}$	$I_C = 1.0\text{ mA}$		40			V
$BV_{EBO}$	$I_E = 100\ \mu\text{A}$		3.5			V
$I_{CBO}$	$V_{CB} = 15\text{ V}$				50	$\mu\text{A}$
$I_{CEO}$	$V_{CE} = 20\text{ V}$				10	$\mu\text{A}$
$h_{FE}$	$V_{CE} = 15\text{ V}$	$I_C = 50\text{ mA}$	25		300	---
$N_F$	$V_{CE} = 15\text{ V}$	$I_C = 35\text{ mA}$ $f = 200\text{ MHz}$		5.5		dB
$G_{U\text{ max}}$	$V_{CE} = 15\text{ V}$	$I_C = 35\text{ mA}$ $f = 200\text{ MHz}$		11.4		dB