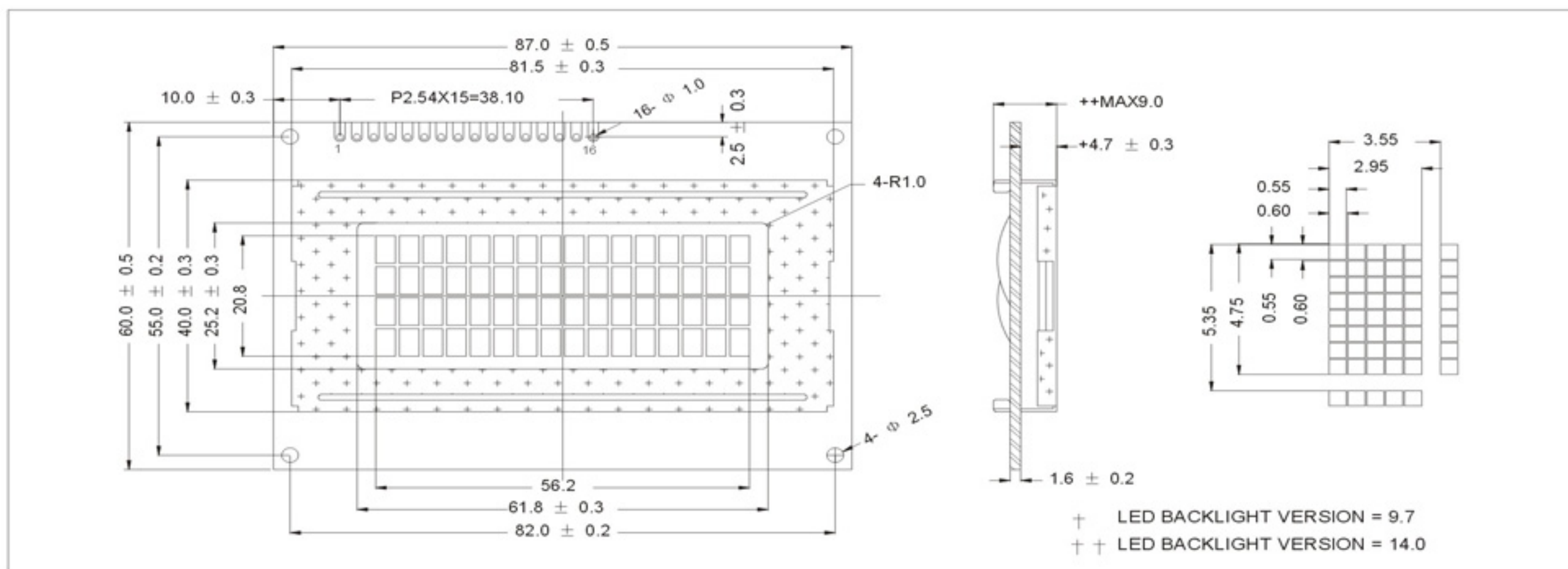


## YMS164-01

16CHAR x 4LINE  
1/16DUTY, 1/5BIAS

### 1 EXTERNAL DIMENSION AND DISPLAY PATTERN



### 2 MECHANICAL DATA

ITEM	SPECIFICATION	UNIT
Module Size(WXHXT)	87.0 x 60.0 x 9.0 (LED:14.0)	mm
Viewing Area(WXH)	61.8 x 25.2	mm
Character Font(WXH)	5 x 7 with Cursor	dots
Character Size(WXH)	2.95 x 4.75	mm
Character Pitch(WXH)	3.55 x 5.35	mm
Dot Size(WXH)	0.55 x 0.55	mm

### 5 ABSOLUTE MAXIMUM RATINGS

PARAMETER	SYMBOL	MIN.	MAX.	UNIT
Supply Voltage Logic	$V_{DD}-V_{SS}$	-0.3	7.0	V
Supply Voltage Driver	$V_{DD}-V_{EE}$	-0.3	13.5	V
Input Voltage	$V_{IH}$	-0.3	$V_{DD}+0.3$	V
Operating Temp.	See page 9			
Storage Temp.	See page 9			

### 3 PIN CONFIGURATION

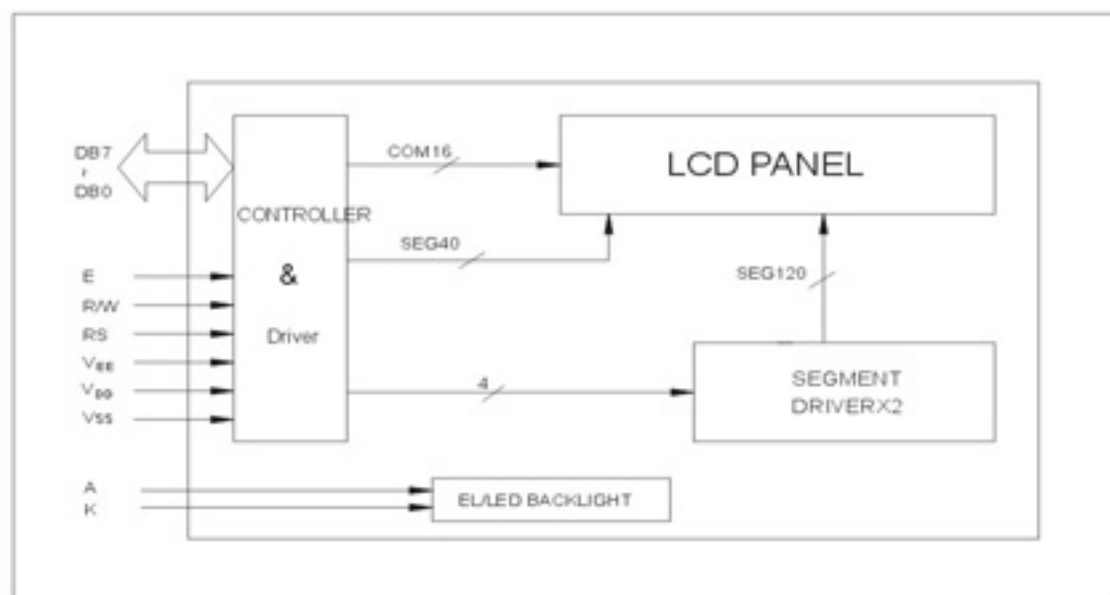
PIN	SYMBOL	SIGNAL DESCRIPTION
1	$V_{SS}$	GND(0V)
2	$V_{DD}$	Power Supply(5V)
3	$V_{EE}$	Supply Voltage LCD Driver
4	RS	Register Select-LOW=Instruction,HIGH=Data
5	R/W	Read/Write LOW=MPU to LCM,HIGH=LCM to MPU
6	E	Eable R/W=LOW:Data are talking over at falling edge R/W=HIGH:Data can be read at E=1
7 to 14	DB <sub>0</sub> to DB <sub>7</sub>	Data Bus-Software Selectable 4 or 8bit Mode
15	A	Anode of LED Unit
16	K	Cathode of LED Unit

### 6 ELECTRICAL CHARACTERISTICS(Ta=25 °C)

ITEM	SYMBOL	CONDITION	SPEC. VALUE			UNIT
			MIN.	TYP.	MAX.	
Supply Voltage (Logic)	$V_{DD}-V_{SS}$		4.5	5.0	5.5	V
Supply Current (Logic)	$I_{DD}$	$V_{DD}=5V$	-	0.8	2.0	mA
Input Voltage	"HIGH"	$V_{IH}$	-	2.2	$V_{DD}$	V
	"LOW"	$V_{IL}$	-	-0.3	0.6	V
Output Voltage	"HIGH"	$V_{OH}$	$I_{OH}=0.2mA$	2.4	-	V
	"LOW"	$V_{OL}$	$I_{OL}=1.2mA$	-	0.4	V
LCD Operating Voltage	$V_{DD}-V_{EE}$	$V_{DD}=5V$ $T_a=25^\circ C$	4.5	4.7	5.0	V
Supply Voltage LCD Drive	$I_{EE}$		-	1.0	1.5	mA

Note(1): ( )Value is high Reliability type  
Note(2): Electro-Optical Characteristics:See page 9.

### 4 BLOCK DIAGRAM



### 7 BACKLIGHTING CHARACTERISTICS(Ta=25 °C)

ITEM	SYMBOL	CONDITION	MIN.	TYP.	MAX.	UNIT
Supply Voltage	$V_{LED}$	-	-	4.2	4.6	V
Power Consumption	$P_{LED}$	$I_F=200 mA$	-	840	-	mW
Luminous	$I_V$	$I_F=200 mA$	-	80	-	cd/m <sup>2</sup>