

SMT POWER INDUCTORS

ASPI-5610-XXX

* RoHS COMPLIANT



5.9 x 5.9 x 1.05mm

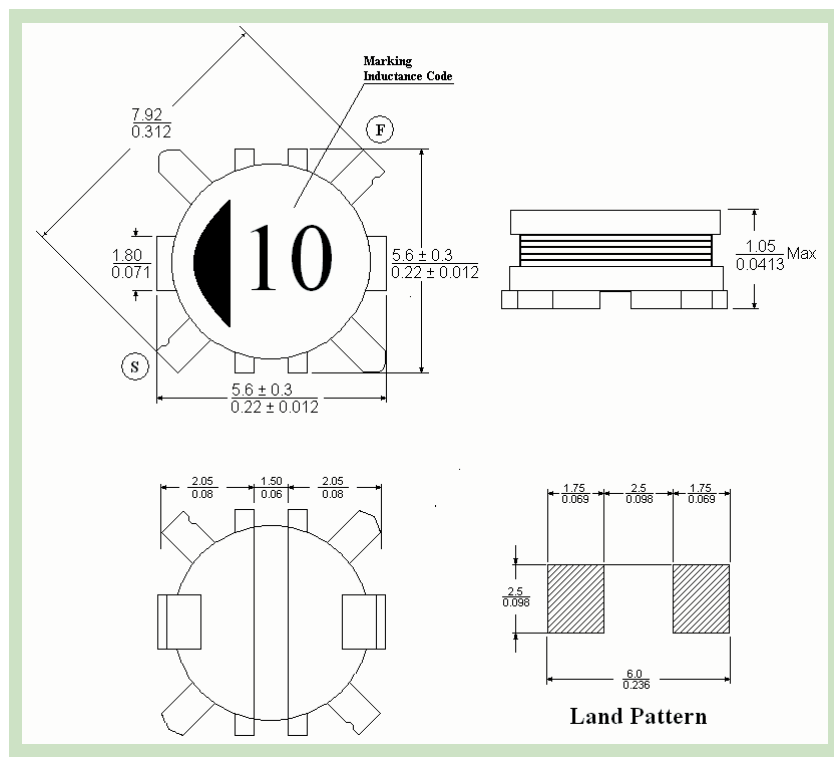
FEATURES & APPLICATIONS:

- Miniature size : Mount area : 5.9x5.9mm, Height : 1.05mm max.
- Available on tape and reel for automatic insertion
- Lead free part available
- Applications : DC to DC converters for cellular phone, LCD driver circuit

STANDARD SPECIFICATIONS:

Part Number	L (μH) ±20%	DCR (Ω) ±20%	Inductance Decrease Current	Temperature Rise Current	Marking
ASPI-5610- 3R3	3.3	0.125	1.30	1.65	◀ 3.3
ASPI-5610- 4R7	4.7	0.163	1.10	1.31	◀ 4.7
ASPI-5610- 6R8	6.8	0.229	0.90	1.08	◀ 6.8
ASPI-5610- 100	10	0.337	0.80	0.86	◀ 10
ASPI-5610- 150	15	0.489	0.65	0.72	◀ 15
ASPI-5610- 220	22	0.734	0.52	0.65	◀ 22
ASPI-5610- 330	33	1.055	0.42	0.54	◀ 33
ASPI-5610- 470	47	1.506	0.36	0.43	◀ 47
ASPI-5610- 680	68	2.634	0.27	0.30	◀ 68

PHYSICAL CHARACTERISTICS:



TECHNICAL INFORMATION:

- Marking: Value, in μH or equivalent
 - Add -M for L tolerance ±20%
 - Add -T for tape and reel
 - L test at 100KHz, 0.1V_{RMS}
 - I_{DC}: L drop 10% typ. from the initial value or ΔT=40°C rise max
 - Operating temperature : -40°C ~ + 85°C
 - Electrical specification @25°C
 - Resistance to solder heat : 260°C . 10 SEC.
- Note: All specifications subject to change without notice.**

PACKAGING INFORMATION:

- Parts are packaged on 13" reels.
5000 parts per reel.