

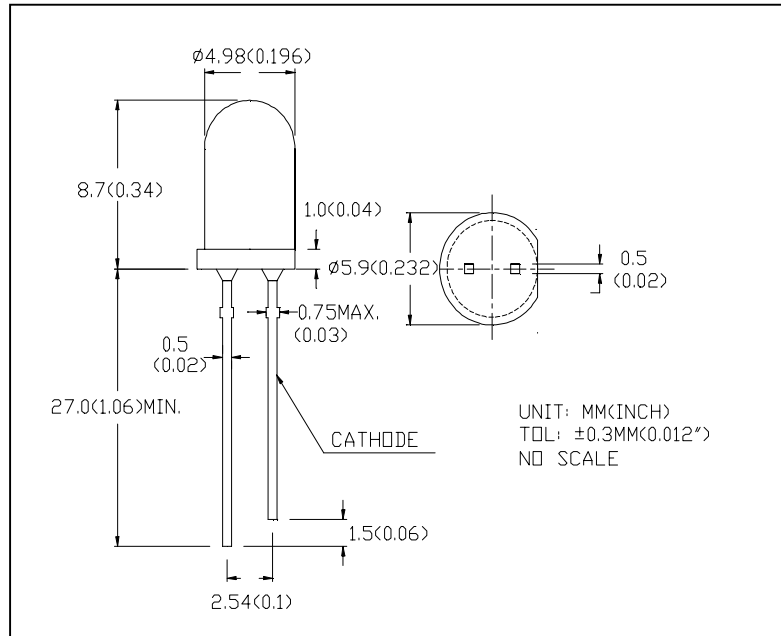
# MICRO ELECTRONICS

**MBB51CAS**  
**MBB51TAS**

**ULTRA HIGH**  
**BRIGHTNESS**  
**BLUE LED LAMP**

## DESCRIPTION

MBB51CAS/MBB51TAS is an ultra high brightness InGaN blue LED lamp with 465~475 nm dominant wavelength encapsulated in a 5mm diameter epoxy package.  
MBB51CAS blue transparent lens.  
MBB51TAS clear transparent lens.



## ABSOLUTE MAXIMUM RATINGS

Power Dissipation @ Ta=25°C	125mW
Forward Current, DC (IF)	30mA
Reverse Voltage	5V
Operating Temperature Range	-20 to +80°C
Storage Temperature Range	-30 to +100°C
Lead Soldering Temperature (1/16" from body)	260°C for 5 sec.

## ELECTRO-OPTICAL CHARACTERISTICS (Ta=25°C)

PARAMETER	SYMBOL	MIN	TYP	MAX	UNIT	CONDITIONS
Forward Voltage	VF		3.6	4.5	V	IF=20mA
Reverse Breakdown Voltage	BVR	5			V	IR=100μA
Luminous Intensity	IV	1000	2000		mcd	IF=20mA
Dominant Wavelength	λ <sub>d</sub>	465	470	475	nm	IF=20mA
Spectral Line Half Width	Δλ		30		nm	IF=20mA
Viewing Angle	2θ 1/2		20		degree	IF=20mA

## CAUTION

REV : B

Static electricity and surge damages the LED ,It is recommended to use a wrist band or anti-eletrostatic glove when handling the LED . All devices,equipment and machinery must be properly grounded.



MICRO ELECTRONICS LTD.

38, Hung To Road, Microtron Building, Kwun Tong, Kowloon, Hong Kong.  
Kwun Tong P.O. Box 69477 Hong Kong. Fax No. 2341 0321 Telex:43510 Micro Hx. Tel: 2343 0181-5

03/6/26